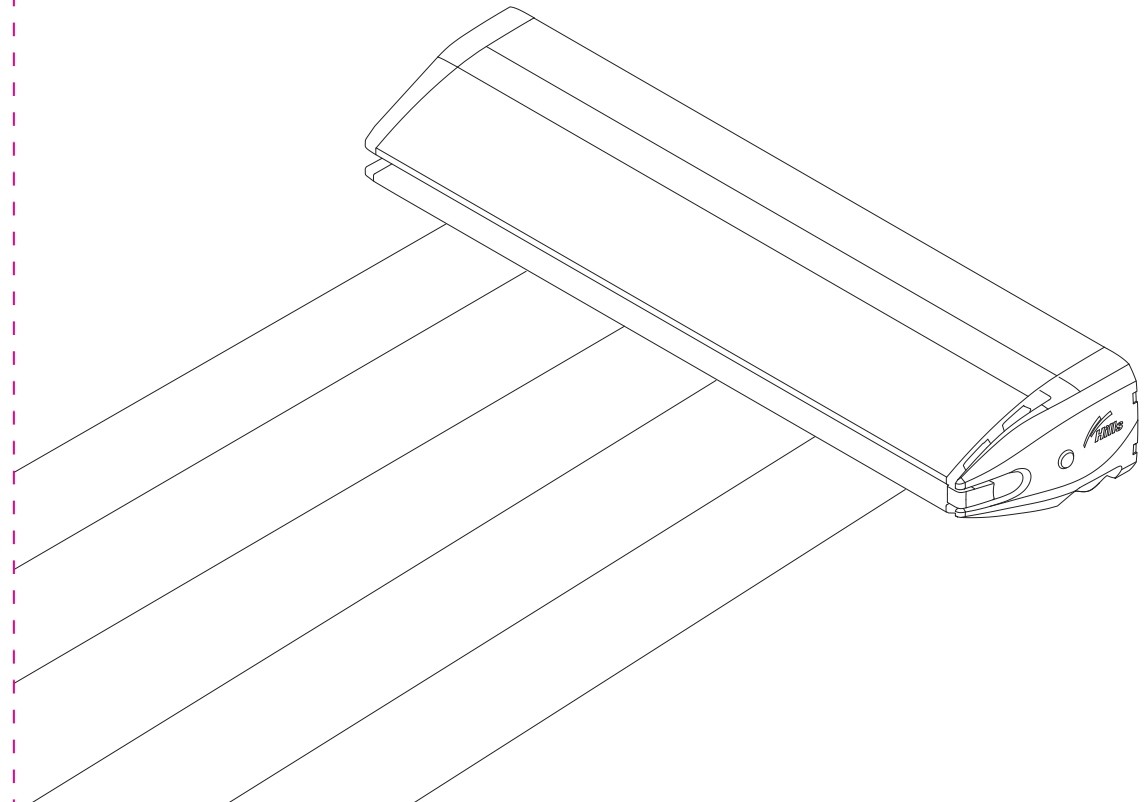




## **4 & 6 Line Retracting Clothesline**

Owner's Manual  
101057 & 101058



# Contacts

We are committed to providing you with complete customer satisfaction. If you have any questions or comments about our products or services please contact your nearest Customer Service Centre during their local business hours:

## Australia

1300 300 564

## New Zealand

0800 021 027

## Email

[hhl.enquiries@amesau.com](mailto:hhl.enquiries@amesau.com)

## Website

[hillshome.com.au](http://hillshome.com.au)

## Consumer Advice

[hillshome.com.au/need-help](http://hillshome.com.au/need-help)

021 442 1540

or visit [www.hills.com.au](http://www.hills.com.au)



AMES Australasia Pty Ltd.

ABN 89 169 427 061

Issue January 2020

# Hills Lifetime Warranty

AMES Australasia Pty Ltd warrants that this Hills product will be free from defects in manufacturing for the lifetime of the original purchaser of the product. This warranty does not extend to plastic hanging line or the surface finish of the product from weathering. If a defect covered by this warranty becomes evident during that period, AMES Australasia Pty Ltd will, at its option, replace the product, supply replacement parts for the product or refund the product. The cost or labour required to install any replacement part or product supplied under a valid warranty claim is not covered.

In the event of a defect covered by this warranty, you should contact the Hills Customer Service Centre using the details below. You will require proof of purchase. Any expenses incurred in making a claim under this warranty are not covered by the warranty.

This warranty does not apply to any defect or damage caused by accident, improper use, abuse, neglect, or unauthorised alteration or repair. This warranty does not apply where the product was not installed in accordance with the product installation instructions. This warranty does not apply to any costs incurred in the installation of the product.

## For products purchased in Australia

Our goods come with guarantees that cannot be excluded under the Australian Consumer Law. You are entitled to a replacement or refund for a major failure and compensation for any other reasonably foreseeable loss or damage. You are also entitled to have the goods repaired or replaced if the goods fail to be of acceptable quality and the failure does not amount to a major failure.

## For products purchased in New Zealand

Our goods come with guarantees that cannot be excluded under the Consumer Guarantees Act. AMES Australasia Pty Ltd will comply with our obligations to you under the Consumer Guarantees Act.

16

AMES Australasia Pty Ltd.  
ABN 89 169 427 061  
Level 1, 660 Doncaster Road,  
Doncaster, VIC 3108 Australia

# Introduction

## Congratulations

Congratulations on the purchase of your new **Hills Retracting Clothesline!**

This product will bring you many years of trouble free and efficient drying. It is important that you read this Owner's Manual thoroughly before installation and use to benefit from all the design features and enjoy safe use of the product. Thank you for choosing Hills!

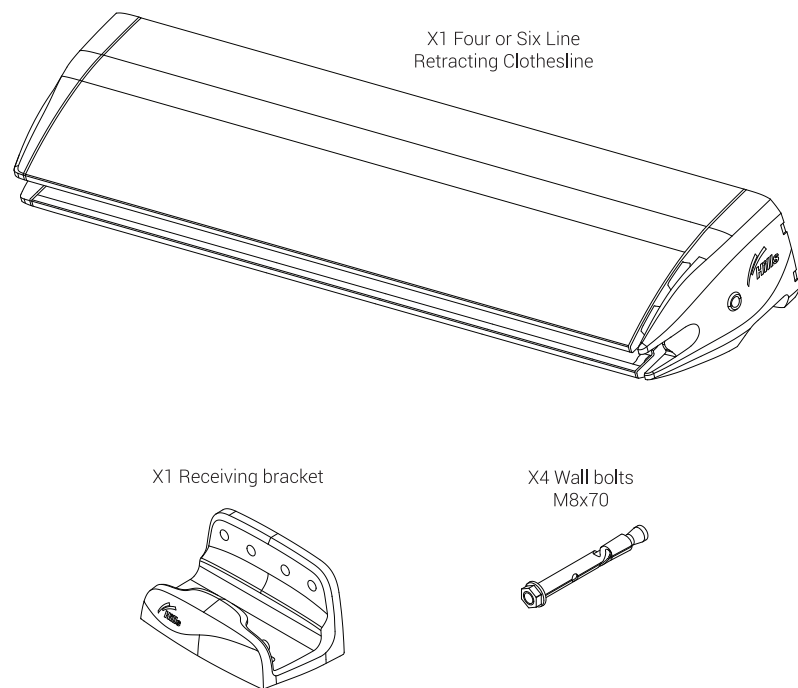
## Warning

- Do not allow children or pets to swing on the Clothesline or items of laundry.
- Do not use for any purpose other than to hang and dry washing.
- Do not use your Clothesline if parts are worn or damaged.
- Do not operate the locking lever when the Retracting Bar is located in the cabinet.
- Do not release the locking lever when there are clothes attached to the lines.
- Do not allow the Retracting Bar and lines to retract uncontrolled, as this may lead to personal injury or property damage. Hold the Retracting Bar securely and walk it back to the cabinet.

1

## Carton contents

Hills Retracting Clothesline.



**WARNING:** Always retract the lines back into the cabinet when the clothesline is not in use. This will protect the lines from weathering and help ensure the clothesline continues to perform over time.

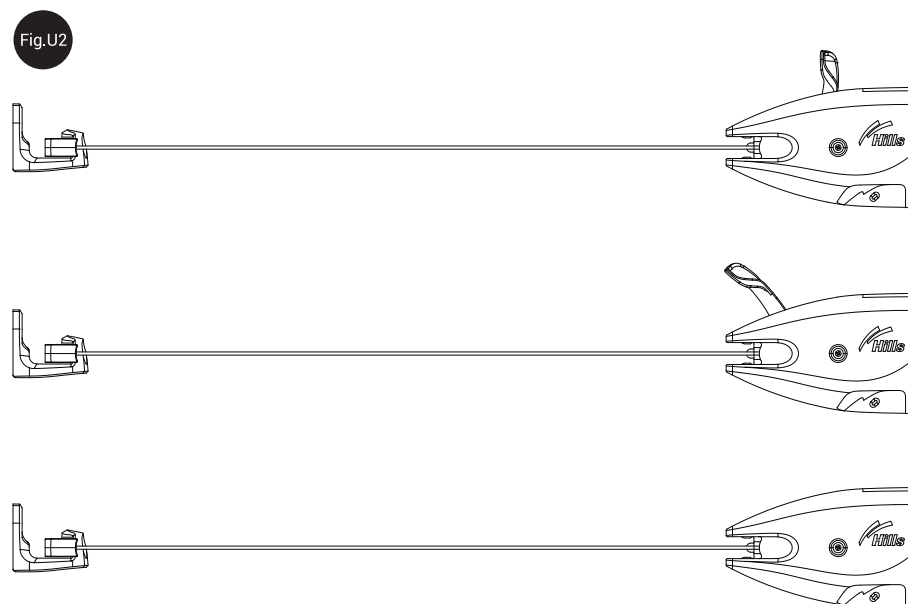
2

### \*Required Materials and Tools (Not included)

- Tape measure
- Spirit level
- Power drill and drill bits
- Phillips head screwdriver

6.2 With the Retracting Bar engaged correctly in the Receiving Bracket, locate the Locking Lever - on the right hand side of the Cabinet.

6.3 Rotate the Locking Lever clockwise from the unlocked position until it locates in the first lock position. This provides normal tension on the lines. Check the product is locked by pulling firmly on the lines. If you require extra tension on your lines, rotate the Locking Lever further, until it locates in the second lock position. (Figure U2)



## Stowing the Retractable Clothesline

6.4 With all clothes and washing removed from the lines, pull out and unlatch the Locking Lever from its locked position. Guide it to the unlocked position.

6.5 The lines are under spring tension. Do not allow the Retracting Bar to retract uncontrolled as this may lead to personal injury or property/product damage. Hold the Retracting Bar securely and walk it back to the cabinet.

15

# Operation

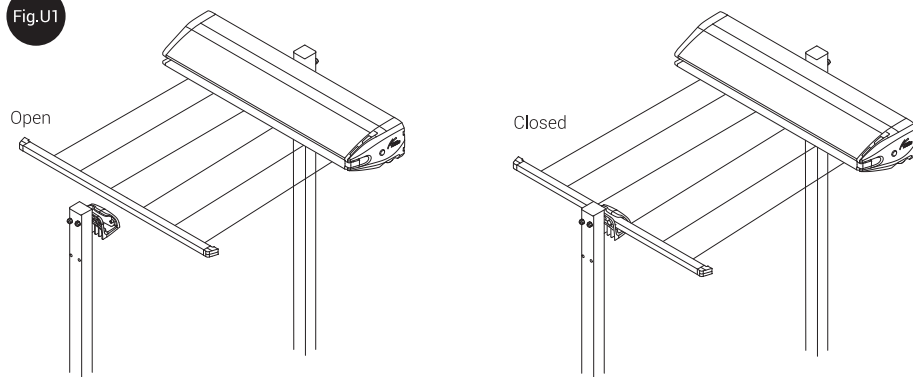
**WARNING:** Do not operate the Locking Lever when the Retracting Bar is located in the Cabinet. Do not release the Locking Lever when there are clothes attached to the lines.

**WARNING:** The lines are under spring tension. Do not allow the Retracting Bar and lines to retract uncontrolled as this may lead to personal injury or property/product damage. Hold the Retracting Bar securely and walk it back to the cabinet.

## Using the Retractable Clothesline

6.1 To extend the clothesline, remove the Retracting Bar from the Cabinet by pulling on the two end caps. Hold them firmly and extend towards the Receiving Bracket. (Figure U1)

Fig.U1



# Mounting Options

## Wall to Wall (See Installation A)



No additional accessories required.

## Wall to Post (See Installation B)



**Requires:**  
1 x Post Kit (Item Code: 80101571)  
**Optional:**  
1 x Ground Socket (Item Code: 80101601)  
(enables the post kit to be removed from the ground when not in use.)

## Post to Wall (See Installation C)



**Requires:**  
1 x Post Kit (Item Code: 80101571)  
1 x Mount Bar (Item Code: 80101588 or 80101595)  
**Optional:**  
1 x Ground Socket (Item Code: 80101601)  
(enables the post kit to be removed from the ground when not in use.)

## Post to Post (See Installation D)



**Requires:**  
2 x Post Kits (Item Code: 80101571)  
1 x Mount Bar (Item Code: 80101588 or 80101595)  
**Optional:**  
2 x Ground Sockets (Item Code: 80101601)  
(enables the post kits to be removed from the ground when not in use.)

### \*Note: Mounting surface

The Cabinet and the Receiving Bracket must only be installed on structurally sound surfaces. If mounting to a cladded surface, ensure the fixings are securely fastened into a solid substrate e.g. wall studs etc. If you're unsure, contact your local hardware store or installer.

### \*Note: Wall mounting fasteners

The supplied wall bolts are for mounting to masonry materials only (e.g. brick, Stone, etc). Do not use these fasteners if mounting to a different surface. Please consult your local hardware store or installer for advice on appropriate fasteners and drill bits to use.

### \*Note: Operating distances

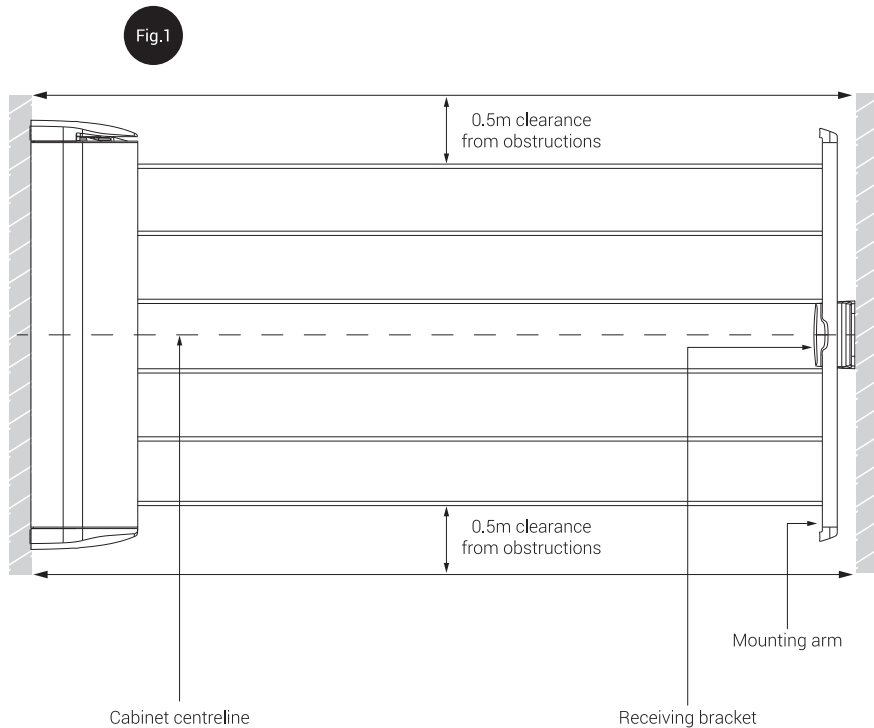
Minimum operating distance is 2m  
Maximum operating distance is 6.75m

# Installation: All Mounting Types

## Selecting a suitable location and installation height

1.1 Select a suitable location for either wall or post mounted installation. This product has been designed to operate between 2m and 6.75m. Ensure the surrounding area is free from obstructions. Always leave approximately 0.5m clearance.

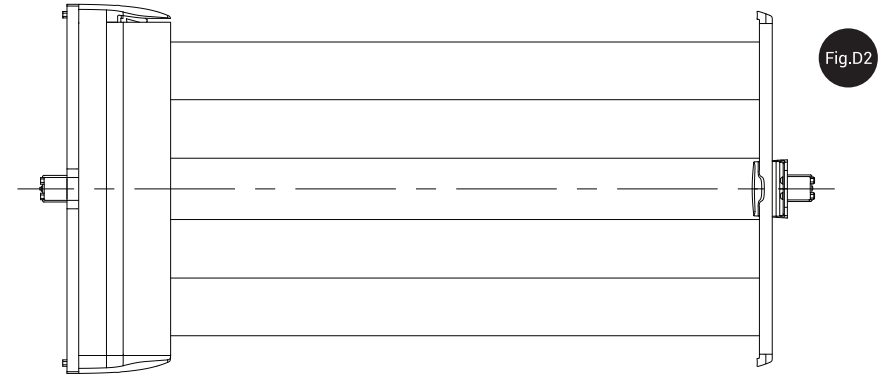
**\*Note:** To prevent misalignment of the Cabinet and Receiving Bracket, ensure that the mounting surfaces or posts are parallel. If not correctly aligned, the line tension of the Hills Retracting Clothesline will be inconsistent once installed. (Figure 1)



4

5.2 Mark out a line between your two Post locations within your allocated site. Using a spirit level, ensure that the line is perfectly straight. (Figure D2)

**\*Note:** To prevent misalignment of the two Posts, ensure that the holes in the Post Assembly are parallel with the line between the two Post locations before concreting. If posts aren't correctly aligned, the line tension of the Hills Retractable Clothesline will be inconsistent once installed.



## Mounting your Cabinet to a Post

**\*Note:** For instructions please refer to page 10, steps 4.1 - 4.4

## Mounting your Receiving Bracket to a Post

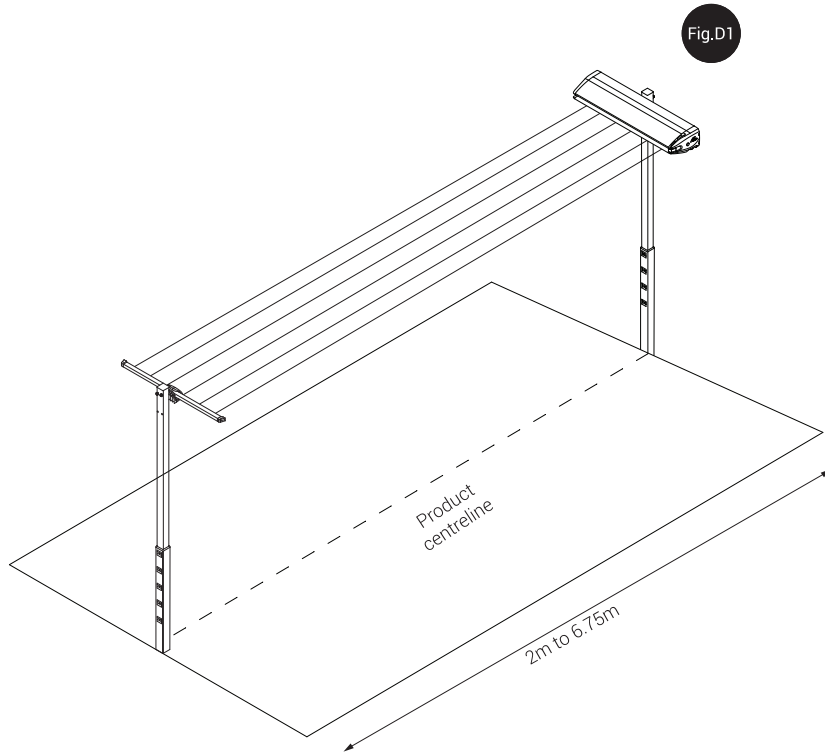
**\*Note:** For instructions please refer to page 9, steps 3.5 - 3.6

13

# Installation D: Post To Post

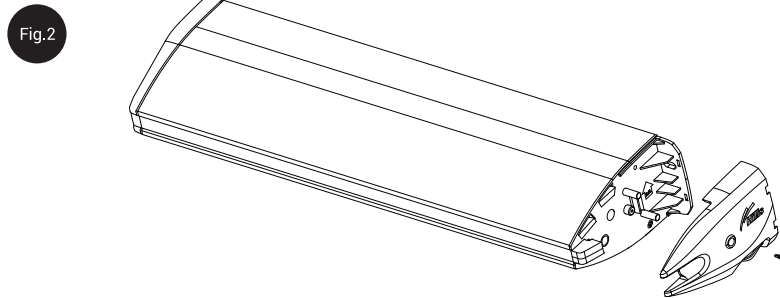
## Before installing

- 5.1 Determine the best location for the installation of your product. (Figure D1)



- 1.2 For all Installations we recommend the operational height for the line is approximately 50mm above the users head height. For all installations, we recommend the line sits approximately 50mm above the users head height.

- 1.3 Remove the End Covers from the Cabinet using a Phillips head screwdriver and ensure the square metal locking rod does not come out of the Cabinet. This allows access to the 2x slots required for all mounting types. Set screws aside for reassembly after installation. (Figure 2)



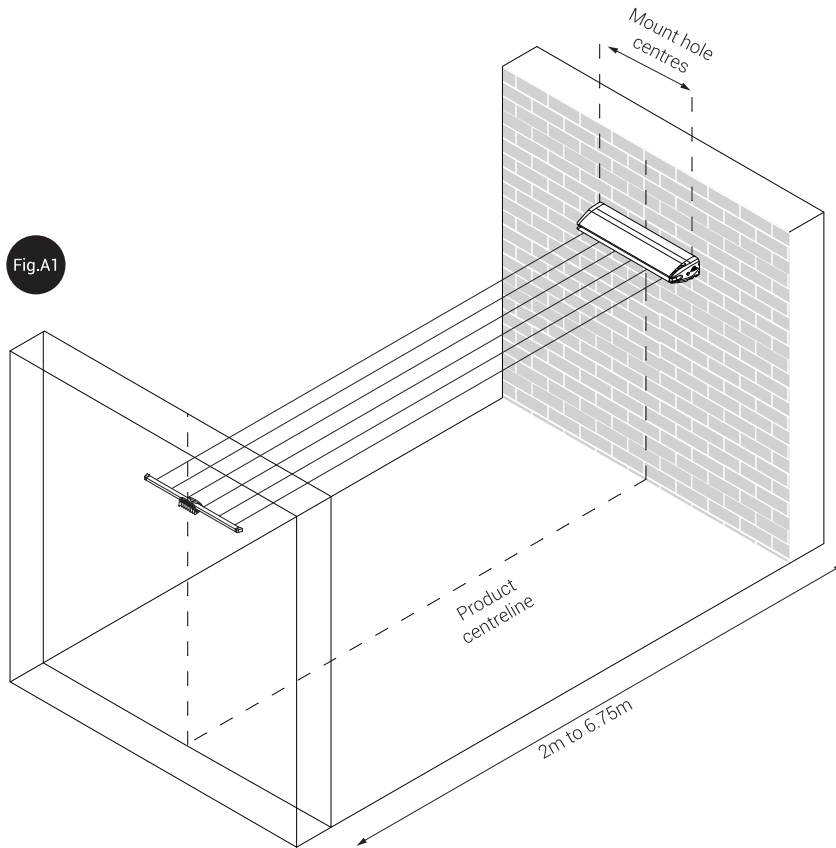
12

5

# Installation A: Wall to Wall

## Mounting your Cabinet to a wall

2.1 Mark out a centreline for your product within your allocated site. (Figure A1)

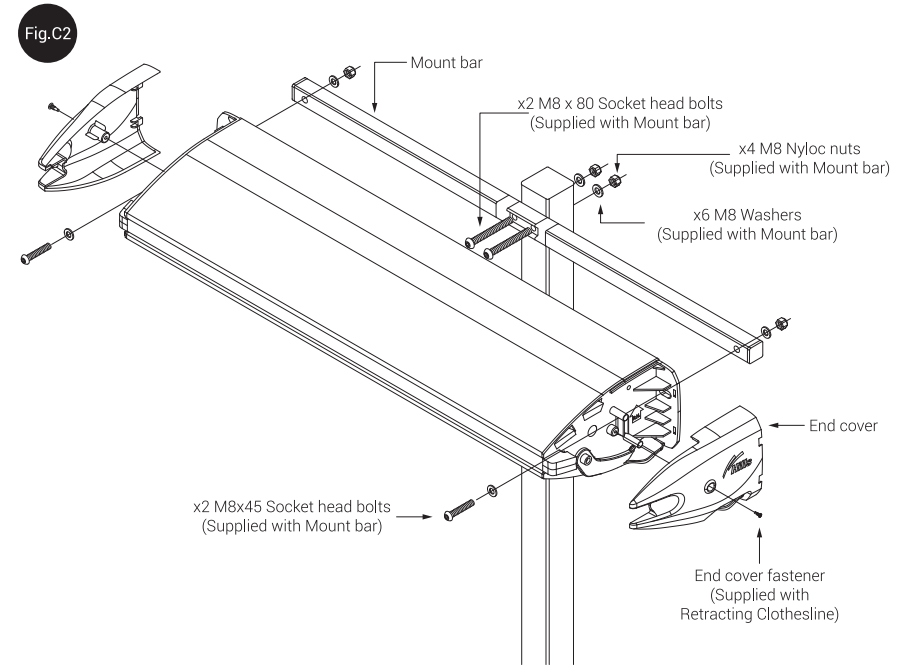


2.2 Mark the Cabinet mount centres on the wall at the desired installation height. Use a spirit level to ensure the holes are horizontal. Hold the Cabinet against the installation wall to confirm alignment with the marked centrelines.

\*Mount-hole centres: 4 Line (570mm) and 6 Line (814mm)

6

4.4 Align the Cabinet with the pre-drilled holes in the Mount Bar (sold separately). Using the fasteners and instructions provided with the Mount Bar, secure the Cabinet to the post assembly. Re-attach the Cabinet end covers. Do not over-tighten the screws. (Figure C2)



## Mounting your Receiving Bracket to a wall

4.5 Prepare your Receiving Bracket location. Using the bracket as a guide, mark the mount-hole centres on your pre-determined centreline at the desired height. (See figure C1). For all wall mounted Receiving Brackets, use the outer two holes.

4.6 If mounting to a masonry wall using the supplied M8 x 70 wall bolts, drill 10mm diameter holes using a masonry drill bit on the marked mount-hole centres.

4.7 Align the Receiving Bracket with the mount holes. Insert masonry fasteners and secure. (Refer to figure A3)

\*See OPERATION for details on using and stowing your Retracting Clothesline.

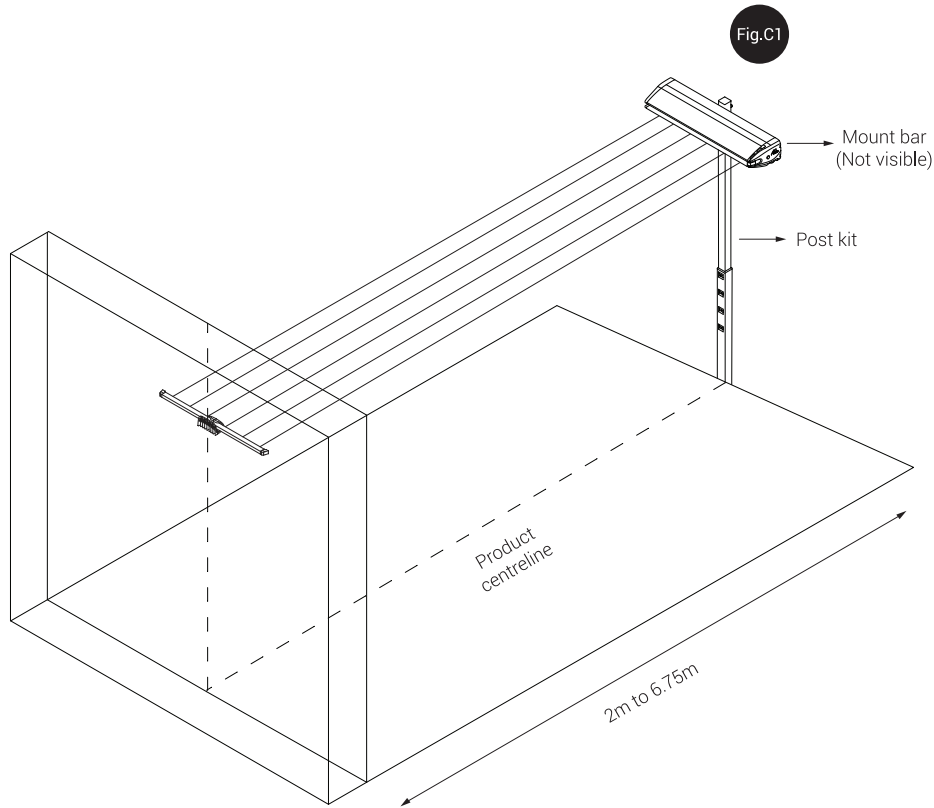
11



# Installation C: Post to Wall

## Mounting your Cabinet to a post

4.1 Determine the best location for the installation of your clothesline. (Figure C1)



4.2 Mark out a centreline for your clothesline between the Post location and install the Post Kit as per the instructions supplied.

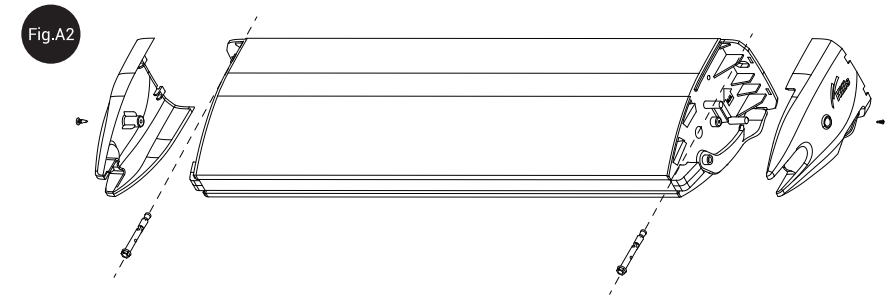
4.3 Secure the Mount Bar to the Post Kit using the instructions and fasteners supplied with the Mount Bar.

2.3 If mounting to a masonry wall using the supplied M8 x 70 wall bolts, drill 10mm diameter holes using a masonry drill bit on the marked mount-hole centres.

If mounting to another surface, use fasteners and drill bits suitable for the substrate and drill suitable sized holes on the marked mount-hole centres.

2.4 Align the Cabinet with the mount-holes. Insert and secure the masonry fasteners. Reattach the Cabinet end covers. Do not over-tighten the screws. (Figure A2)

\*See OPERATION for details on using and stowing your Retracting Clothesline.



## Mounting your Receiving Bracket to a wall

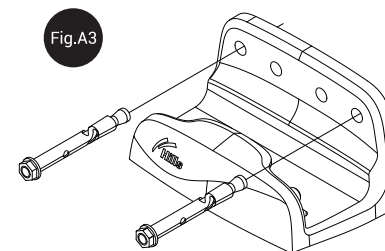
2.5 Prepare your Receiving Bracket location. Using the bracket as a guide, mark the mount hole centres on your pre-determined centreline at the desired height (See Figure A1). For wall mounted Receiving Brackets, use the outer two holes.

2.6 If mounting to a masonry wall using the supplied M8 x 70 wall bolts, drill 10mm diameter holes using a masonry drill bit on the marked mount-hole centres.

If mounting to another surface, use fasteners and drill bits suitable for the substrate and drill suitable sized holes on the marked mount-hole centres.

2.7 Align the Receiving Bracket with the mount holes. Insert masonry fasteners and secure. (Figure A3)

\*See OPERATION for details on using and stowing your Retracting Clothesline.



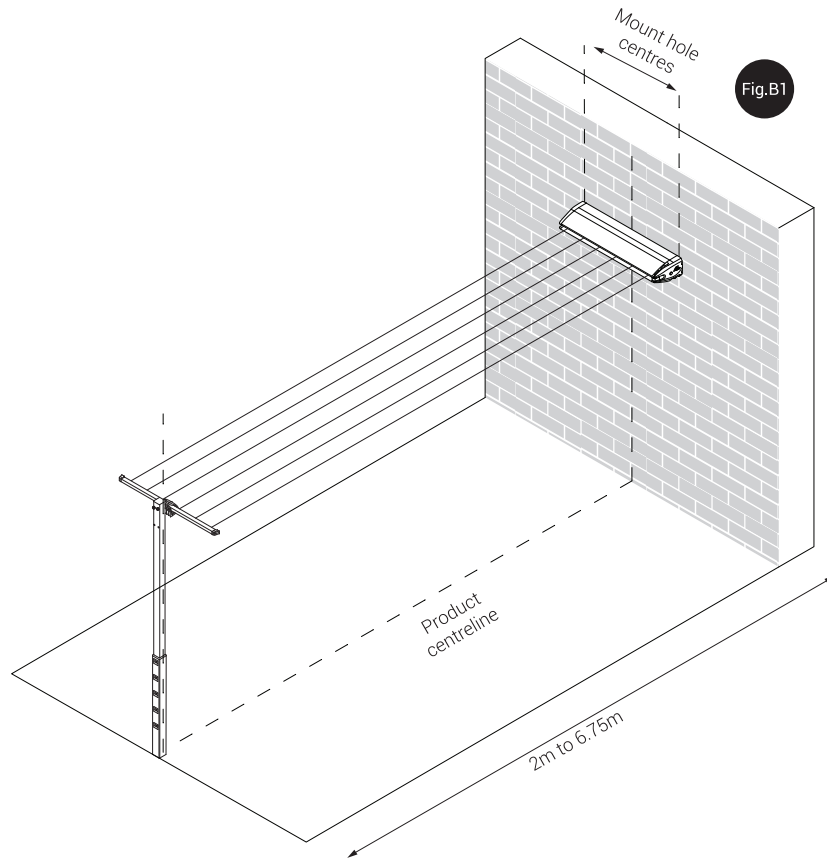
10

7

# Installation B: Wall to Post

## Mounting your Cabinet to a wall

3.1 Mark out a centreline for your product within your allocated site. (Figure B1)



3.2 Mark the Cabinet mount centres on the wall at the desired installation height. Use a spirit level to ensure the holes are horizontal. Hold the Cabinet against the installation wall to confirm alignment with the marked centrelines.

\*Mount-hole centres: 4 Line (570mm) and 6 Line (814mm)

8

3.3 If mounting to a masonry wall using the supplied M8 x 70 wall bolts, drill 10mm diameter holes using a masonry drill bit on the marked mount-hole centres.

If mounting to another surface, use fasteners and drill bits suitable for the substrate and drill suitable sized holes on the marked mount-hole centres.

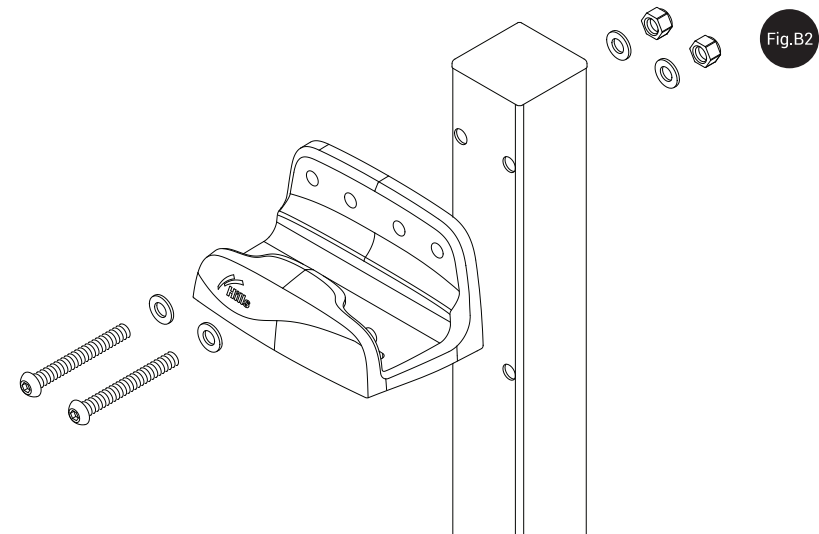
3.4 Align the Cabinet with the mount-holes. Insert and secure the masonry fasteners. Reattach the Cabinet end covers. Do not over-tighten the screws. (Refer to Figure A2)

## Mounting your Receiving Bracket to a post

3.5 Determine your post location and install as per the instructions supplied with your Post Kit.

3.6 Using the fasteners and instructions provided with the Post Kit, secure the Receiving Bracket to the Post Kit. (Figure B2)

\*See OPERATION for details on using and stowing your Retracting Clothesline.



9