



NCP-MIRDVRHD2

USER MANUAL

CLIP ON MIRROR MONITOR

WITH BUILT-IN DASH CAM DVR & REAR CAMERA



FULL HD

1080P



DUAL CAMERA



G-SENSOR



PARK MODE

	Caution.....	4
	Battery warning	4
	Notes on Installation	4
1	Introduction	5
	1.1 Features	5
	1.2 Package Contents.....	5
	1.3 Product Overview	6
2	Getting Started	6
	2.1 Inserting the Memory Card	6
	2.2 Installing the Clip on Mirror DVR.....	6
	2.2.1 Connecting the Rear facing Camera.....	7
	2.2.2 Adjust the device position.....	7
	2.2.3 Connect to Power	7
	2.3 Powering the Mirror DVR On / Off.....	7
	2.3.1 Auto Power On / Off	7
	2.3.2 Manual Power On / Off and Reset	7
	2.3.2.1 Manual Power On.....	7
	2.3.2.2 Power Off.....	8
	2.3.2.3 Reset the device.....	8
	2.4 Playing back Video on PC	8
	2.5 Initial Settings	8
	2.5.1 Formatting Inserted Micro SD Card.....	8
	2.5.2 Set the Date / Time	8
	2.6 Using the Clip On Mirror DVR	9
	2.6.1 Recording Video	9
	2.6.2 Locked Recording	9
	2.7 Video Menu	10
	2.7.1 Resolution	10
	2.7.2 Loop Recording.....	10
	2.7.3 Exposure	11
	2.7.4 Mute Audio.....	11
	2.7.5 Date Stamp	11
	2.7.6 G Sensor.....	12
	2.7.7 Park Mode.....	12

3	Photo Mode	12
3.1	Photo Menu.....	12
	3.1.1 Image Quality.....	12
	3.1.2 White Balance	13
	3.1.3 Exposure.....	13
	3.1.4 Date Stamp	14
3.2	Setting Menu.....	14
	3.2.1 Date / Time.....	14
	3.2.2 Language	14
	3.2.3 Format.....	15
	3.2.4 Default Settings	15
3.3	Playback Screen.....	16
	3.3.1 Deleting Photos & Videos	16
4	Menu Tables	17
5	Technical Specifications	18
	Warranty.....	19

Caution

- Ensure you are using your Mirror DVR within your countries' road laws. Please make sure you are familiar with your local road legislation before use.
- Avoid leaving your Mirror DVR in direct sunlight for extended periods of time in an unventilated space.
- Please set time and date before you use this device to record.
- The system is to be used only for non-commercial use, within the limits permitted by the relevant laws
- Avoid using the Mirror DVR in the vicinity of any devices that emit radio interference (eg. Microwave Ovens).
- It is considered normal operation for the Mirror DVR to get warm during use.

Battery Warning

- Always charge the Mirror DVR using the provided charger. Improper charging of the Mirror DVR and may result in failure of the internal battery.
- Never dismantle the Mirror DVR or expose the internal battery.
- Do not dispose of the Mirror DVR in fire.
- Dispose of the Mirror DVR observing local regulations being mindful of the internal battery.
- Do not attempt to replace or expose the internal battery.

Notes on Installation

1. It is advised that the Mirror DVR is installed on the front face of the rear view mirror.
2. Make sure that the lens is within the range of your vehicles windscreen wiper to ensure a clear view when it rains.
3. Do not touch the lens with your fingers. Fingerprints left on the lens will result in unclear videos or photos. If photos or videos are blurred, please clean the lens gently with a microfiber cloth.
4. Only use the included charging cable to power the Mirror DVR.
5. The rear facing camera is to be installed on the inside of your vehicles cabin.
6. Do not connect or disconnect the rear facing camera while the Mirror DVR is powered on.

1. Introduction

Thank you for purchasing a NanoCam Plus Clip On Mirror DVR with Integrated 1080P Dash Cam DVR & 720p Rear Camera. We are certain that our product will give you trouble free operation while providing you with a safety feature that enhances your driving experience. Our products, like most after-market safety enhanced devices, are designed to assist and aid the driver, not to replace the manual function of the person operating the vehicle. Please read through these instructions before attempting to install this product.

For the latest manual updates, please see www.nanocamplus.com.au or www.nanocamplus.co.nz.

1.1 Features

- Front facing camera recording full high definition 1080P footage at 30 frames per second
- Rear facing camera recording high definition 720P footage at 30 frames per second
- 5.0" colour LCD screen
- 120° wide angle lens
- Emergency recording saves your footage when an impact is detected
- Supports Micro SD cards, class 6 and above up to 32GB

1.2 Package Contents

Mirror DVR



720p Rear Camera



Rubber Fasteners



12V Adapter



6M Extension Cable



Mini USB Cable



1.3 Product Overview

- 1.USB/Rear Camera Input
- 2.Power Input (12V, DC)
- 3.Micro SD Card Slot
- 4.Power On/Off button
- 5.▲ (Up) button
- 6.⏻ (OK/Rec) button
- 7.▼ (Down) button
8. **MENU** (M) button
- 9.5.0" IPS LCD Screen
- 10.Heat Dissipation / Air Flow
- 11.Fastening Clips
- 12.Wide Angle Lens
- 13.Speaker
- 14.Reset button

2. Getting Started

2.1 Inserting Memory Card

With the Mirror DVR powered off and the screen facing towards you, insert the memory card with the text on the micro SD card facing towards you. Push the memory card in until a click is heard.

To remove the memory card

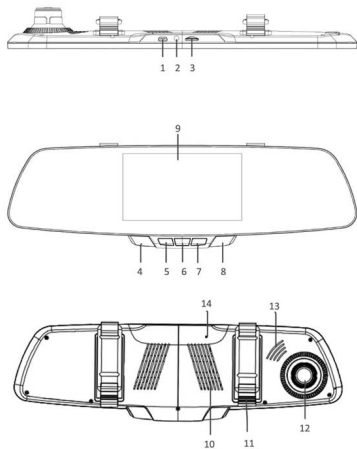
Ensure that the Mirror DVR is powered off, then push the memory card until a click is heard and then release the card to eject.

Note:

1. Do not remove or insert the memory card while the Mirror DVR is turned on as this may damage the memory card or corrupt the memory cards stored data.
2. Please use a Class 6 or higher rated micro SD card with a maximum capacity of 32GB.
3. Please format the Micro SD card before the initial use.
4. When removing the memory card, be careful as the card may eject quickly.

2.2 Installing the Clip On Mirror DVR

1. Loop the rubber fasteners over the top fastener clips.
2. Put the Mirror DVR in position on the front face of your existing rear view mirror ensuring that the camera lens clears the edge of your rear view mirror.
3. Loop the bottom rubber fasteners over the bottom fastener clips.



2.2.1 Connecting the Rear Facing Camera

1. Clean the inside of your rear window ensuring there is no dust on the window.
2. Remove the protective film from the Rear Facing Camera's 3M sticker and place the camera in the desired position on the inside of your rear window, ensuring that the rear camera's mount is above the rear camera's camera lens.
3. Hold the mount firmly against the glass for 30 seconds.
4. Connect the camera to the 6M Extension cable.
5. Run the cable tidily along or underneath your vehicles trim up to the Mirror DVR.
6. Making sure that the Mirror DVR is powered off, connect the USB plug to the Mirror DVR's port marked **USB**.

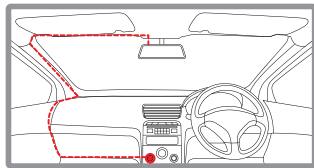
2.2.2 Adjusting the angle of the Mirror DVR camera lens

1. Using the camera lens on the rear of the Mirror DVR, move the camera field of view to the desired position.

2.2.3 Connecting to Power

Only use the included charger to power and charge the Mirror DVR.

1. Once the Mirror DVR is securely installed onto your vehicles rear view mirror, plug the 12V DC charger into your vehicles cigarette lighter adapter or power source.
2. Run the cable along your vehicles console and windscreen and plug it into the Mirror DVR port marked **DC-IN**.



Note:

1. Make sure that the cameras view is not obstructed by any window tint or any other objects.

2.3 Powering the Mirror DVR On/Off

2.3.1 Auto Power On/Off

When the Mirror DVR is correctly installed and connected to your vehicles' 12V DC power supply, the Mirror DVR will automatically power on and start recording when the car's accessories are activated. The Mirror DVR will automatically stop recording and shutdown when your vehicle is powered off.

2.3.2 Manual Power On/Off and Reset

2.3.2.1 Manual Power On

Press and hold the Power button on the front of the Mirror DVR until the Nanocam Plus start up screen appears.

2.3.2.2 Power Off

If the Mirror DVR is currently recording, please manually stop the recording by pressing the **OK** button. Press and hold the Power button on the front of the Mirror DVR. After powering off the device please wait for 10 seconds before powering the Mirror DVR on again.

2.3.2.3 Reset the Device

If the Mirror DVR does not function normally, try restarting the Mirror DVR. Alternatively, to reset the Mirror DVR to factory settings, press the small button (with a paper clip or other small object) on the rear of the Mirror DVR marked '**Reset**'.

2.4 Playing back video on a PC

To playback video files on your PC it is recommended that you connect the Micro SD card (not included) directly to your PC using either a USB micro SD card reader (not included) or if your PC has an SD card slot, connect your micro SD card using a Micro SD card to SD Card converter (not included). Once the SD card is connected it should appear as a removable storage device. It is recommended that you transfer video files that you want to playback to a file on your computer before attempting to playback. This will reduce any delay in playback.

2.5 Initial Settings

Before using the Mirror DVR we recommend **Formatting the Inserted Micro SD Card** and **Setting the Time and Date**.

2.5.1 Formatting the Inserted Micro SD Card

Formatting the Micro SD card will delete all information on the inserted Micro SD Card and prepare the card for use with the Mirror DVR.

1. Press the **OK** Button to stop the Mirror DVR from recording.
2. Press and hold the **MENU** Button for 2 seconds to enter the **Menu**.
3. Use the **▲** and **▼** Buttons to navigate the **Menu** and highlight the **Format** setting.
4. Press the **OK** button to confirm the SD card format.

Note:

1. Menu cannot be accessed while the camera is recording. Please stop the recording before attempting to access the menu.
2. **Formatting your Micro SD Card** will delete all files from the card. Once these files have been deleted you will not be able to recover them.

2.5.2 Setting the Date and Time

Setting the Time and Date allows you to stamp your footage with the time as a reference.

1. Press the **OK** Button to stop the Mirror DVR from recording.
2. Press and hold the **MENU** Button for 2 seconds to enter the **Menu**.
3. Use the **▲** and **▼** buttons to navigate the **Menu** and highlight the **Date** setting.

4. Press **OK** to enter the **Date/Time**.
5. Use the **▲** and **▼** buttons to edit the selected digit and the **OK** button to confirm and progress to the next digit.
6. To save and exit the date and time menu, press the **MENU** button

Note:

1. Menus cannot be accessed while the camera is recording. Please stop the recording before attempting to access the menu.
2. Once the date and time is set it can be stamped onto your footage using the Date Stamp setting. To configure the Date Stamp setting, please refer to the Date Stamp section of this manual.

2.6 Using the Mirror DVR

2.6.1 Recording Video

When the Mirror DVR is connected to your vehicles 12V DC power supply, the Mirror DVR will automatically power on and begin recording when you start your vehicle. During the start up the buttons will be unresponsive and the camera will take a moment to begin recording. The Mirror DVR will automatically stop recording and shutdown when your vehicle is powered off.

Note:

1. Because of how some vehicles are wired, the recording may continue when the engine is switched off. If this happens, please manually turn off the Mirror DVR or remove the charger from the cigarette lighter adapter or power source when not in use.
2. The recording loop length can be configured to save a video file for every 1, 3 or 5 minutes of recording. For information on how to adjust this setting please refer to the **Loop Recording** section of this manual.
3. The device saves the recorded footage and photos on to the inserted Micro SD Card. If the memory card capacity is full, the oldest file in the memory card will be overwritten.

2.6.2 Locked Recording

Locked Recording saves the current video file and protects it from being overwritten. To manually start a Locked Recording follow the instructions below.

1. During recording push the **MENU** button.
2. To stop recording press the **OK** button.

Note:

1. If the **G Sensor (Gravity Sensing)** function is enabled and a collision is detected, the device will automatically trigger the emergency recording and protect the current video file. Please refer to the section titled Gravity Sensing.
2. The emergency recording file is created as a new file, which will be protected to avoid being overwritten by normal loop recording. If the inserted Micro SD Card fills up with Emergency Recording files the message "SD Card Full" will appear on the screen, and the oldest emergency file will be automatically deleted when a new emergency recording file is created.

2.7 Video Menu

When the Mirror DVR is powered on the video screen will start by default. In this screen recording will automatically start and can be stopped by pressing the **OK** button.

To access the Menu, ensure that the Mirror DVR is not recording then press and hold the **MENU** button for 2 seconds.

2.7.1 Resolution

Resolution sets the video quality. Higher resolution video will capture more detail and will also produce larger files. To change the recording resolution, please follow the instructions below.

1. Press the **OK** Button to stop the Mirror DVR from recording.
2. Press and hold the **MENU** Button for 2 seconds to enter the **Menu**.
3. Use the **▲** and **▼** Buttons to navigate the **Menu** and highlight the **Resolution** setting and press **OK** to select.
4. Use the **▲** and **▼** Buttons to highlight your desired resolution, then press the **OK** button to confirm your selection.

Note:

1. Menu cannot be accessed while the camera is recording. Please stop the recording before attempting to access the menu.
2. Higher resolution clips will create larger files which will fill the Micro SD Card faster.

2.7.2 Loop Recording

Loop recording allows you to set the duration that the camera will record before creating a new clip. To set the clip length please follow the instructions below.

1. Press the **OK** Button to stop the Mirror DVR from recording.
2. Press and hold the **MENU** Button for 2 seconds to enter the **Menu**.
3. Use the **▲** and **▼** Buttons to navigate the **Menu** and highlight the **Loop Recording** setting and press **OK** to select.
4. Use the **▲** and **▼** Buttons to highlight your required clip length, then press the **OK** button to confirm your selection.

Note:

1. Menu cannot be accessed while the camera is recording. Please stop the recording before attempting to access the menu.
2. Selecting the OFF option will create the longest possible clip, in most cases depending on the set resolution and other factors this will be limited to 10MB.
3. To avoid filling the card quickly it is advised to use the 2 or 3 minute options.

2.7.3 Exposure

Exposure is used to manually control the light sensitivity settings. To change the **Exposure** setting follow the instructions below.

1. Press the **OK** Button to stop the Mirror DVR from recording.
2. Press and hold the **MENU** Button for 2 seconds to enter the **Menu**.
3. Use the **▲** and **▼** Buttons to navigate the **Menu** and highlight the **Exposure** setting and press **OK** to select.
4. Use the **▲** and **▼** Buttons to highlight your desired **Exposure**, then press the **OK** button to confirm your selection.

Note:

1. Menu cannot be accessed while the camera is recording. Please stop the recording before attempting to access the menu.

2.7.4 Mute Audio

The Mute Audio setting allows you to mute the microphone during recording, or set it to record audio. To set your recording preferences, please follow the instructions below.

1. Press the **OK** Button to stop the Mirror DVR from recording.
2. Press and hold the **MENU** Button for 2 seconds to enter the **Menu**.
3. Use the **▲** and **▼** Buttons to navigate the **Menu** and highlight the **Mute Audio** setting.
4. Press the **OK** button to switch between ON and OFF.

Note:

1. Menu cannot be accessed while the camera is recording. Please stop the recording before attempting to access the menu.

2.7.5 Date Stamp

Date Stamp will stamp the current date and time onto the footage for future reference. To set the date stamp please follow the instructions below.

1. Press the **OK** button to stop the Mirror DVR from recording.
2. Press and hold the **MENU** Button for 2 seconds to enter the **Menu**.
3. Use the **▲** and **▼** buttons to navigate the Menu and highlight the **Date Stamp** setting.
4. Press the **OK** button to switch the setting between ON and OFF.

Note:

1. Menu cannot be accessed while the camera is recording. Please stop the recording before attempting to access the menu.

2.7.6 G Sensor

The **G Sensor** defines the required force needed to trigger emergency recording. Once Emergency recording is triggered the current recording will be saved and protected from being saved over by the normal loop recording. To set the required sensitivity please follow the instructions below.

1. Press the **OK** button to stop the Mirror DVR from recording.
2. Press and hold the **MENU** Button for 2 seconds to enter the **Menu**.
3. Use the **▲** and **▼** buttons to navigate the **Menu** and highlight the **G Sensor** setting and press **OK** to select.
4. Use the **▲** and **▼** buttons to highlight your desired sensitivity, then press the **OK** button to confirm your selection.

Note:

1. Menus cannot be accessed while the camera is recording. Please stop the recording before attempting to access the menu.
2. If your memory card is filling up quickly you may need to lower the sensitivity of the **G Sensor (Gravity Sensor)** to decrease the number of triggers caused by normal driving or other operations (eg., bumpy roads and opening and closing doors).

2.7.7 Park Mode

The **Parking mode** setting is used to activate a recording after you have parked your vehicle. To adjust the key beep settings, follow the instructions below.

1. Press the **OK** button to stop the Mirror DVR from recording.
2. Press and hold the **MENU** Button for 2 seconds to enter the **Menu**.
3. Use the **▲** and **▼** buttons to navigate the Menu and highlight the **Park Mode** setting and press **OK** to switch the setting ON and OFF.

Note:

1. Menus cannot be accessed while the camera is recording. Please stop the recording before attempting to access the menu.

3. Photo Mode

This screen is used to capture images using your Mirror DVR.

To access the Photo screen ensure that the camera is not recording and short press the **MENU** button. The icon in the top left of the screen will change to a camera.

3.1 Photo Menu

3.1.1 Image Quality

Image Quality sets the resolution for the photos taken by the Mirror DVR. Higher resolution image will capture more detail and will also produce larger files. To change the image quality, please follow the instructions below.

1. Press the **OK** button to stop the Mirror DVR from recording.

2. Press and hold the **MENU** Button for 2 seconds to enter the **Menu**.
3. Use the **▲** and **▼** buttons to navigate the **Menu** and highlight the **Image Quality** setting and press **OK** to select.
4. Use the **▲** and **▼** buttons to highlight your required image resolution, then press the **OK** button to confirm your selection.

Note:

1. Menus cannot be accessed while the camera is recording. Please stop the recording before attempting to access the menu.

3.1.2 White Balance

The **White Balance** setting is used to manually adjust the settings used to counteract different light conditions. This setting is set to Automatic by default. To change the **White Balance** setting follow the instructions below.

1. Press the **OK** button to stop the Mirror DVR from recording.
2. Press and hold the **MENU** Button for 2 seconds to enter the **Menu**.
3. Use the **▲** and **▼** buttons to navigate the **Menu** and highlight the **White Balance** setting and press **OK** to select.
4. Use the **▲** and **▼** buttons to highlight your required **White Balance** setting, then press the **OK** button to confirm your selection.

Note:

1. Menus cannot be accessed while the camera is recording. Please stop the recording before attempting to access the menu.

3.1.3 Exposure

Exposure is used to manually control the light settings. To change the Exposure setting follow the instructions below.

1. Press the **OK** button to stop the Mirror DVR from recording.
2. Press and hold the **MENU** Button for 2 seconds to enter the **Menu**.
3. Use the **▲** and **▼** buttons to navigate the **Menu** and highlight the **Exposure** setting and press **OK** to select.
4. Use the **▲** and **▼** buttons to highlight your exposure setting, then press the **OK** button to confirm your selection.

Note:

1. Menus cannot be accessed while the camera is recording. Please stop the recording before attempting to access the menu.

3.1.4 Date Stamp

Date Stamp is used to stamp your photos with the date and time they were taken. To select your preferred date and time format follow the instructions below.

1. Press the **OK** button to stop the Mirror DVR from recording.
2. Press and hold the **MENU** Button for 2 seconds to enter the **Menu**.
3. Use the **▲** and **▼** buttons to navigate the **Menu** and highlight the **Date Stamp** setting and press **OK** to select.
4. Press the **OK** button to switch the setting between ON and OFF.

Note:

1. Menus cannot be accessed while the camera is recording. Please stop the recording before attempting to access the menu.
2. The **Date Stamp** setting is not used to set the cameras internal clock. To set the Date and Time, please see the **Date/Time** section of this manual.

3.2 Setting Menu

This menu is used to edit the Mirror DVR operational settings. This menu can be accessed by pressing and holding the **MENU** button for 2 seconds while the Mirror DVR is idle and not recording. While in this menu the **▲** and **▼** buttons are used to navigate and the **OK** button to select the highlighted setting.

3.2.1 Setting the Date/Time

Setting the Time and Date allows you to stamp your footage with the time as a reference.

1. Press the **OK** button to stop the Mirror DVR from recording.
2. Press and hold the **MENU** Button for 2 seconds to enter the **Menu**.
3. Use the **▲** and **▼** buttons to navigate the **Menu** and highlight the **Set Date/Time** setting and press **OK** to select.
4. Use the **▲** and **▼** buttons to edit the selected digit and the **OK** button to confirm and progress to the next field.
5. To save the date and time and exit the menu, press the **MENU** button.

Note:

1. Menus cannot be accessed while the camera is recording. Please stop the recording before attempting to access the menu.
2. Once the time and date is set it can be stamped onto your footage using the **Date Stamp** setting. To configure Date Stamp setting, please refer to the Date Stamp section of this manual.

3.2.2 Language

The Language setting is used to select your preferred Language in the menus. To set the language follow the instructions below.

1. Press the **OK** button to stop the Mirror DVR from recording.
2. Press and hold the **MENU** Button for 2 seconds to enter the **Menu**.
3. Use the **▲** and **▼** buttons to navigate the Settings **Menu** and highlight the **Language** setting and press **OK** to select.

4. Use the **▲** and **▼** buttons to highlight your preferred language and the **OK** button to confirm your selection.

Note:

1. Menus cannot be accessed while the camera is recording. Please stop the recording before attempting to access the menu.

3.2.3 Format

Formatting the Micro SD card will delete all information on the inserted Micro SD Card and prepare the card for use with the Mirror DVR.

1. Press the **OK** button to stop the Mirror DVR from recording.
2. Press and hold the **MENU** Button for 2 seconds to enter the **Menu**.
3. Use the **▲** and **▼** buttons to navigate the **Menu** and highlight the **Format** setting and press **OK** to select.
4. Use the **▲** and **▼** buttons to navigate to CONFIRM or CANCEL.
5. Press **OK** to confirm or cancel the SD card format operation.

Note:

1. Menus cannot be accessed while the camera is recording. Please stop the recording before attempting to access the menu.
2. Formatting your Micro SD Card will delete all files from the card. Once these files have been deleted you will not be able to recover them.

3.2.4 Default Settings

Default Settings is used to revert the Mirror DVR settings to their default settings. To reset the camera to restore the default settings, please follow the instructions below.

1. Press the **OK** button to stop the Mirror DVR from recording.
2. Press and hold the **MENU** Button for 2 seconds to enter the **Menu**.
3. Use the **▲** and **▼** buttons to navigate the **Menu** and highlight the **Default Settings** setting and press **OK** to select.
4. Use the **▲** and **▼** buttons to navigate to CONFIRM or CANCEL.
5. Press **OK** to confirm or cancel the default settings operation.

Note:

1. Menus cannot be accessed while the camera is recording. Please stop the recording before attempting to access the menu.

3.3 Playback Screen

This screen is used to playback photos and videos. To access the **Playback Screen** ensure that the camera is not recording and short press the **MENU** button. This will send the camera to the **Photo Screen**. While in the **Photo Screen**, short press the **MENU** button again which will bring you to the **Playback Screen**. In this screen the **▲** and **▼** buttons are used to cycle through the recorded videos and photos and the **OK** button is used to play and pause videos. In the **Playback Screen** photos and videos can also be locked and deleted via the **Playback Screen**. This menu can be accessed by pressing and holding the **MENU** button for 2 seconds whilst in the **Playback Screen**.

3.3.1 Deleting Photos and Videos

To delete an unlocked photo or video follow the instructions below.

1. Navigate to the playback screen using the instructions in the section labelled **Playback Screen**.
2. In the **Playback Screen** use the **▲** and **▼** buttons to select the photo or video that you want to delete (if you want to delete all unlocked photos and videos select any unlocked Photo or Video).
3. Press and hold the **MENU** button for 2 seconds to enter the **Playback Menu** and use the **▲** and **▼** buttons to select the Delete setting and press the **OK** button.
4. Use the **▲** and **▼** buttons to select either **Delete all**, which will delete all unlocked photos and videos, or **Delete Current** which will delete the selected photo or video.
5. Press the **OK** button to confirm the deletion.

Note:

1. Menus cannot be accessed while the camera is recording. Please stop the recording before attempting to access the menu.
2. You will only be able to delete videos that have not been protected by a G Sensor locked recording.
3. Protected Videos are only able to be deleted by connecting the Micro SD card to a PC and manually deleting the files.
4. To easily delete all files on the inserted Micro SD Card, please refer to the instructions given in the Format section of this manual.

4.0 Menu Options

MENU	RESOLUTION	FULL HD (1080P)	
		HD (720P)	
	IMAGE QUALITY	1M	8M
		2M	12M
		5M	
	LOOP RECORDING	1 MINUTE	5 MINUTES
		3 MINUTES	
	CAMERA FLIP	OFF	ON
	PARK MODE	OFF	ON
	PARK MODE SENSITIVITY	HIGH	LOW
		MEDIUM	
	G-SENSOR	HIGH	LOW
		MEDIUM	OFF
	VOLUME	HIGH	LOW
		MEDIUM	OFF
	WHITE BALANCE	AUTOMATIC	INCANDESCENT
		SUNNY	FLUORESCENT
		CLOUDY	
	CONTRAST	0	3
		1	4
2		5	
EXPOSURE	-3	+1	
	-2	+2	
	-1	+3	
	0		

MENU	AUTO RECORD	OFF	ON
	SCREEN AUTO-OFF	10 SECONDS	30 SECONDS
		20 SECONDS	OFF
	MUTE AUDIO	OFF	ON
	DATE	SET DATE/TIME	
	LANGUAGE	ENGLISH	RUSSIAN
		CHINESE	CHINESE SIMPLIFIED
		KOREAN	CHINESE TRADITIONAL
	DATE STAMP	OFF	ON
	DELAYED SHUTDOWN	3 SECONDS	10 SECONDS
		5 SECONDS	OFF
	FORMAT	CANCEL	CONFIRM
	DEFAULT SETTINGS	CANCEL	CONFIRM
FIRMWARE VERSION	DISPLAY FIRMWARE VERSION		

5.0 Technical Specifications

SCREEN	5.0"
LENS	120°
CAMERA ROTATION	20°
VIDEO RESOLUTION	1080P (Front) 720p (Rear)
VIDEO FORMAT	.MOV
FRAMES	30
IMAGE RESOLUTION	2M, 3M, 5M, 8M, 10M, 12M 18M
PHOTO FORMAT	.JPG
MOTION DETECTION	YES
CYCLE RECORDING	YES
MEMORY CARD TYPE	MICRO SD CARD (CLASS 6-10)
CAPACITY	UP TO 32GB
USB PORT	MINI USB
POWER PORT	DC-In
FREQUENCY	50HZ/60HZ
MICROPHONE/SPEAKER	BUILT IN
LANGUAGES	ENGLISH / FRENCH / SPANISH / PORTUGUESE / DUTCH / ITALIAN / CHINESE TRADITIONAL / CHINESE SIMPLIFIED / RUSSIAN / JAPANESE

Warranty Terms & Conditions

Our goods come with guarantees that cannot be excluded under the Australian & New Zealand Consumer Law. You are entitled to a replacement or refund for a major failure and for compensation for any other reasonably foreseeable loss or damage. You are also entitled to have the goods repaired or replaced if the goods fail to be of acceptable quality and the failure does not amount to a major failure.

This warranty is provided in addition to your rights under the Australian & New Zealand Consumer Law.

NanoCam Plus warrants that this product is free from defects in material and workmanship for a period of 12 months from the date of purchase or for the period stated on the packaging. This warranty is only valid where you have used the product in accordance with any recommendations or instructions provided by NanoCam Plus.

This warranty excludes defects resulting from alterations of the product, accident, misuse, abuse or neglect.

In order to claim the warranty, you must return the product to the retailer from which it was purchased or if that retailer is part of a National network, a store within that chain, along with satisfactory proof of purchase. The retailer will then return the goods to NanoCam Plus. NanoCam Plus will repair, replace or refurbish the product at its discretion. The retailer will contact you when the product is ready for collection. All costs involved in claiming this warranty, including the cost of the retailer sending the product to NanoCam Plus, will be borne by you.

NanoCam Plus Address: 44 Translink Drive, Keilor Park Victoria Australia 3042

Ph: +61 03 8331 4800

Email: info@nanocamplus.com.au



www.nanocamplus.com.au
www.nanocamplus.co.nz

