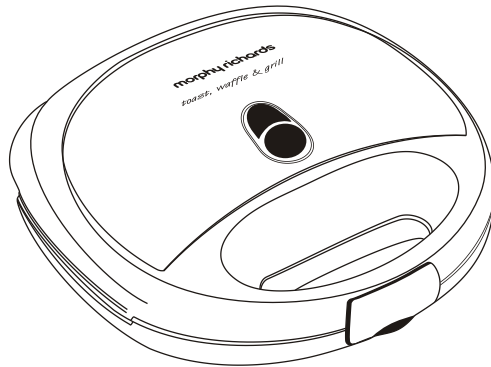


morphyrichards

Toast, Waffle & Grill SM3006 (TWG)



Please read and keep these instructions



getting the best from
your new sandwich toaster...

2year
guarantee
2 ans de garantie / 2 ans de garantie

www.morphyrichards.co.uk
www.morphyrichardsindia.com

General safety instructions:

Read the operating instructions carefully before putting the appliance into operation and keep the instructions including the warranty, the receipt and, if possible, the box with the internal packing. If you give this device to other people, please also pass on the operating instructions.

- The appliance is designed exclusively for private use and for the envisaged purpose. This appliance is not fit for commercial use. Do not use it outdoors (except if it is designed to be used outdoors). Keep it away from sources of heat, direct sunlight, humidity (never dip it into any liquid) and sharp edges. Do not use the appliance with wet hands. If the appliance is humid or wet, unplug it immediately.
- When cleaning or putting it away, switch off the appliance and always pull out the plug from the socket (pull on the plug, not the cable) if the appliance is not being used and remove the attached accessories.
- Do not operate the machine without supervision. If you should leave the workplace, always switch the machine off or remove the plug from the socket (pull the plug itself, not the lead).
- Check the appliance and the cable for damage on a regular basis. Do not use the appliance if it is damaged.
- Do not try to repair the appliance on your own. Always contact an authorized technician. To avoid the exposure to danger, always have a faulty cable be replaced only by the manufacturer, by our customer service or by a qualified person and with a cable of the same type.
- Use only original spare parts.
- Pay careful attention to the following "Special Safety Instructions".

Children and frail individuals:

- In order to ensure your children's safety, please keep all packaging (plastic bags, boxes, polystyrene etc.) out of their reach.

Caution: Do not allow small children to play with the foil as there is a danger of suffocation!

- In order to protect children or frail individuals from the hazards of electrical equipment, please ensure that this device is only used under supervision. This device is not a toy. Do not allow small children to play with it.

Symbols in these instructions for use:

Important information for your safety is specially marked. It is essential to comply with these instructions in order to avoid accidents and prevent damage to the machine:

WARNING: This warns you of dangers to your health and indicates possible injury risks.

CAUTION: This refers to possible hazards to the machine or other objects.

NOTE: This highlights tips and information.

Special safety notes:

WARNING:

- Do not touch the hot parts of the device. If necessary, you should use an oven cloth and hold the device only by the handle or the recessed grip.
- Beware of any steam coming out of the sides of the device during the baking process and when opening the baking surfaces. **Danger of burns!**

CAUTION:

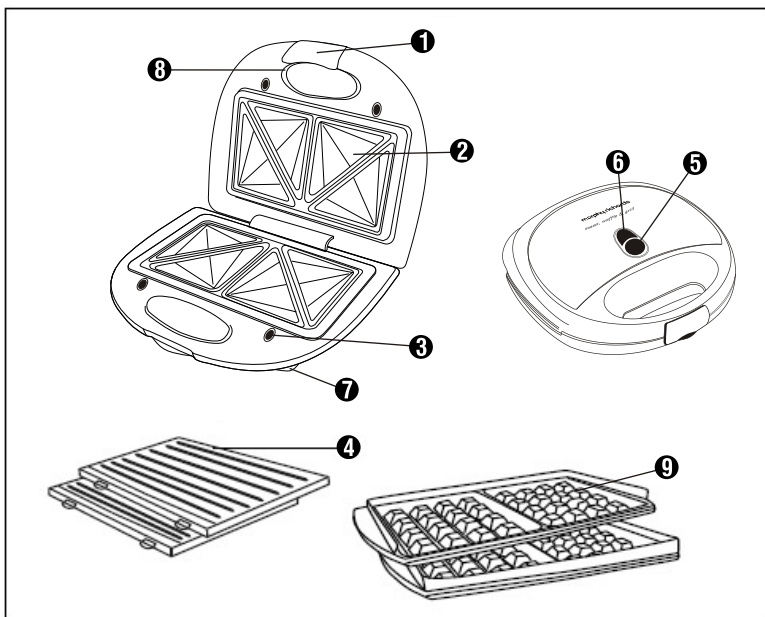
- Place the unit on a flat and heat-resistant

surface. In the case of sensitive surfaces please place a heat-resistant board under the pan.

- In order to prevent heat from building up, do not put the unit directly underneath a cupboard. Ensure that there is enough space all around.
- Do not move the device when it is working.
- Bread is combustible. Therefore the device should never be used in the vicinity of or below curtains and other combustible materials!
- Please ensure that the mains lead does not come into contact with the hot sections of the device.
- Allow the device to cool down before cleaning it and putting it away.

Overview of the components:

- ❶ Locking clip
- ❷ Removable sandwich plates
- ❸ Quick release button
- ❹ Removable grill plates
- ❺ Power lamp
- ❻ Ready lamp
- ❼ Non slip feet
- ❽ Cool touch handle
- ❾ Removable waffle plates



Before initial use:

Before you make the first sandwiches for consumption...

- Please remove any packaging that is still present. Unwind the mains lead completely.
- Clean the housing and the baking surfaces with a damp cloth.

CAUTION: In order to remove the protective coating on the heating coil you should operate the device approximately three times without any food inside.

NOTE: Any smoke or smell produced during this procedure is normal. Please ensure sufficient ventilation.

Starting-up the unit:

Non-stick coating

- Lightly grease the baking surfaces before the unit is used for the first time.
- Use the appliance for about 10 minutes with the toasting surfaces closed (see "Using the unit").
- Please do not eat the first pieces of toast/waffle or the first grilled food.
- After the device has cooled down, wipe the baking surfaces off with a paper towel.

Electrical connection

- Insert the plug in a duly installed 230 V/50 Hz protective contact socket. The red mains control lamp lights up.

Using the unit:

Inserting/changing of the cooking plates

Make sure that the plug is not inserted when

inserting or changing the cooking plates.

WARNING: The machine and the baking plates must have cooled down completely!

1. Release the unlocking system and unfold the lid upwards.
2. If baking plates have already been inserted into the device, press down the release buttons on the insides of the handles in order to release the baking plates. Then remove the plates.
3. Now insert the desired baking plates until they lock in place. Please note the pins on the edge of the baking plates. The device is supplied with one set of baking plates each for sandwiches, waffle and for grilling.
4. Close the appliance again.

Toasting sandwiches:

NOTE: Lightly spread the outside of the bread (the side coming into contact with the toasting surfaces) with butter or margarine. That way your sandwich can be easily removed afterwards from the sandwich toaster.

1. Connect the device to a correctly installed 230 V, 50 Hz socket with earthing contact. Both control lamps are now lit up. Once the set temperature has been reached the green control lamp goes off. The red control lamp remains on to indicate that the device is switched on.
2. Keep the baking surfaces closed during the warm-up period. When the green control lamp goes off the baking temperature has been reached.
3. Release the lid catch and fold the lid up until it remains open. Insert a double sandwich into each side. Gently close the cover. Close the lid catch.
4. The green control lamp switches on and off

during baking in order to maintain the baking temperature. The baking time depends on your individual taste. The longer the sandwiches remain in the device, the greater the level of browning.

5. Open the lid catch carefully and then fold up the lid. Remove the toasted sandwiches with a wooden fork or similar item.
6. Lightly grease the baking surfaces again as required after each baking process.
7. The baking surfaces must always be kept closed during pauses in the baking.

Baking waffles:

1. Repeat steps 1 to 3, as described under "Toasting Sandwiches".
2. Open the lid and place approx. 1 tablespoon of dough in the middle of the lower baking surface. The dough should be filled in quickly as otherwise the waffle will not brown evenly. Please ensure that you measure in the quantity of dough correctly, as excess dough runs over the edges and soils the device. Gently close the cover. Do not press the handles together.
3. Please proceed as described under "Toasting Sandwiches".

Recipe for waffles

5 egg yolks, 5 dessertspoons of hot water, 100 g sugar and 1 grated lemon peel should be mixed together until frothy and then a mixture of ½ teaspoon baking powder and 150 gm flour should be stirred in. Beat the 5 egg whites stiff and fold them into the batter.

Grilling:

1. Insert the grilling plates as described under

"Using the unit".

2. Continue proceeding as described under points 1 to 3 "Toasting Sandwiches".
3. Place the food to be grilled on the lower grilling plate and then close the lid. Please do not press the handles together. The cooking time depends on your individual taste.
4. Once the food has been grilled enough, remove it with a wooden fork. Do not use any pointed, sharp or cutting objects.

CAUTION: Do not use pointed or sharp objects to avoid damaging the coating of the baking surfaces.

Switching Off:

If you would like to interrupt operation or switch the device off, remove the plug from the socket. The red control lamp goes off.

Cleaning:

WARNING: Always pull out the plug from the mains socket before cleaning and wait until the unit has cooled down.

CAUTION:

- Do not use any wire brush or other abrasive objects.
- Do not use any acidic or abrasive detergents.
- Under no circumstances should the device be immersed in water for cleaning.

Baking surfaces:

- Please remove any food residues while they are still warm with a damp cloth or paper towel.
- Wash off the baking surfaces with a soft

sponge and soapy water; then wipe with clean water and dry thoroughly with a soft cloth. After drying please apply a thin film of edible oil to the surface.

Housing:

Clean the housing after use with a slightly damp cloth.

Technical data:

Power Supply : 230 V ~ 50 Hz

Wattage : 1300W

Morphy Richards products are intended for household use only

Morphy Richards has a policy of continuous improvement in product quality and design. The Company, therefore, reserves the right to change the specification of its models at any time.

Products & parts are indicative only, the actual product may differ.

morphy richards

Morphy Richards Ltd, Mexborough,
South Yorkshire, England, S64 8AJ