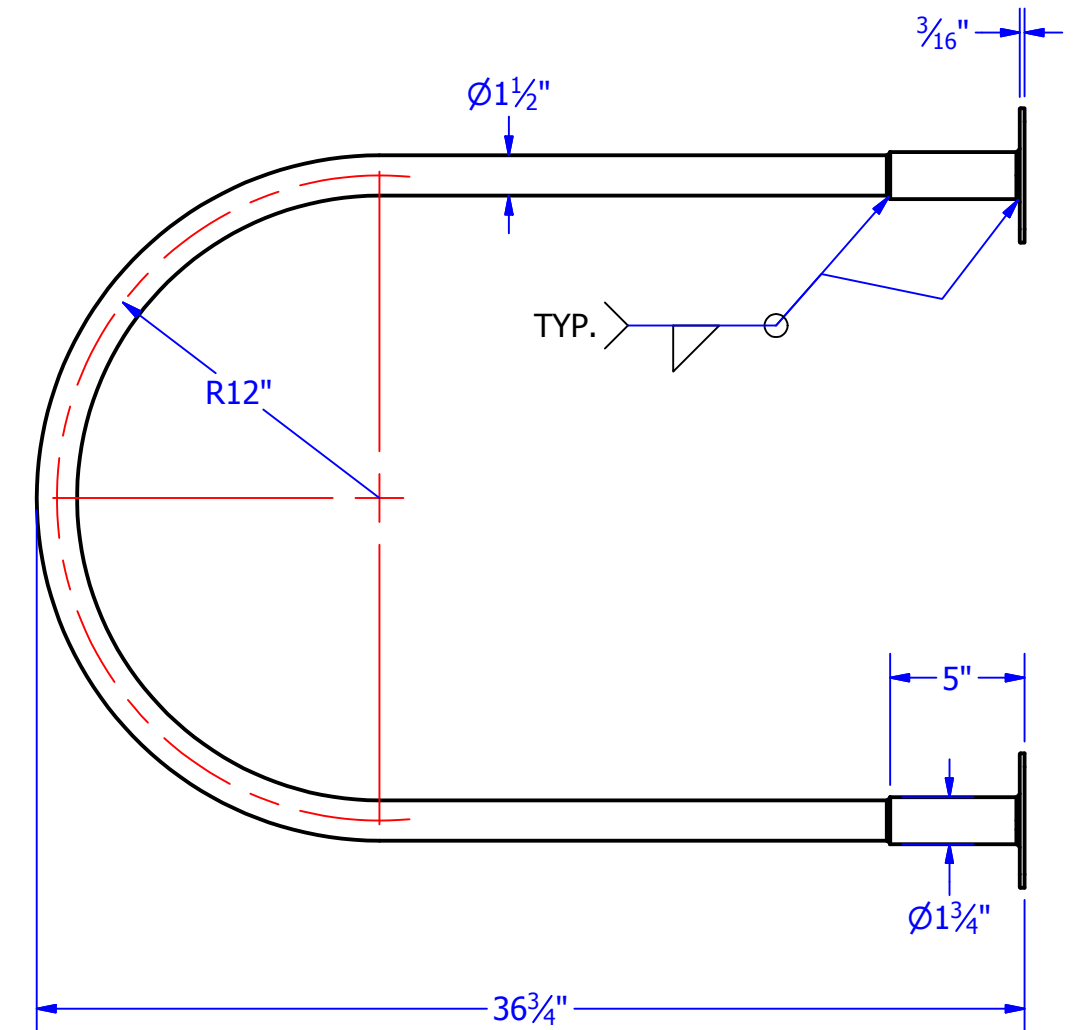
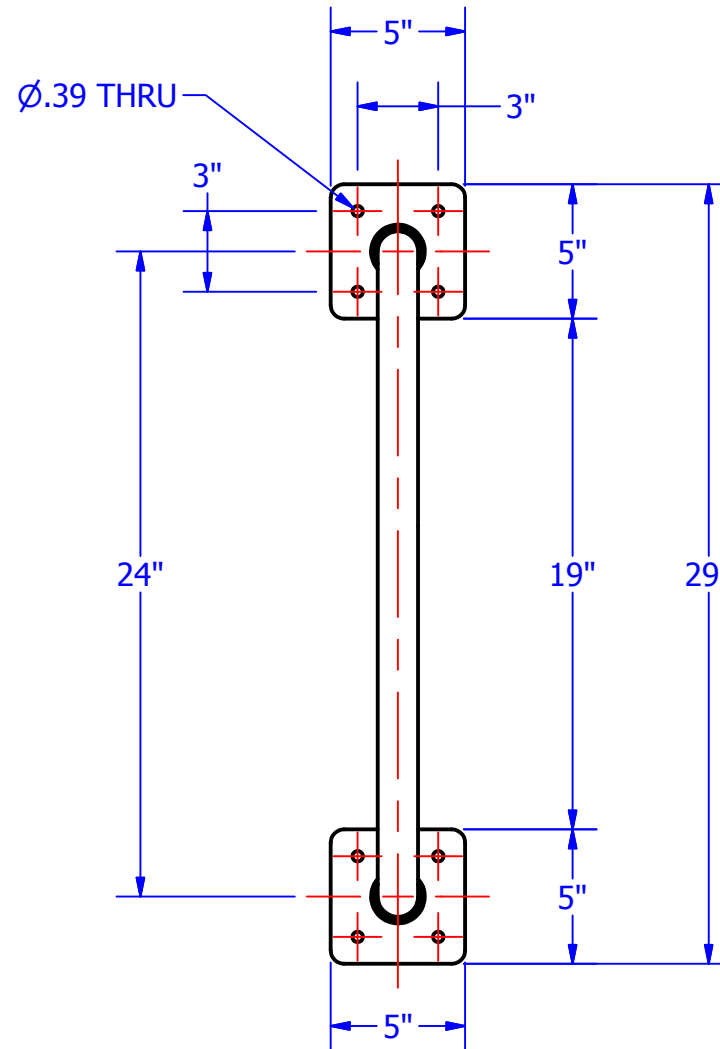
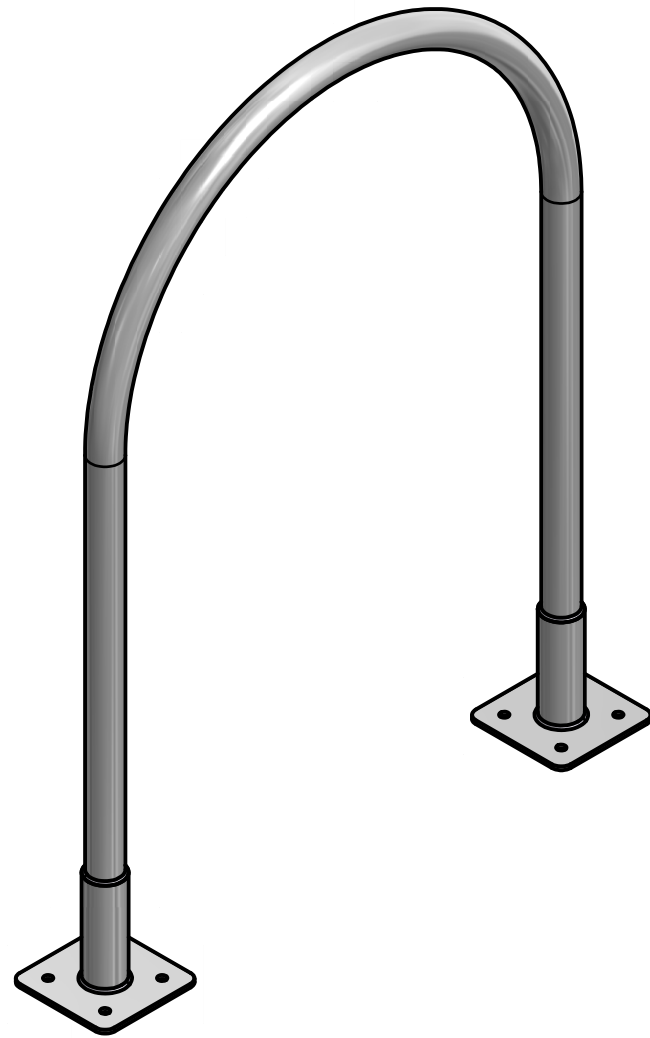




Technical Data DOCK GRAB BAR L-0500-SS

BREY-KRAUSE MANUFACTURING
1209 W. LEHIGH STREET
BETHLEHEM, PA 18018
Phone: 610-867-1401 Fax: 610-866-1433
www.breykrause.com
© Copyright 2012

FILE: L-0500-SS_Tech_Data



DATA CURRENT AS OF: 4/24/2013

CONSTRUCTION
ALL MATERIAL USED IN CONSTRUCTION IS CORROSION RESISTANT GRADE 304 STAINLESS STEEL SATIN FINISH AND IS TIG WELDED. THE MAIN TUBE IS 16 GAUGE Ø1½". THE MOUNTING TUBES ARE 12 GAUGE Ø1¾". THE MOUNTING PLATES ARE 7 GAUGE WITH (4) MOUNTING HOLES FOR Ø3/8" BOLTS/SCREWS.

INSTALLATION
THE INSTALLATION OF YOUR DOCK GRAB BAR IS STRAIGHT FORWARD, LOCATE YOUR BAR EITHER PARALLEL OR PERPENDICULAR TO THE EDGE OF YOUR DOCK. MARK THE HOLE LOCATIONS USING THE MOUNTING PLATES AS TEMPLATES. DRILL THE REQUIRED HOLES FOR THE TYPE OF MOUNTING BOLTS/LAG BOLTS/SCREWS YOU ARE USING, DEPENDING ON THE TYPE OF DOCK. CUSTOMER MUST SUPPLY THE MOUNTING HARDWARE. CHECK LOCAL BUILDING CODE FOR ANY SPECIFIC MOUNTING REQUIREMENTS.

GUIDE SPECIFICATION
MOUNT ON THE DOCK IN VARIOUS LOCATIONS TO ASSIST IN THE EMBARKATION / DISEMBARKATION OF YOU BOAT. THE DOCK GRAB BAR ADDS EASE AND SAFETY FOR YOURSELF AND YOUR PASSENGERS. MODEL L-0500-SS IS 36" TALL AND 24" WIDE.