



**BREY-KRAUSE MANUFACTURING**  
 1209 W. LEHIGH ST., BETHLEHEM, PA 18018  
 PHONE: 610-867-1401 FAX: 610-866-1433  
 www.breykrause.com  
 Brey-Krause Mfg. reserves the right to make changes in design and/or materials without formal notice and without incurring obligation.

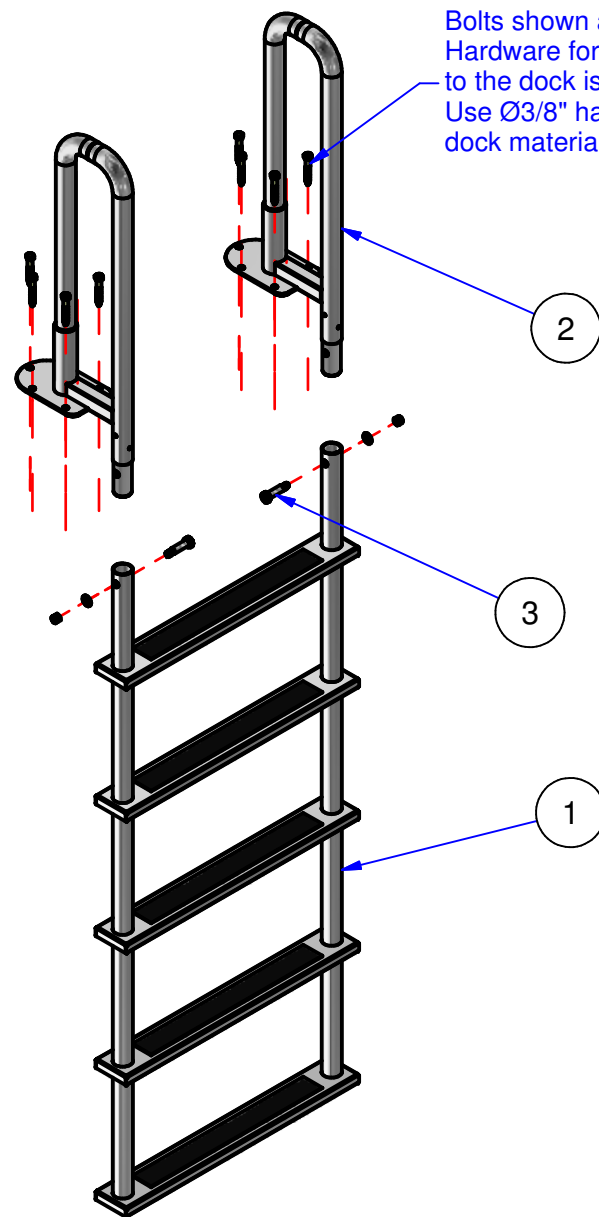
# TECHNICAL DATA SHEET

## L-1320-LB

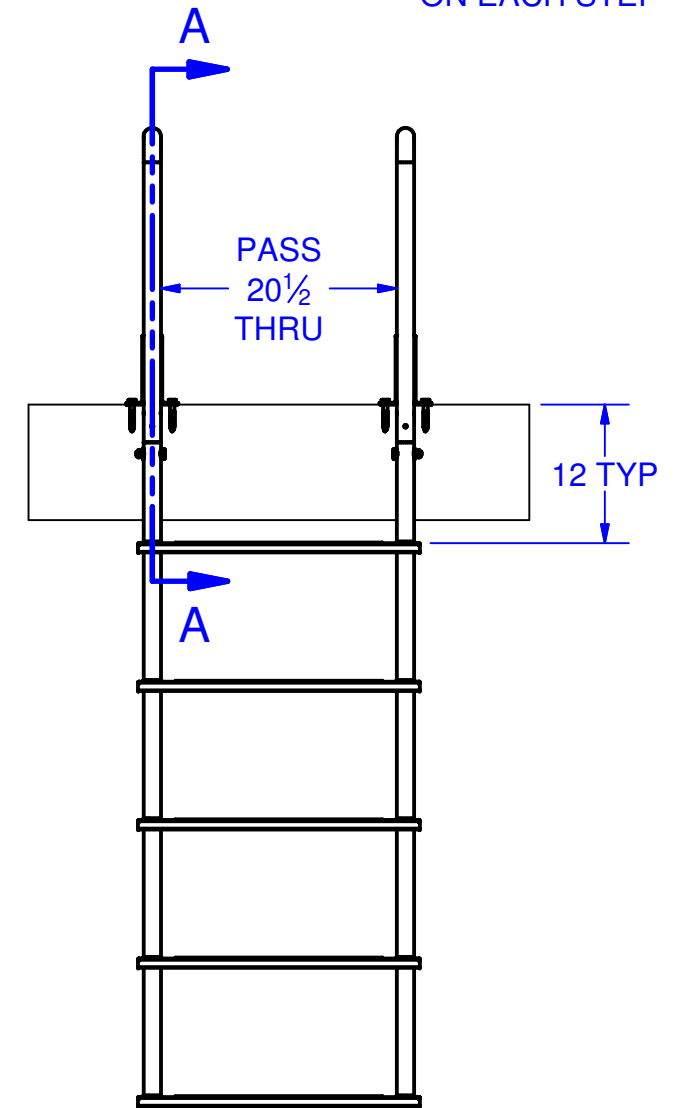
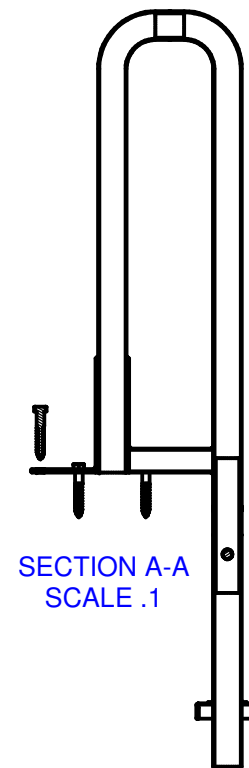
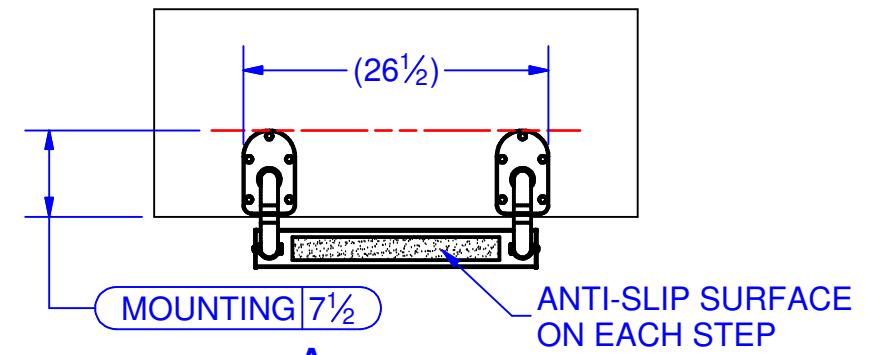
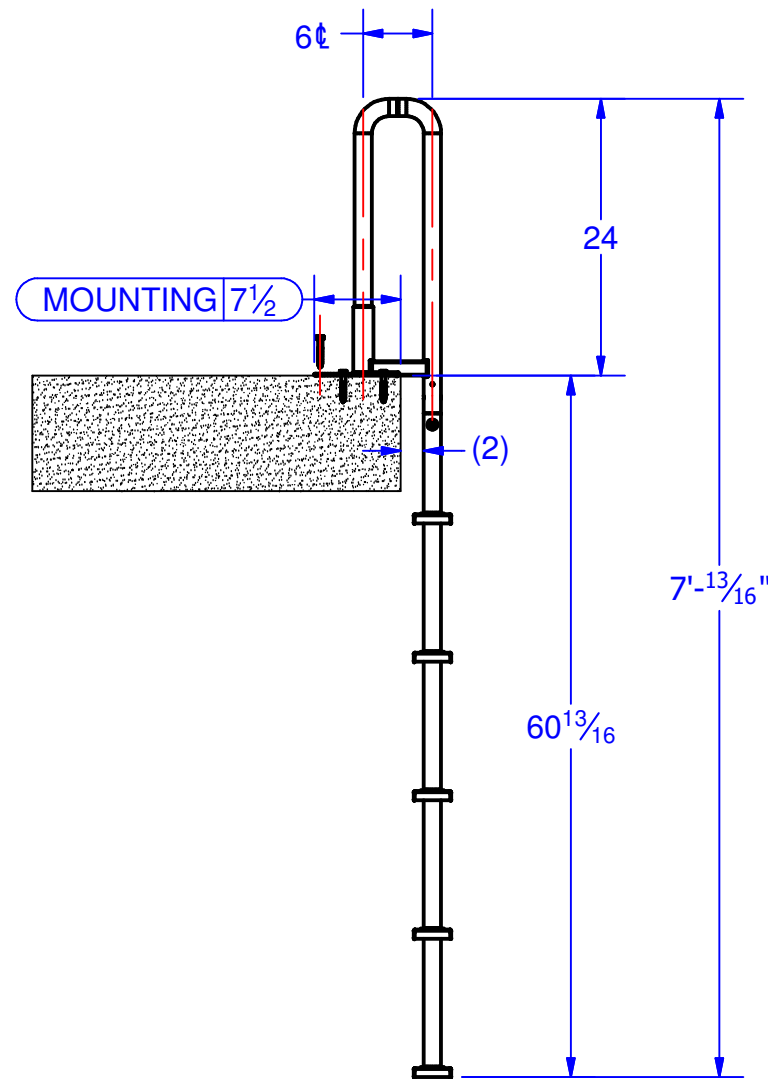
### 5 STEP DOCK LADDER, TOP MOUNT

#### 6"Ø UPPER RAILS

FILE: L-1320-LB\_Tech\_DATA



Bolts shown are for reference only.  
 Hardware for mounting the upper rail(s)  
 to the dock is not supplied.  
 Use Ø3/8" hardware suitable to the  
 dock material or applicable codes.



Parts List			
ITEM	QTY	PART NUMBER	DESCRIPTION
1	1	L-1110-50-LB	5 STEP LOWER LADDER
2	2	L-1310-03-LB	" C/L UPPER RAILS, TOP MOUNT
3	1	L-1100-50	LOWER LADDER BOLT KIT

**INSTALLATION:**  
 The ladder is shipped in (3) pieces; (2) upper railings (L-1310-03-LB), the lower ladder section (L-1110-50-LB) along with the Bolt Kit (#L-1100-50).  
 Mount the two upper rails to the dock using the lower as a positioning guide. Then install the lower ladder section to the upper rails using the supplied hardware. Reference the mounting dimensions.  
 Mounting holes are sized for Ø3/8" hardware supplied by the customer to suit the surface being mounted to. Follow all applicable building codes.

**OPERATION:**  
 Only one person at a time should use the ladder.  
 The ladder is not to be used as a mooring point for boats or personal watercraft.  
 The mounting bolts used to secure the ladder flanges should be inspected periodically for tightness.  
 Assembled Ladder Weight: 41 Lbs.