



BREY-KRAUSE MANUFACTURING
 1209 W. LEHIGH ST., BETHLEHEM, PA 18018
 PHONE: 610-867-1401 FAX: 610-866-1433
 www.breykrause.com
 Brey-Krause Mfg. reserves the right to make changes in design and/or materials without formal notice and without incurring obligation.

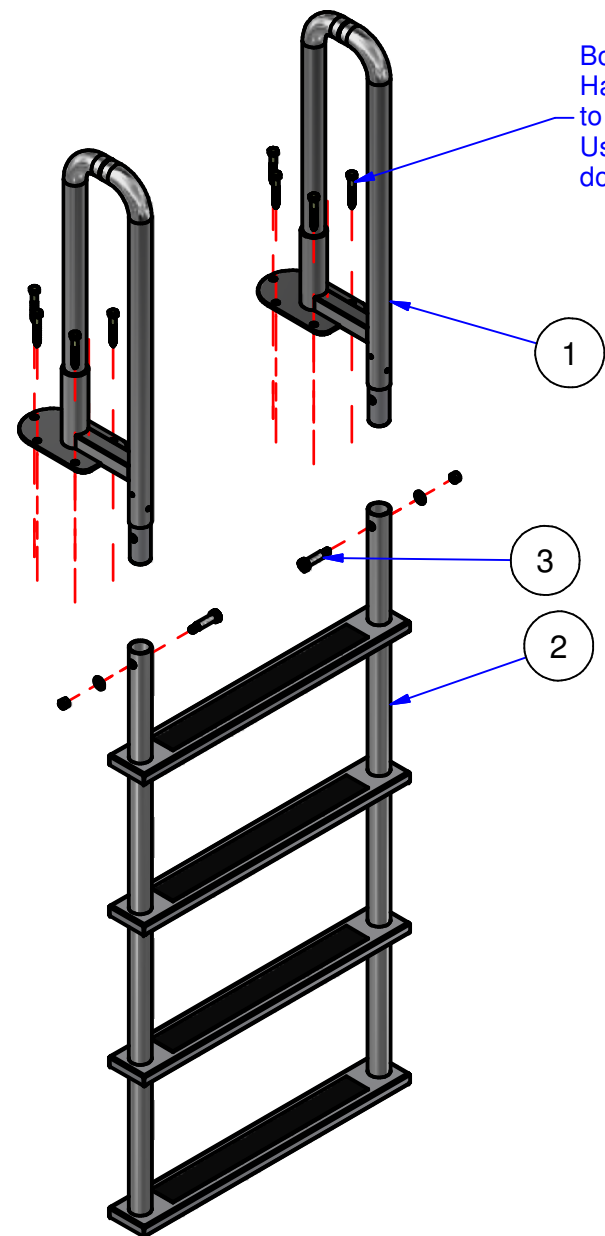
TECHNICAL DATA SHEET

L-1310-LB

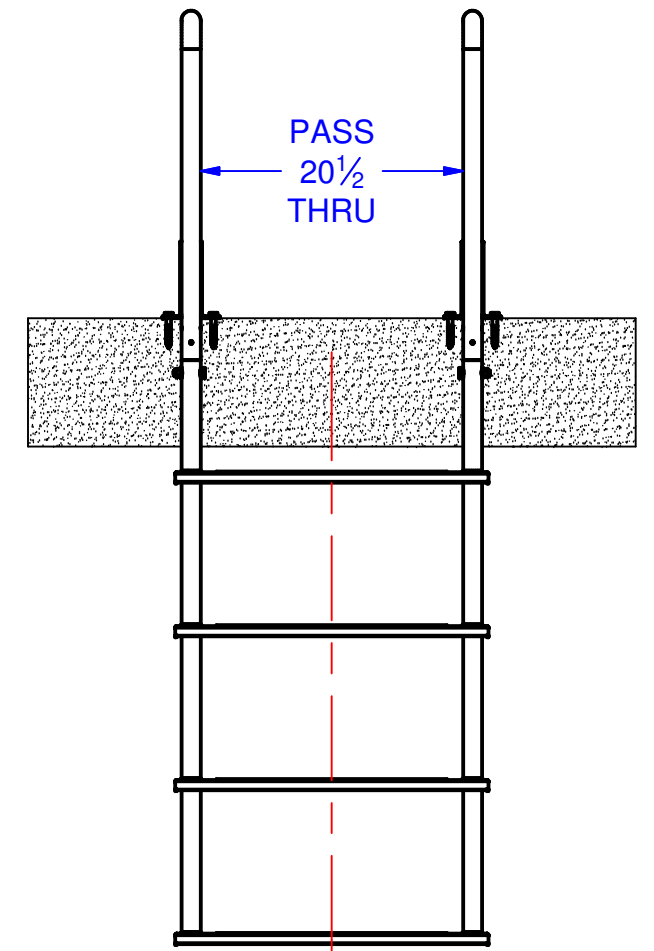
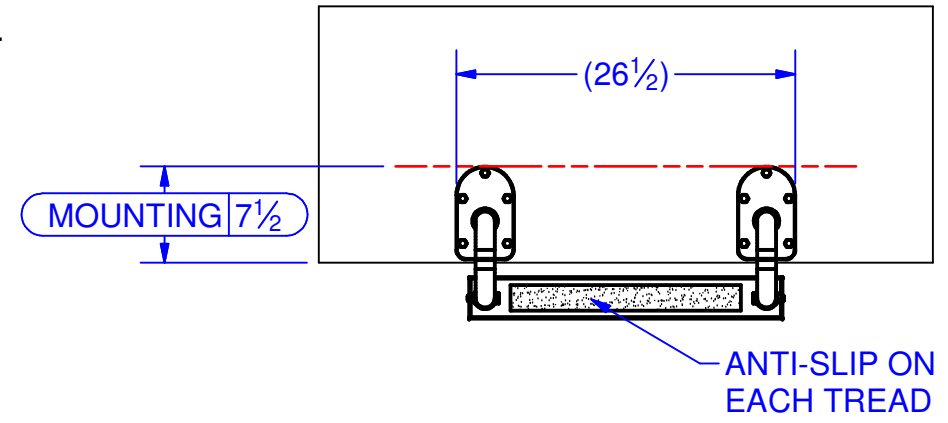
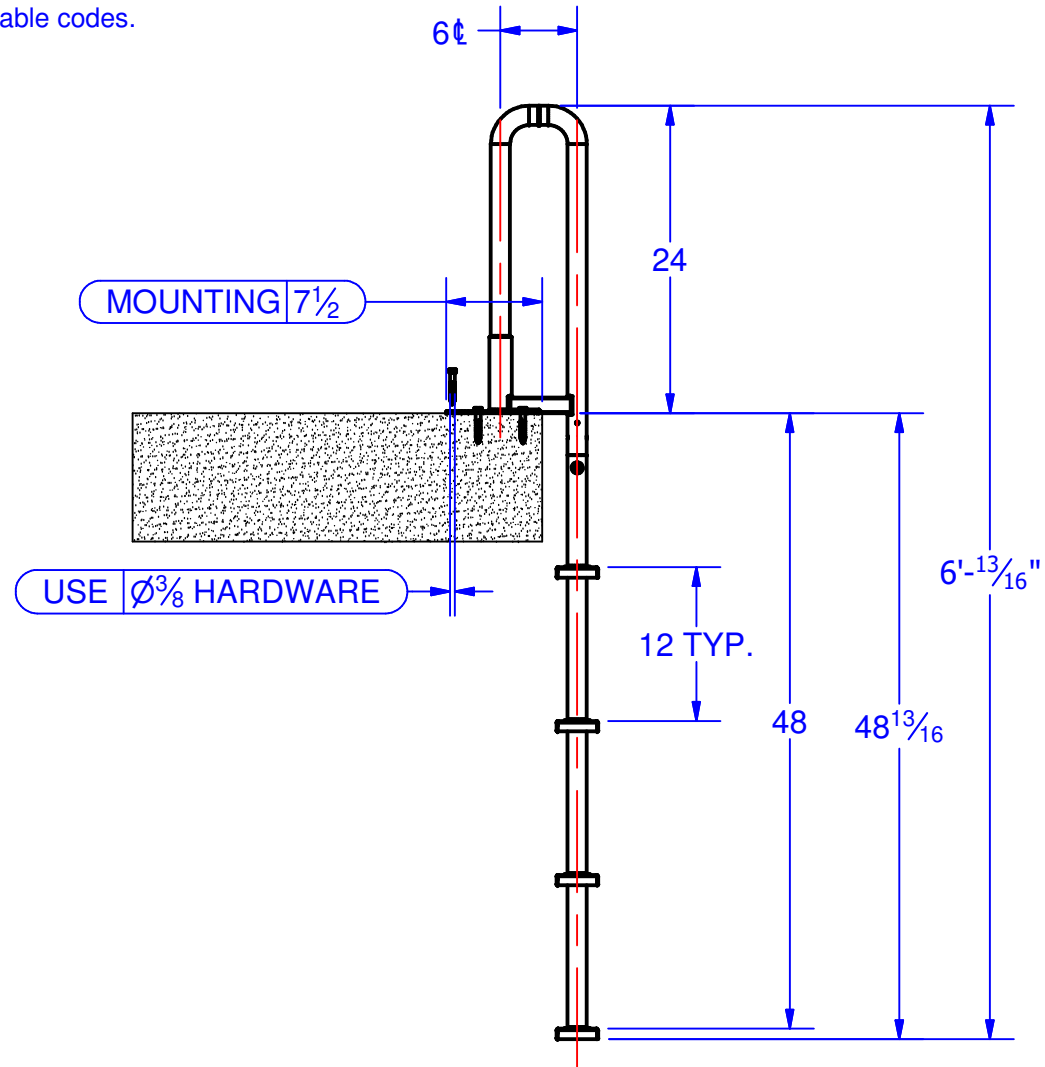
4 STEP DOCK LADDER, TOP MOUNT

6" C/L UPPER RAILS

FILE: L-1310-LB_Tech_DATA



Bolts shown are for reference only.
 Hardware for mounting the upper rail(s) to the dock is not supplied.
 Use $\varnothing 3/8"$ hardware suitable to the dock material or applicable codes.



Parts List			
ITEM	QTY	PART NUMBER	DESCRIPTION
1	2	L-1310-03-LB	6" C/L UPPER RAILS
2	1	L-1110-40-LB	4 STEP LOWER LADDER
3	1	L-1100-50	LOWER BOLT KIT

INSTALLATION:
 The ladder is shipped in (3) pieces; (2) upper railings (L-1310-03-LB), the lower ladder section (L-1110-40-LB) along with the Bolt Kit (#L-1100-50).
 Mount the two upper rails to the dock using the lower as a positioning guide. Then install the lower ladder section to the upper rails using the supplied hardware. Reference the mounting dimensions.
 Mounting holes are sized for $\varnothing 3/8"$ hardware supplied by the customer to suit the surface being mounted to. Follow all applicable building codes.

OPERATION:
 Only one person at a time should use the ladder.
 The ladder is not to be used as a mooring point for boats or personal watercraft.
 The mounting bolts used to secure the ladder flanges should be inspected periodically for tightness.
 Assembled Ladder Weight: 36 Lbs.