



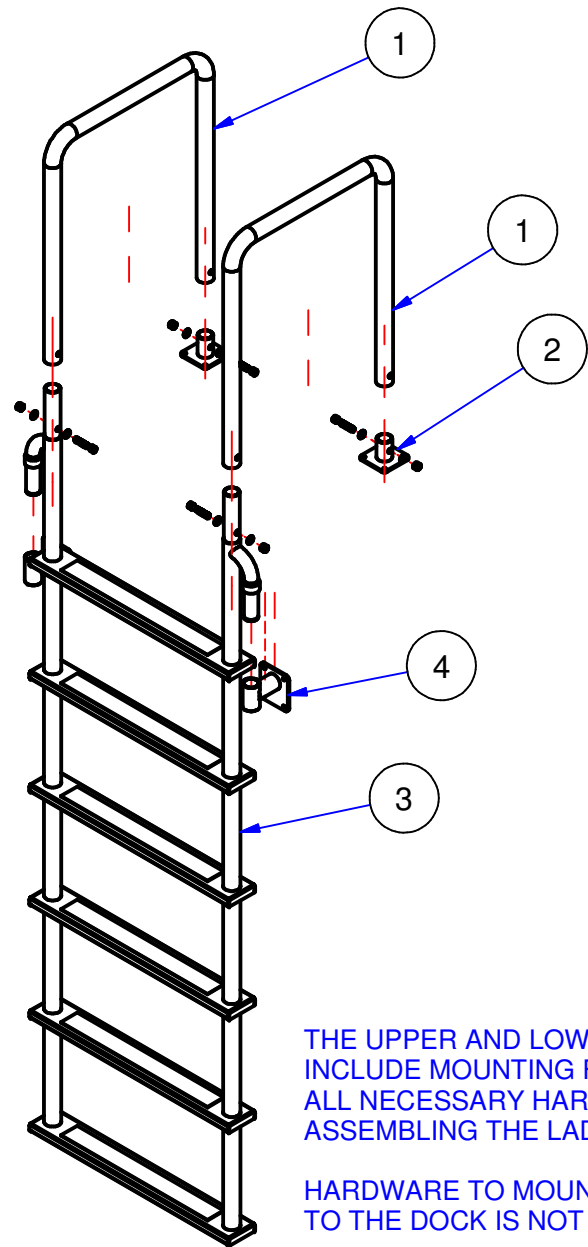
Brey-Krause Manufacturing
 1209 W. Lehigh St., Bethlehem, PA 18018
 Phone: 610-867-1401 Fax: 610-866-1433
 www.breykrause.com
 Brey-Krause Mfg. reserves the right to make changes in design and/or materials without formal notice and without incurring obligation.

TECHNICAL DATA SHEET

L-1227-LB

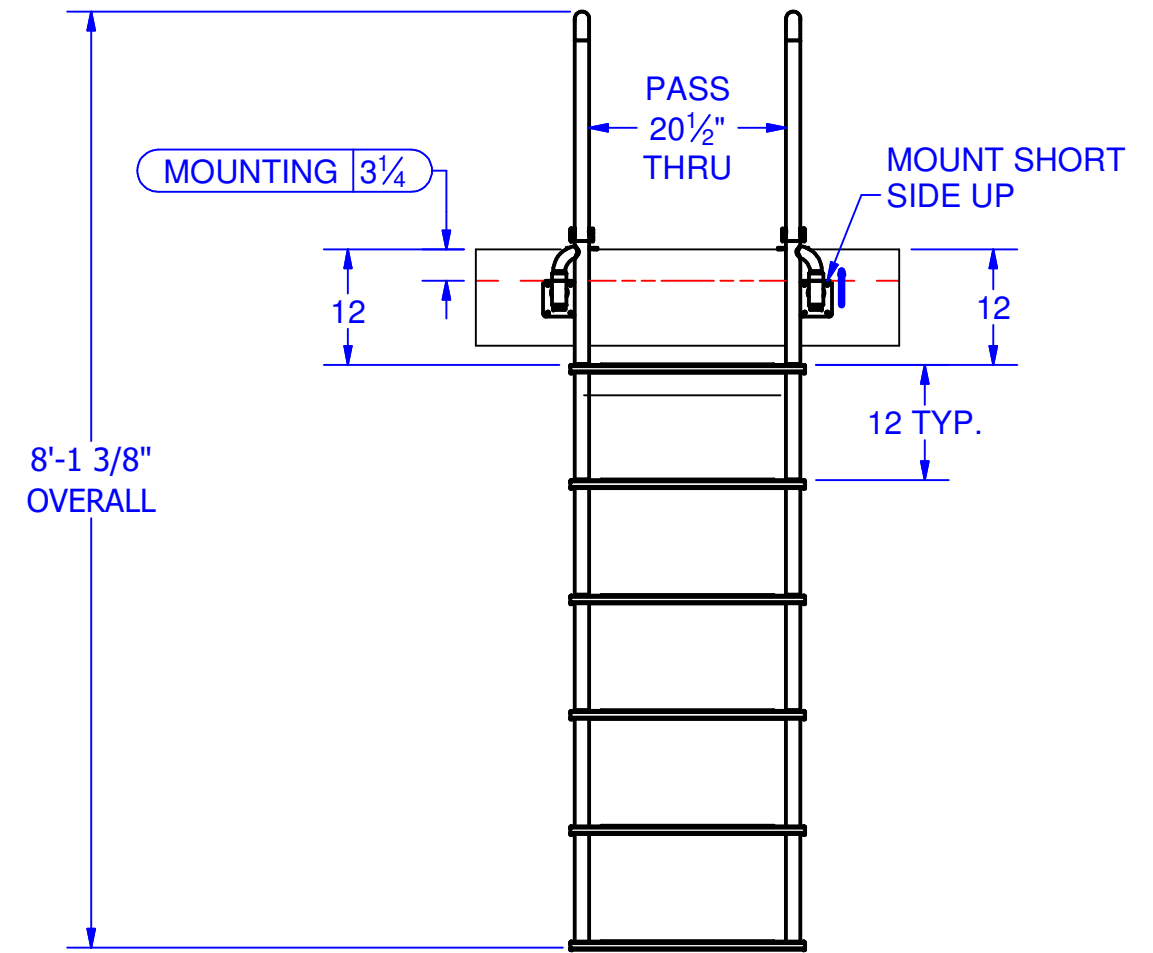
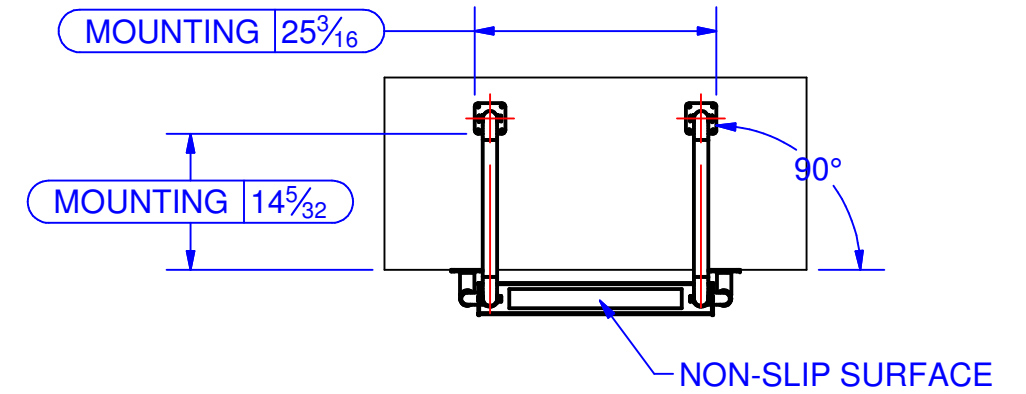
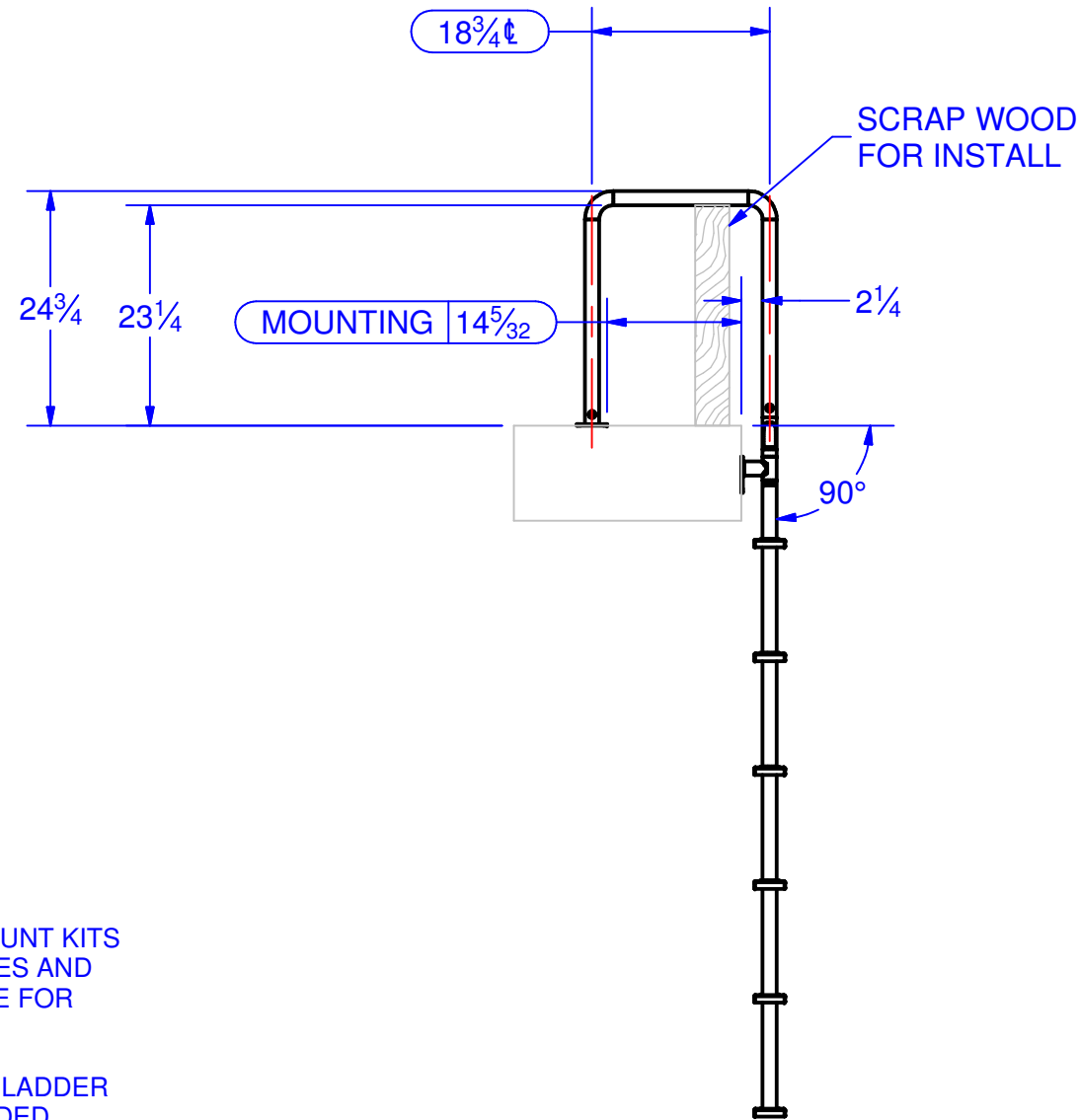
(6) STEP DOCK LADDER, FRONT MOUNT

18³/₄" DEEP UPPER RAIL, DETACHABLE FLANGE



THE UPPER AND LOWER MOUNT KITS INCLUDE MOUNTING FLANGES AND ALL NECESSARY HARDWARE FOR ASSEMBLING THE LADDER.

HARDWARE TO MOUNT THE LADDER TO THE DOCK IS NOT INCLUDED.



Parts List			
ITEM	QTY	PART NUMBER	DESCRIPTION
1	2	L-1221-10-LB	18 3/4" C/L UPPER RAIL
2	1	L-1209-LB	UPPER RAIL MOUNTING KIT
3	1	L-1206-LB	6 STEP LOWER LADDER
4	1	L-1208-LB	LOWER MOUNTING KIT

Installation:

1. Install the (2) Mounting Flanges square to the top surface of the dock using the 14⁵/₃₂" dimension from the front dock mounting surface, 25³/₁₆" apart.
2. Bolt the upper side rails to the lower ladder assembly and then bolt the upper rails to the mounted flanges. Use a scrap piece of wood (2x4) cut to 23¹/₄" to support the upper rails while you mount the lower ladder supports.
3. Slide the slip support flanges onto the lower ladder mounting posts. Use the 3¹/₄" dimension as a reference to maintain the ladder plumb. Check the ladder with a level and mount them to the front face of the dock. (Note the mounting dimensions on the drawing)

Operation:

Only one person at a time should use the ladder.

The ladder is not to be used as a mooring point for boats or personal watercraft.

The mounting bolts used to secure the ladders flanges should be inspected periodically for tightness.

ASSEMBLED LADDER WEIGHT: 42 Lbs.