



BREY-KRAUSE MANUFACTURING
 1209 W. LEHIGH ST., BETHLEHEM, PA 18018
 PHONE: 610-867-1401 FAX: 610-866-1433
 www.breykrause.com
 Brey-Krause Mfg. reserves the right to make changes in design and/or materials without formal notice and without incurring obligation.

TECHNICAL DATA

L-1226-LB (6) STEP DOCK LADDER, FRONT MOUNT 18³/₄" DEEP UPPER RAIL, WELDED FLANGE

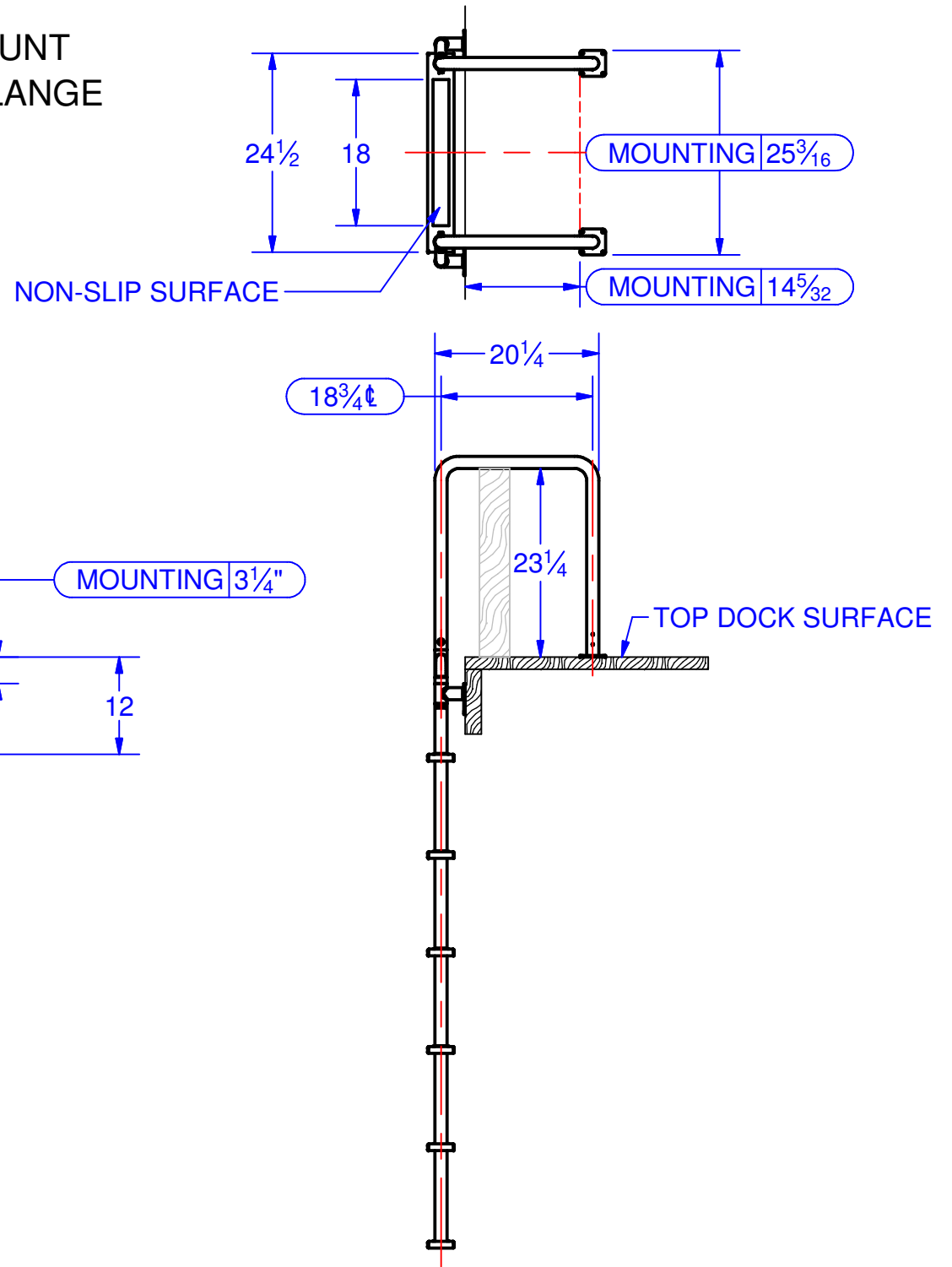
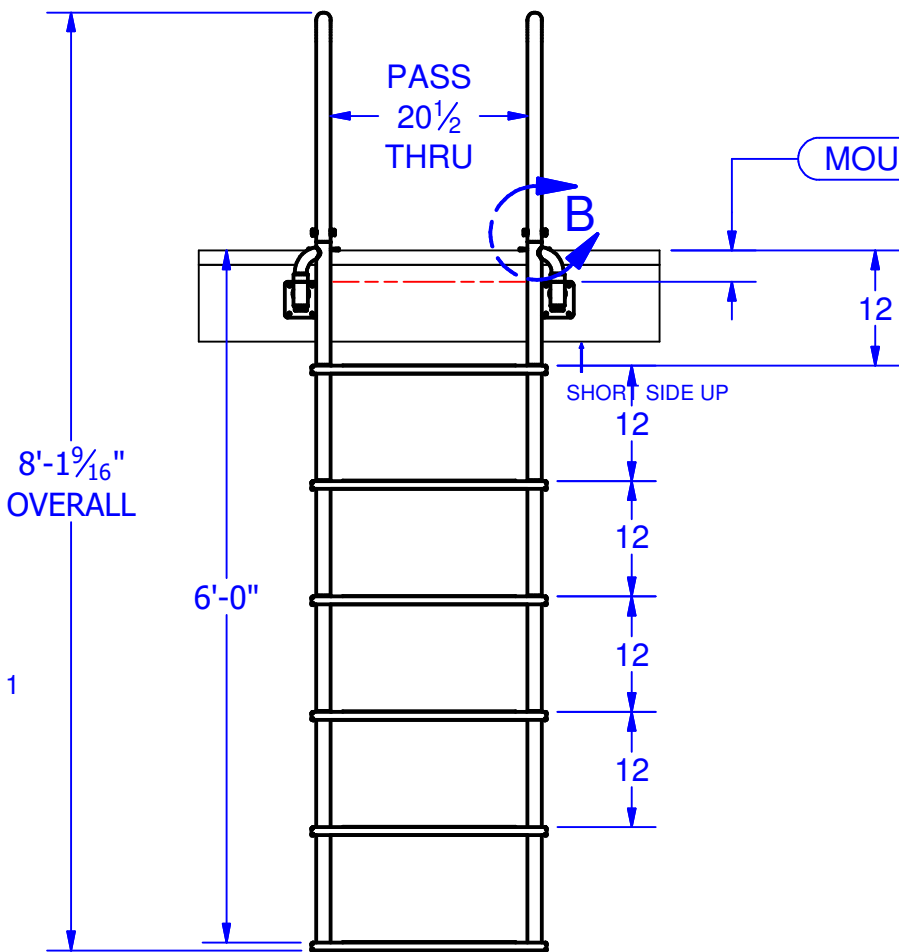
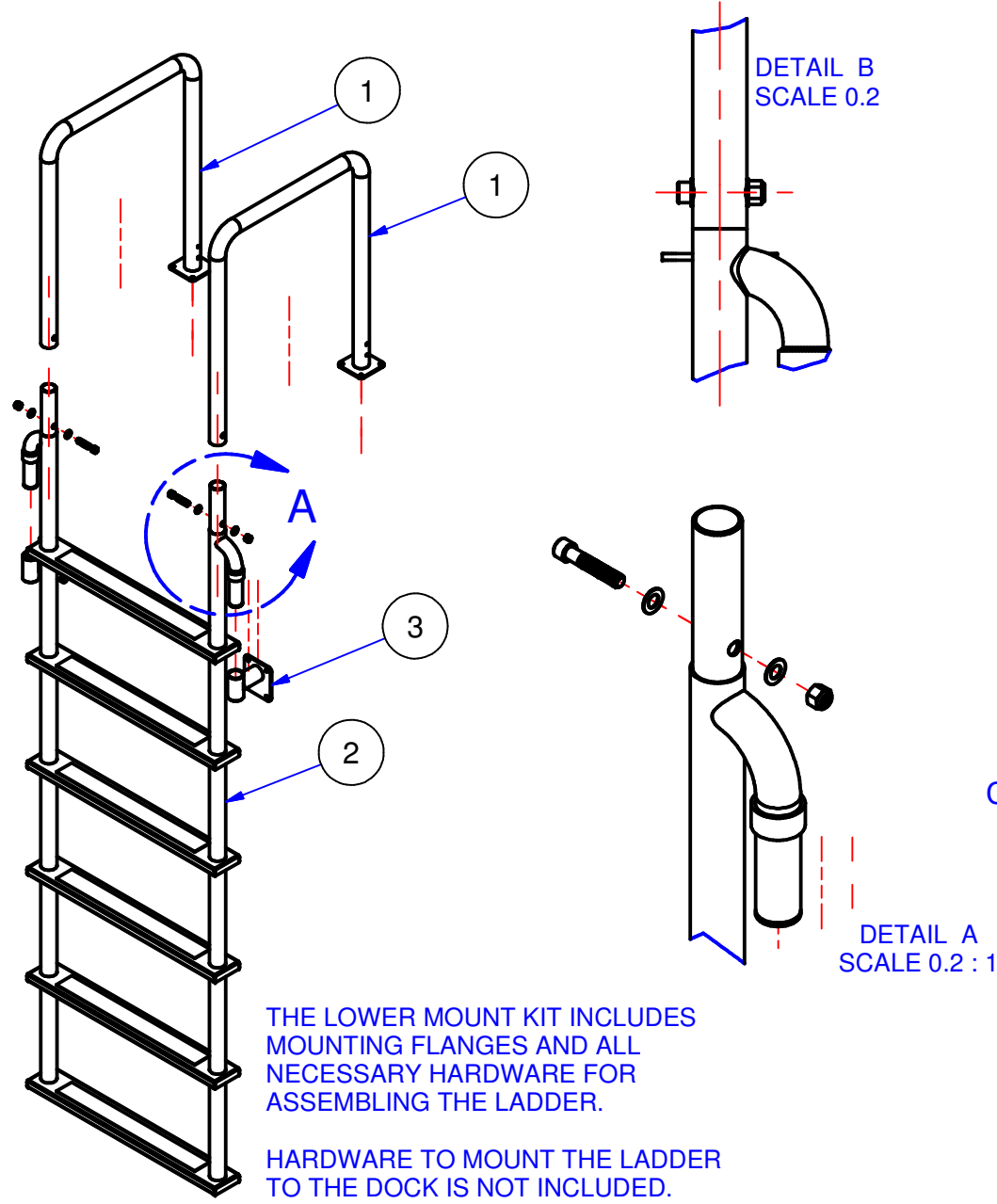
© BREY-KRAUSE MFG. 2022

DATE:

3/28/2022

B

FILE: L-1226-LB_Tech_DATA



Parts List			
ITEM	QTY	PART NUMBER	DESCRIPTION
1	2	L-1221-03-LB	18 3/4" UPPER RAILS, WELDED
2	1	L-1206-LB	6 STEP LOWER LADDER
3	1	L-1208-LB	LOWER MOUNTING KIT

INSTALLATION:

1. Install the (2) upper rail assemblies square to the top surface of the dock using the 14⁵/₃₂" dimension from the front dock mounting surface, rail to rail 25³/₁₆" apart to the outside of the flanges.
2. Slide the lower ladder fully into the upper rails and install the bolts. Use a scrap piece of wood (2x4) cut to 23¹/₄" to support the upper rails while you mount the lower ladder.
3. Slide the slip support flanges onto the lower ladder mounting posts, short end up. Use the 3¹/₄" dimension as a reference to maintain the ladder plumb. Check the ladder with a level and mount them to the front face of the dock. Check that all bolts are tight. (Note the mounting dimensions on the drawing)

Operation:
 Only one person at a time should use the ladder.

The ladder is not to be used as a mooring point for boats or personal watercraft.

The mounting bolts used to secure the ladder flanges should be inspected periodically for tightness.

Assembled Ladder Weight: 47 Lbs.