

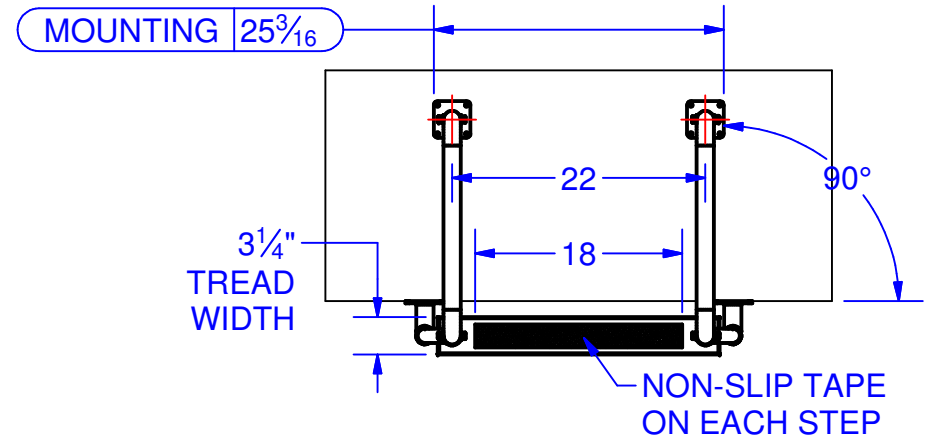


Brey-Krause Manufacturing  
 1209 W. Lehigh St., Bethlehem, PA 18018  
 Phone: 610-867-1401 Fax: 610-866-1433  
 www.breykrause.com  
 Brey-Krause Mfg. reserves the right to make changes in design and/or materials without formal notice and without incurring obligation.

# Technical Data Sheet

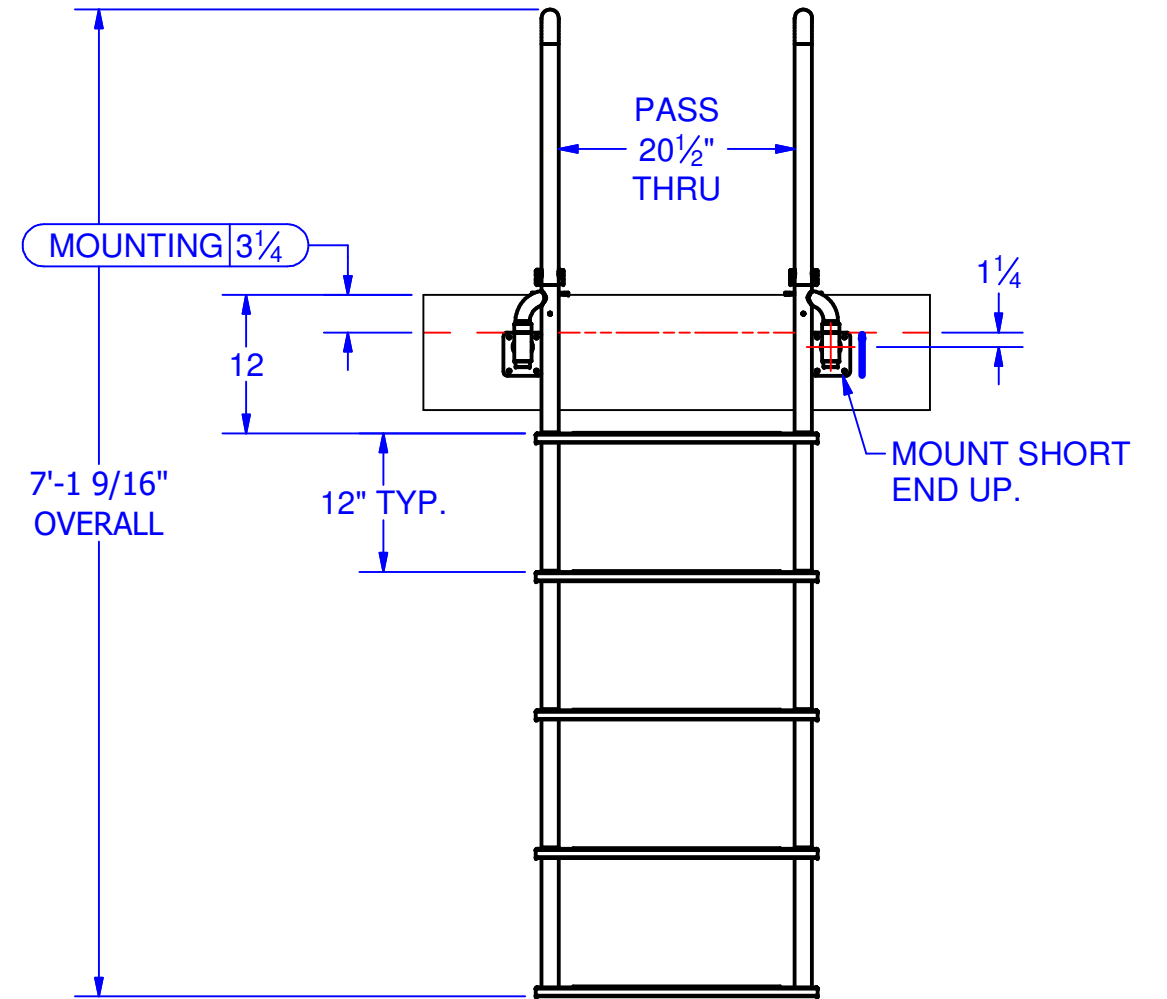
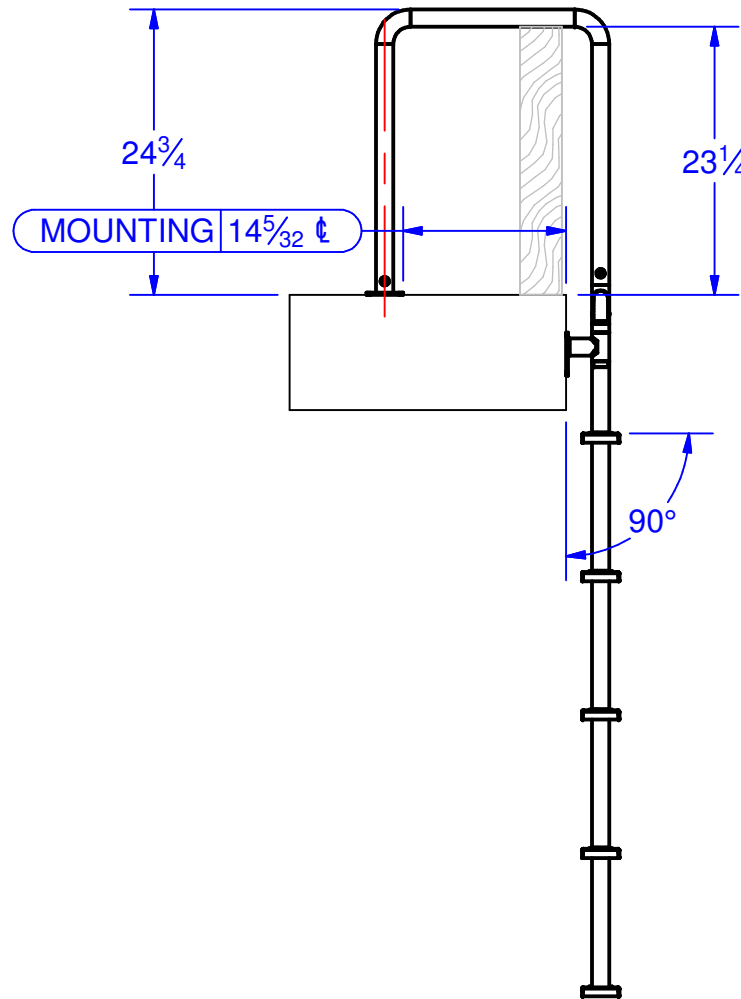
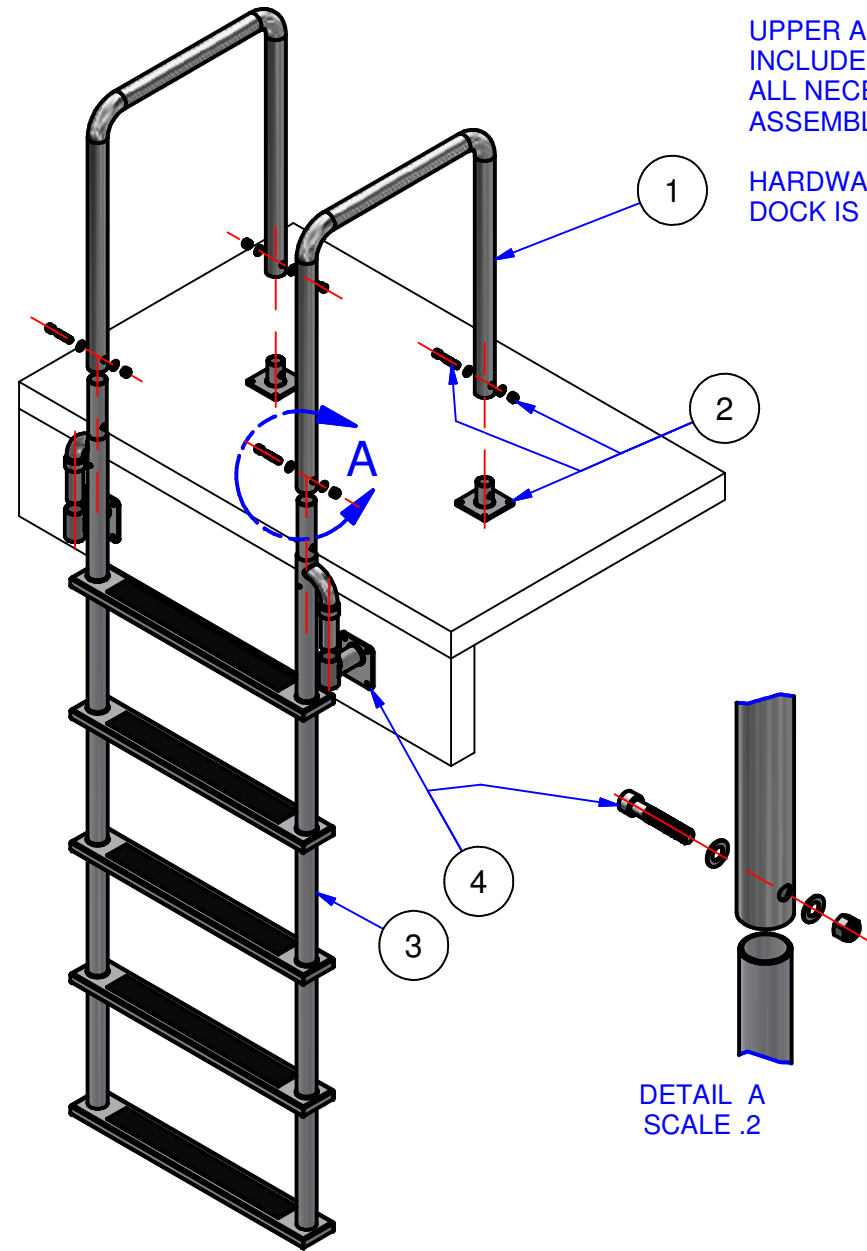
© Brey-Krause Mfg. 2016

## L-1225-LB 5 STEP DOCK LADDER, FRONT MOUNT 18<sup>3</sup>/<sub>4</sub>" DEEP UPPER RAIL, DETACHABLE FLANGE



UPPER AND LOWER MOUNT KITS INCLUDE MOUNTING FLANGES AND ALL NECESSARY HARDWARE FOR ASSEMBLING THE LADDER.

HARDWARE TO BOLT THE LADDER TO THE DOCK IS NOT INCLUDED.



Parts List			
ITEM	QTY	PART NUMBER	DESCRIPTION
1	2	L-1221-10-LB	UPPER RAIL
2	1	L-1209-LB	UPPER RAIL MOUNT KIT
3	1	L-1205-LB	5 STEP LOWER LADDER
4	1	L-1208-LB	LOWER LADDER MOUNT KIT

**Installation:**

1. Install the (2) Mounting Flanges square to the top surface of the dock using the 14<sup>5</sup>/<sub>32</sub>" dimension from the front dock mounting surface, 25<sup>3</sup>/<sub>16</sub>" apart.
2. Bolt the upper side rails to the lower ladder assembly and then bolt the upper rails to the mounted flanges. Use a scrap piece of wood (2x4) cut to 23<sup>1</sup>/<sub>4</sub>" to support the upper rails while you mount the lower ladder supports.
3. Slide the slip support flanges onto the lower ladder mounting posts. Use the 3<sup>1</sup>/<sub>4</sub>" dimension as a reference to maintain the ladder plumb. Check the ladder with a level and mount them to the front face of the dock. (Note the mounting dimensions on the drawing)

**Operation:**  
 Only one person at a time should use the ladder.  
 The ladder is not to be used as a mooring point for boats or personal watercraft.  
 The mounting bolts used to secure the ladders flanges should be inspected periodically for tightness.  
 ASSEMBLED LADDER WEIGHT: 42 Lbs.