



BREY-KRAUSE MANUFACTURING
 1209 W. LEHIGH ST., BETHLEHEM, PA 18018
 PHONE: 610-867-1401 FAX: 610-866-1433
 www.breykrause.com
 Brey-Krause Mfg. reserves the right to make changes in design and/or materials without formal notice and without incurring obligation.

TECHNICAL DATA SHEET
L-1222-LB
 STAINLESS STEEL (5) STEP
 DOCK LADDER FIXED FRONT MOUNT
 WELDED 18³/₄" DEEP UPPER RAIL MOUNTING

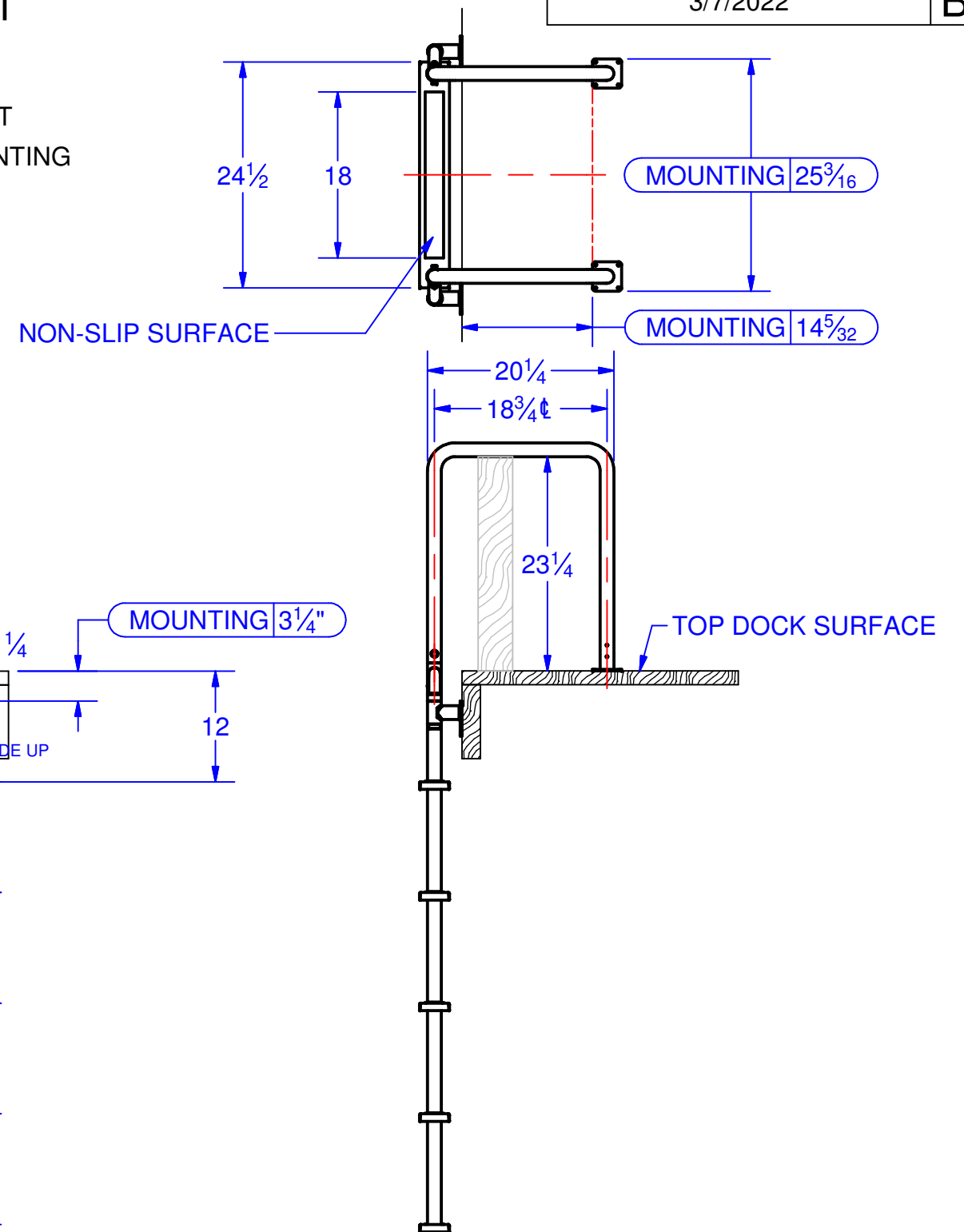
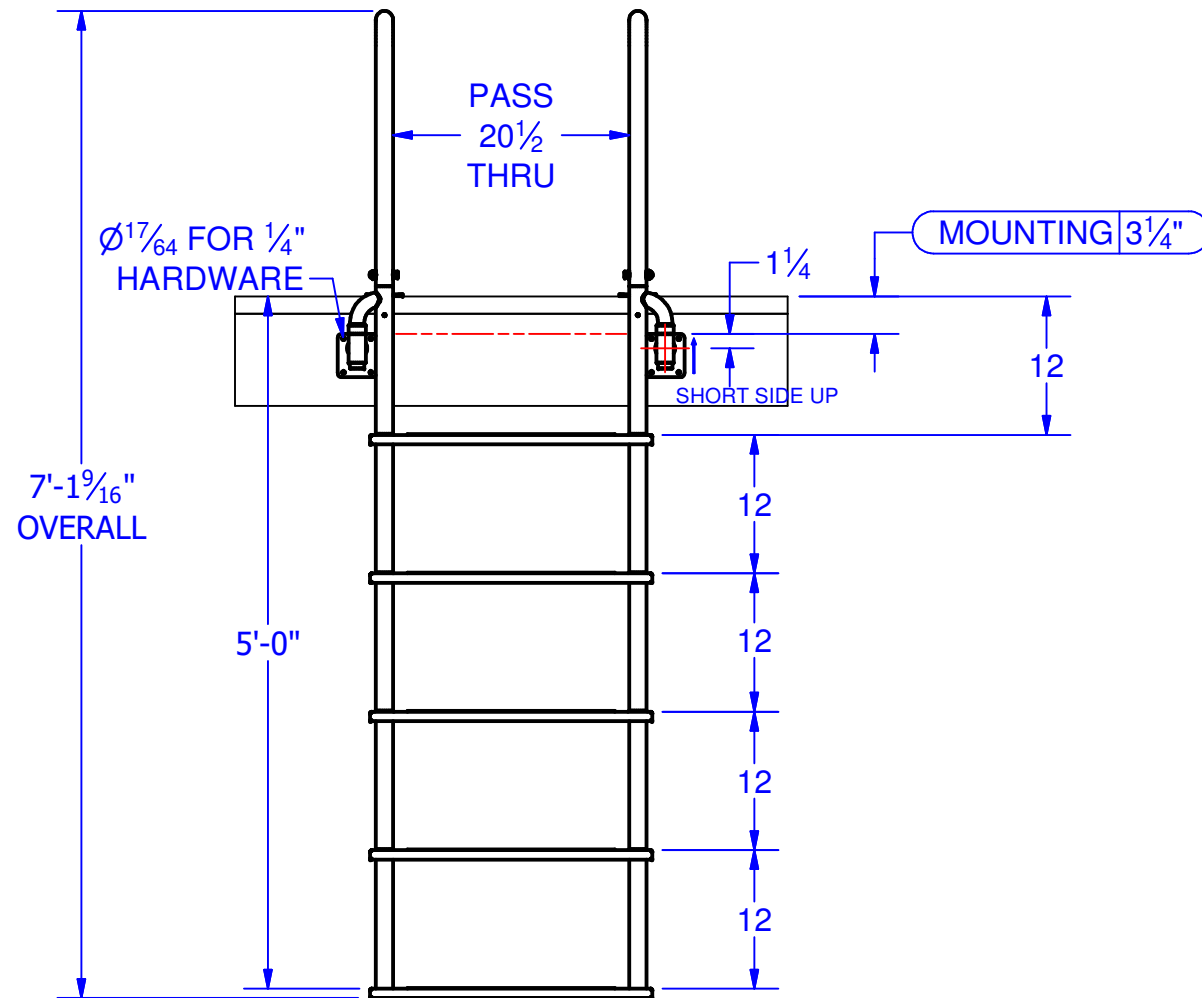
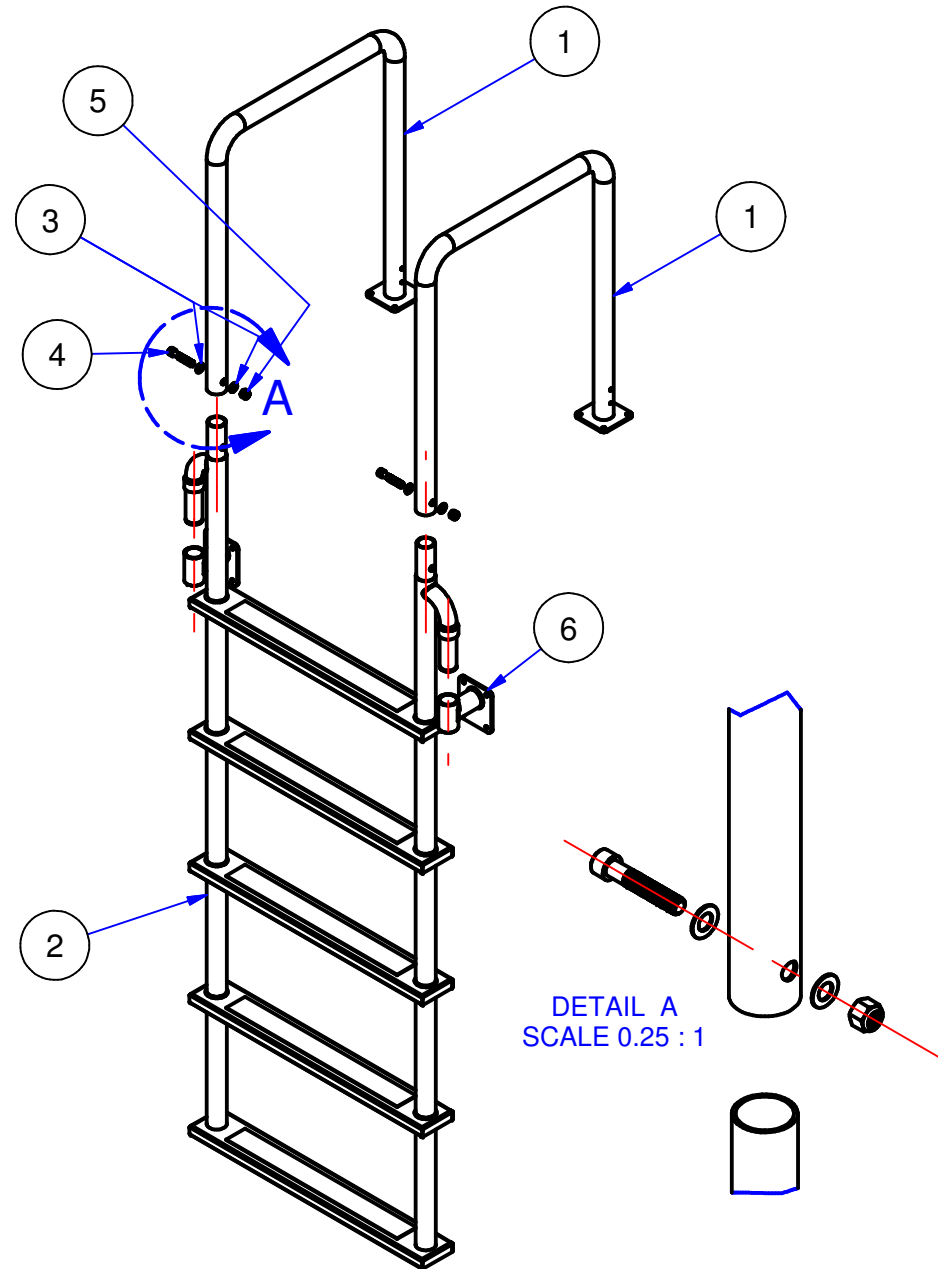
© BREY-KRAUSE MFG. 2022

DATE:

3/7/2022

B

FILE: L-1222-LB_Tech_DATA



PARTS LIST

ITEM	QTY	PART NUMBER	DESCRIPTION
1	2	L-1221-03-LB	UPPER RAIL ASSEMBLY
2	1	L-1205-SS	5 STEP LOWER ASSEMBLY
3	4	M-8048-99	SS WASHER, 0.390 X 5/8"
4	2	M-4307-32	SS 3/8-16 X 2 SHCS
5	2	M-5537-99	SS 3/8-16 NYLOC NUT
6	2	L-1200-10-LB	LOWER MOUNTING FLANGES

INSTALLATION:

1. Install the (2) upper rail assemblies square to the top surface of the dock using the 14⁵/₃₂" dimension from the front dock mounting surface, rail to rail 25³/₁₆" apart to the outside of the flanges.
2. Slide the lower ladder fully into the upper rails and install the bolts. Use a scrap piece of wood (2x4) cut to 23¹/₄" to support the upper rails while you mount the lower ladder.
3. Slide the slip support flanges onto the lower ladder mounting posts, short end up. Use the 3¹/₄" dimension as a reference to maintain the ladder plumb. Check the ladder with a level and mount them to the front face of the dock. Check that all bolts are tight. (Note the mounting dimensions on the drawing)

Operation:

- Only one person at a time should use the ladder.
- The ladder is not to be used as a mooring point for boats or personal watercraft.
- The mounting bolts used to secure the ladder flanges should be inspected periodically for tightness.
- Assembled Ladder Weight: 42 Lbs.