



**BREY-KRAUSE MANUFACTURING**  
 1209 W. LEHIGH ST., BETHLEHEM, PA 18018  
 PHONE: 610-867-1401 FAX: 610-866-1433  
 www.breykrause.com  
 Brey-Krause Mfg. reserves the right to make changes in design and/or materials without formal notice and without incurring obligation.

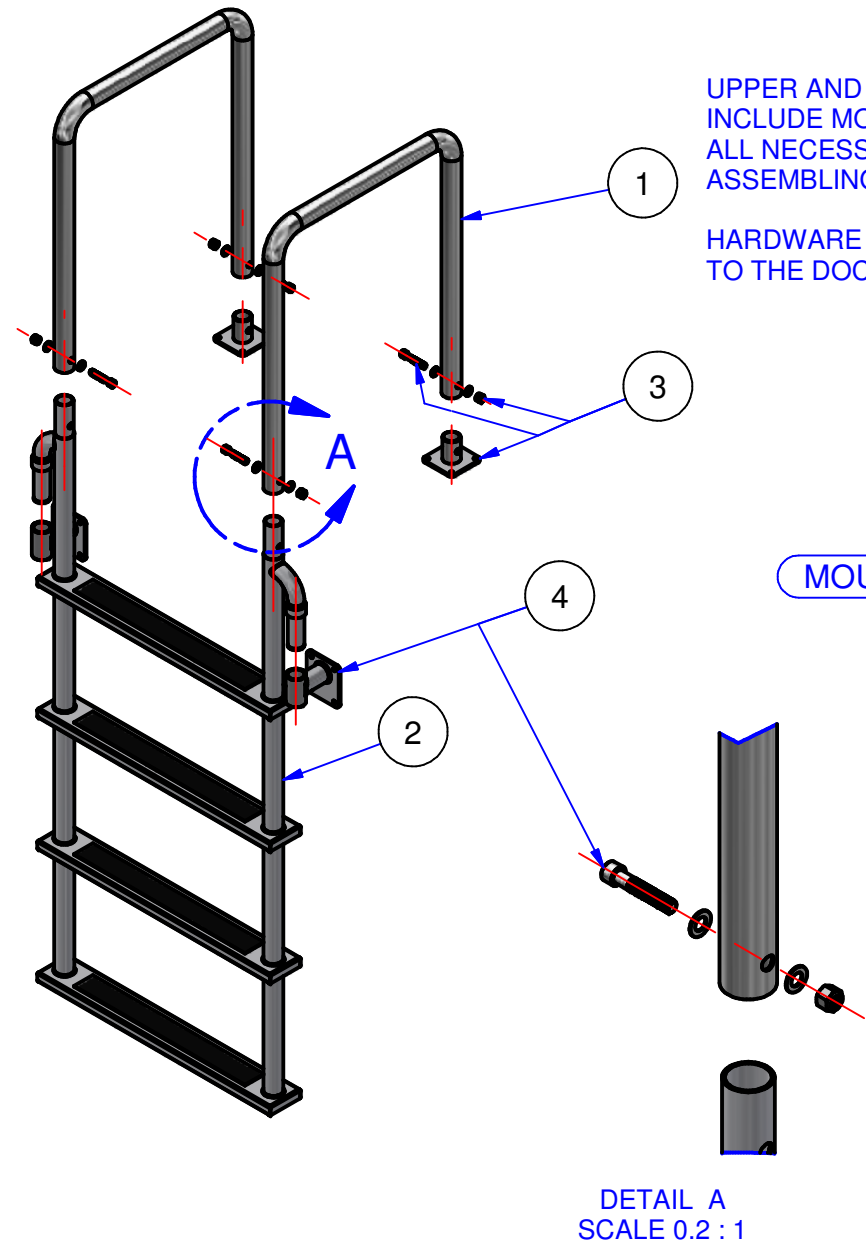
# TECHNICAL DATA SHEET

## L-1221-LB

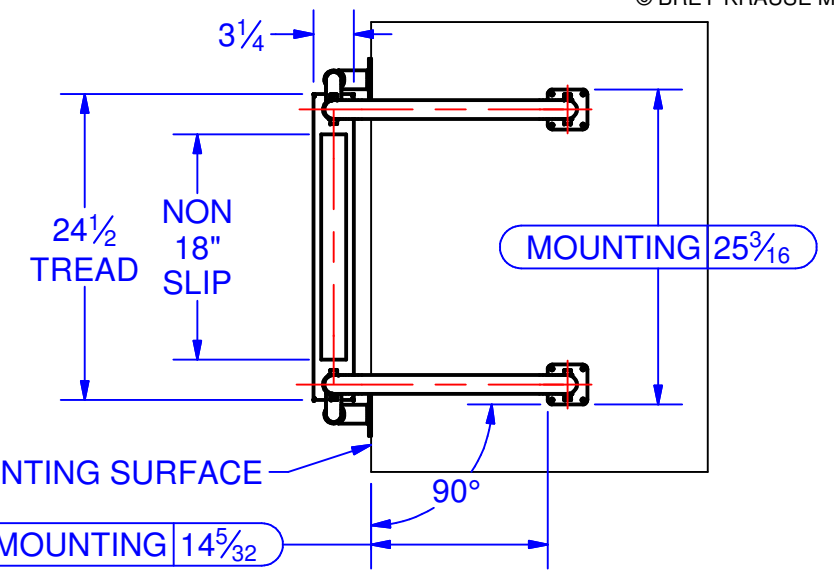
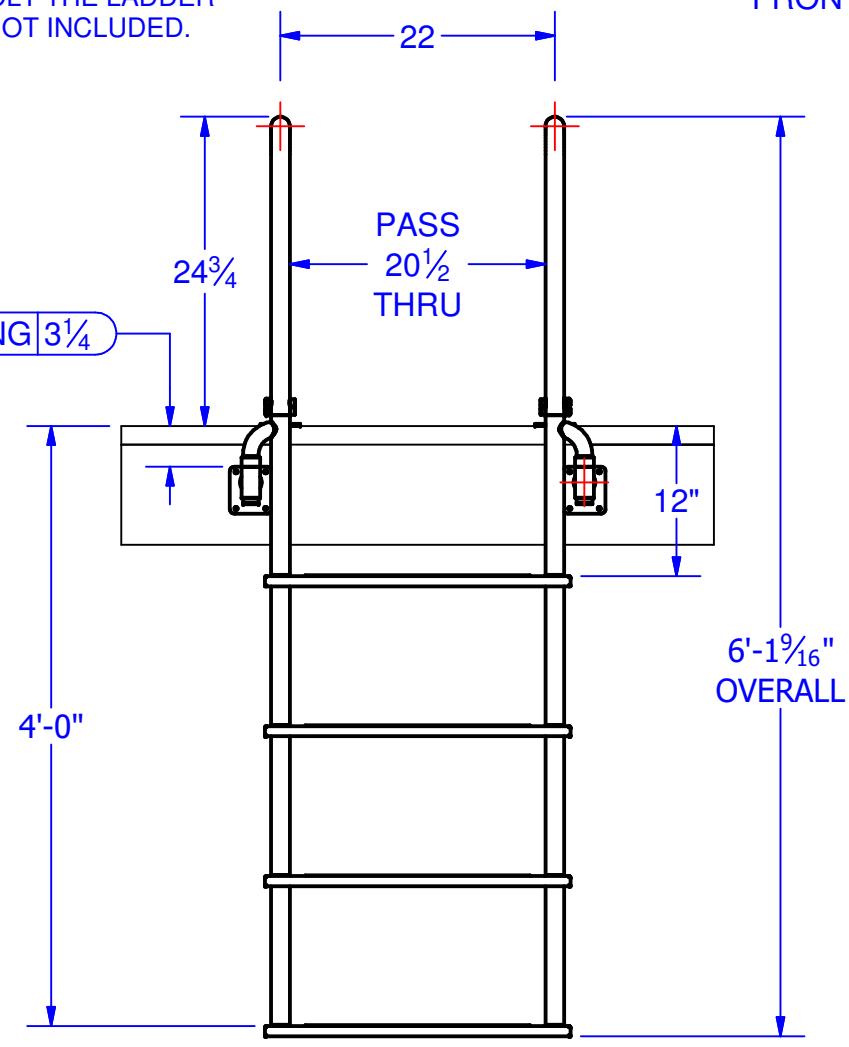
### (4) STEP FRONT MOUNT DETACHABLE UPPER

© BREY-KRAUSE MFG. 2022

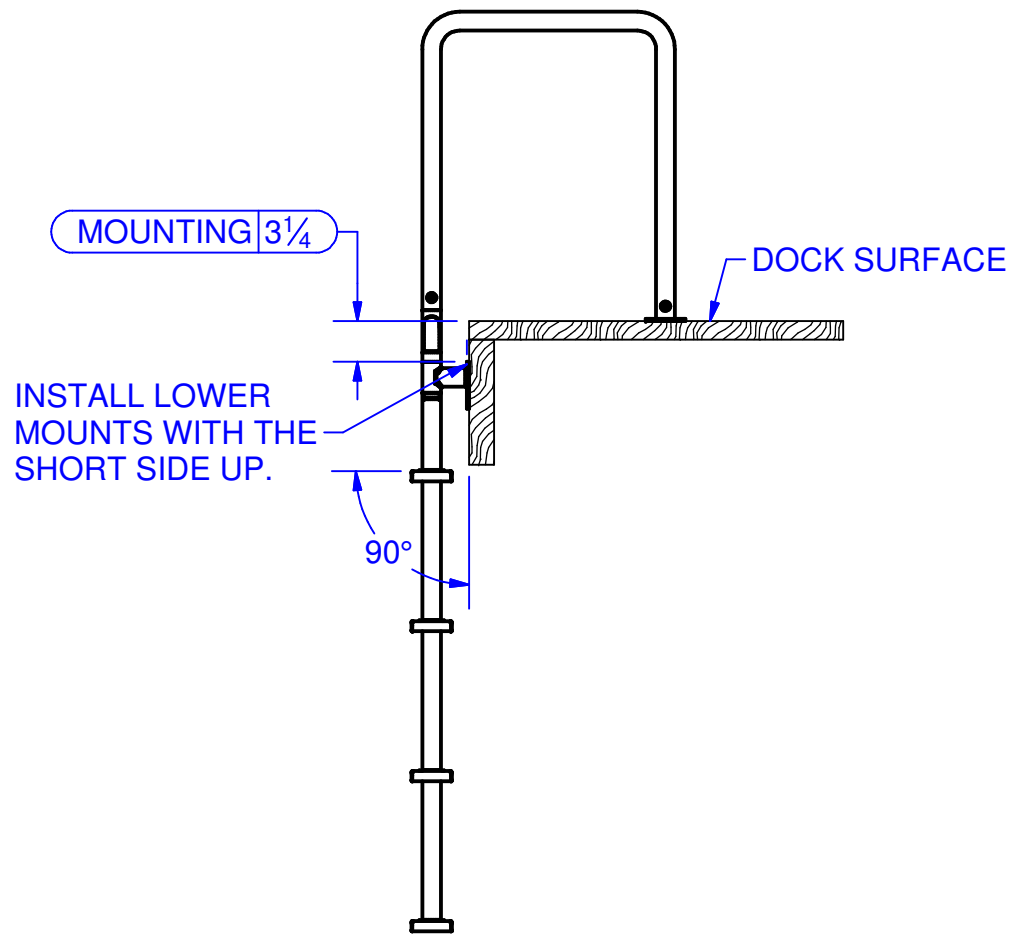
FILE: L-1221-LB\_Tech\_Data



UPPER AND LOWER MOUNT KITS INCLUDE MOUNTING FLANGES AND ALL NECESSARY HARDWARE FOR ASSEMBLING THE LADDER.  
 HARDWARE TO BOLT THE LADDER TO THE DOCK IS NOT INCLUDED.



FRONT MOUNTING SURFACE



#### PARTS LIST

ITEM	QTY	PART NUMBER	DESCRIPTION
1	2	L-1221-10-LB	UPPER RAIL
2	1	L-1204-LB	4 STEP LOWER LADDER
3	1	L-1209-LB	UPPER RAIL MOUNT KIT
4	1	L-1208-LB	LOWER LADDER MOUNT KIT

#### INSTALLATION:

- INSTALL (2) MOUNTING FLANGES SQUARE TO THE TOP SURFACE OF THE DOCK USING THE 14 <sup>5</sup>/<sub>32</sub>" DIMENSION FROM THE FRONT DOCK MOUNTING SURFACE.
- BOLT THE UPPER SIDE RAILS TO THE LOWER LADDER ASSEMBLY AND THEN BOLT THE LADDER TO THE MOUNTED UPPER FLANGES.
- SLIDE THE SLIP SUPPORT MOUNTING FLANGES ONTO THE LOWER LADDER MOUNTING POSTS USING THE 3 <sup>1</sup>/<sub>4</sub>" DIM. AS A REFERENCE TO MAINTAIN THE LADDER PLUMB. CHECK WITH A LEVEL AND INSTALL THEM TO THE FRONT FACE OF THE DOCK. (NOTE THE MOUNTING DIMENSIONS SHOWN.)

#### OPERATION:

Only one person at a time should use the ladder.  
 The ladder is not to be used as a mooring point for boats or personal watercraft.  
 The mounting bolts used to secure the ladders flanges should be inspected periodically for tightness.  
**ASSEMBLED LADDER WEIGHT: 32 Lbs.**