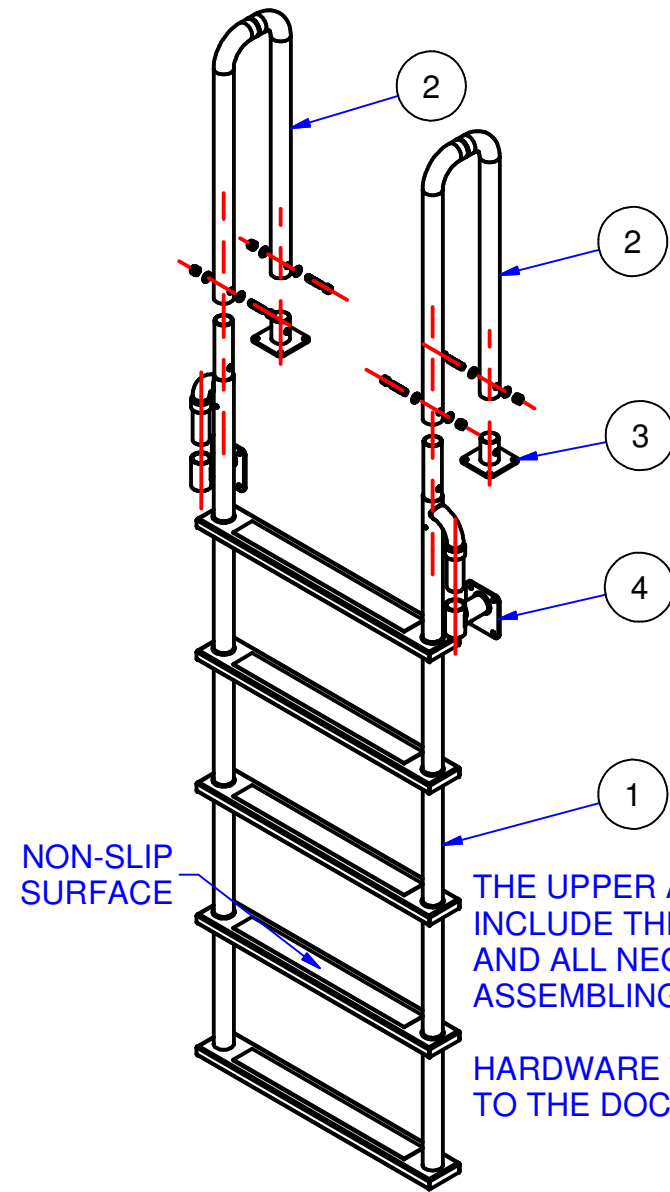




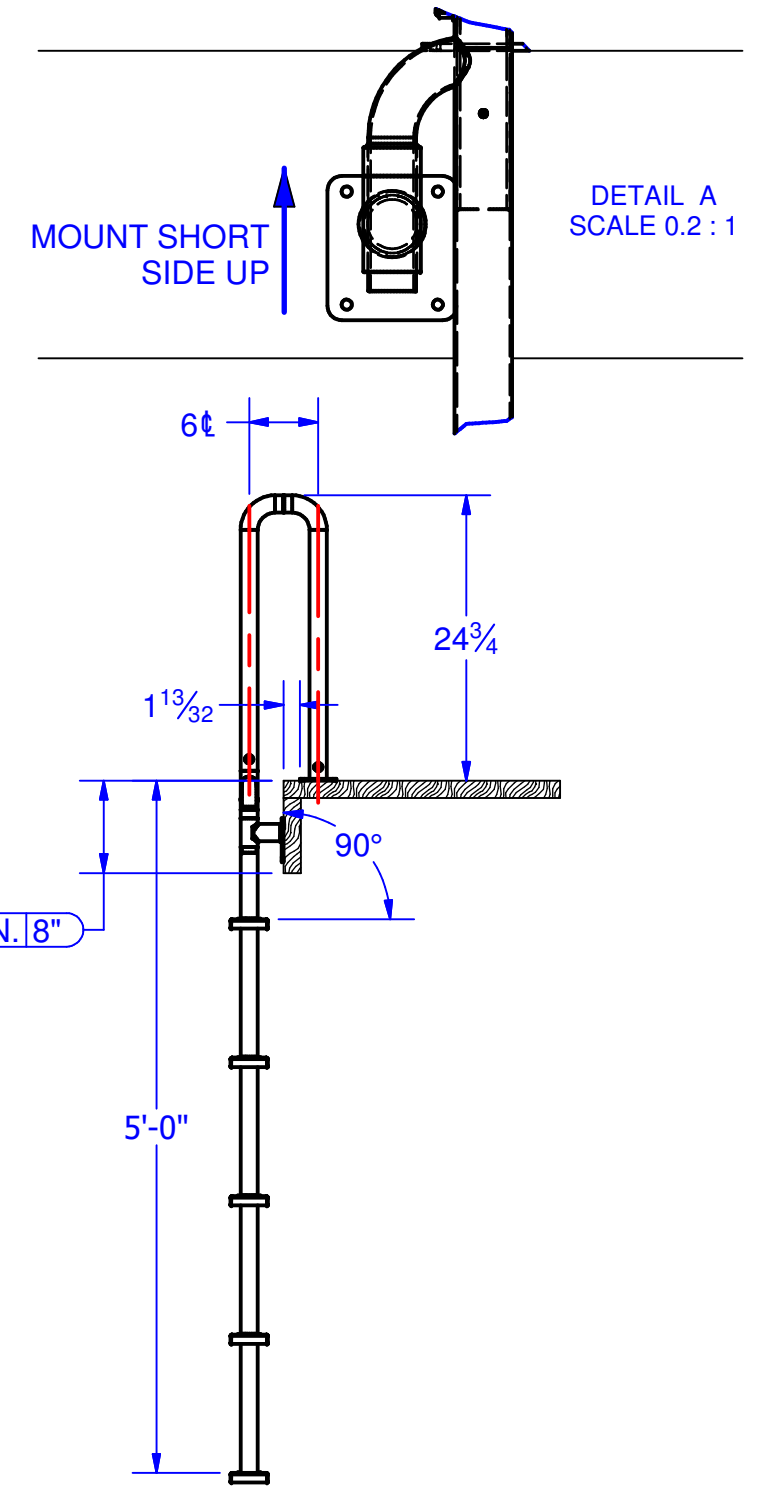
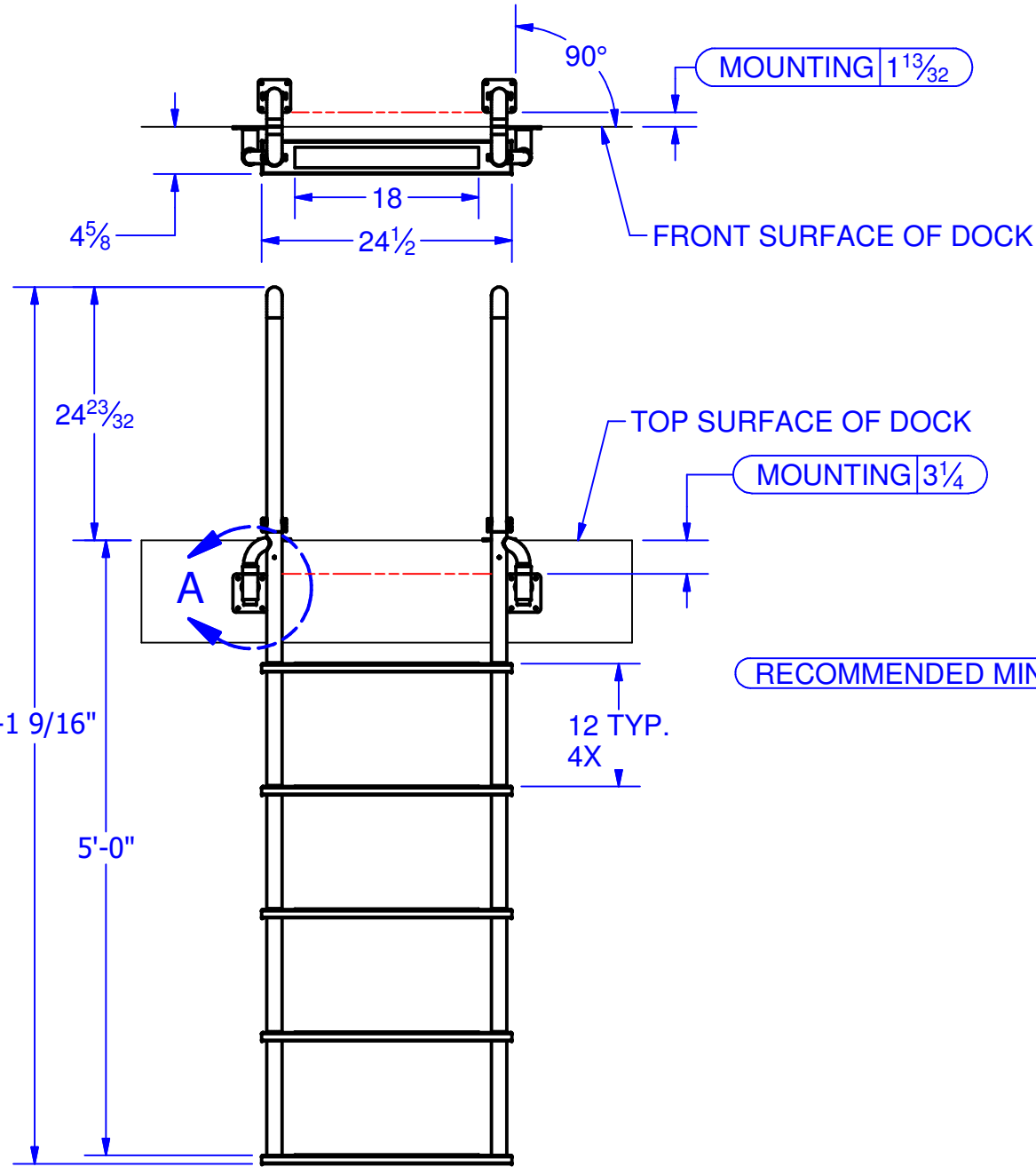
Brey-Krause Manufacturing
 1209 W. Lehigh St., Bethlehem, PA 18018
 Phone: 610-867-1401 Fax: 610-866-1433
 www.breykrause.com
 Brey-Krause Mfg. reserves the right to make changes in design and/or materials without formal notice and without incurring obligation.

Technical Data Sheet

L-1215-LB
 (5) STEP DOCK LADDER, FRONT MOUNT
 6" ϕ DEEP UPPER RAIL, DETACHABLE FLANGE



THE UPPER AND LOWER MOUNT KITS INCLUDE THE MOUNTING FLANGES AND ALL NECESSARY HARDWARE FOR ASSEMBLING THE LADDER.
 HARDWARE TO MOUNT THE LADDER TO THE DOCK IS NOT INCLUDED.



Parts List			
ITEM	QTY	PART NUMBER	DESCRIPTION
1	1	L-1205-LB	5 STEP LOWER LADDER
2	2	L-1210-03-LB	6" UPPER RAIL, DETACHABLE
3	1	L-1209-LB	UPPER RAIL MOUNTING KIT
4	1	L-1208-LB	LOWER LADDER MOUNTING KIT

Installation:
 1) Bolt the upper mounting flanges (Item 3) to the hand rails (Item 2), then bolt the hand rails to the lower ladder. Position the ladder in the desired location on the dock. Slide the slip supports onto the lower ladder and mark the screw hole positions for the slip supports.
 2) Drill and mount the slip supports (Item 4) to the dock, assuring the proper location. Mount the slip support (Item 4) short side up for easier fastener installation. (See Detail A) Slide the ladder onto the slip supports, check location and assure the ladder is plumb.
 3) Mark, drill and mount the upper hand rail flanges. Check and tighten all fasteners.

Operation:
 Only one person at a time should use the ladder.
 The ladder is not to be used as a mooring point for boats or personal watercraft.
 The mounting bolts used to secure the ladder flanges should be inspected periodically for tightness.
 Assembled Ladder Weight: 40 Lbs.