



BREY-KRAUSE MANUFACTURING
 1209 W. LEHIGH ST., BETHLEHEM, PA 18018
 PHONE: 610-867-1401 FAX: 610-866-1433
 www.breykrause.com
 Brey-Krause Mfg. reserves the right to make changes in design and/or materials without formal notice and without incurring obligation.

TECHNICAL DATA SHEET

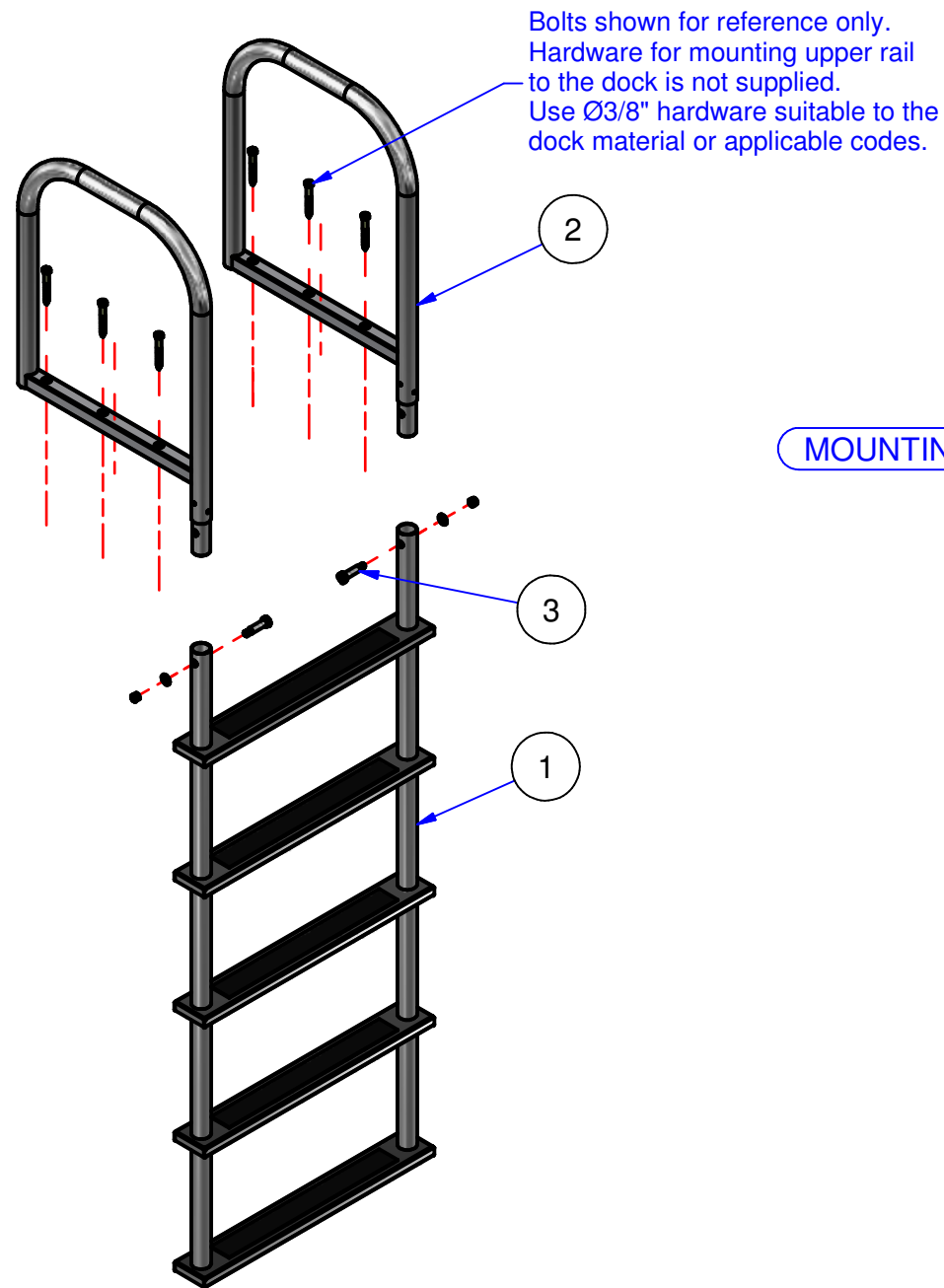
L-1120-LB

5 STEP DOCK LADDER, TOP MOUNT

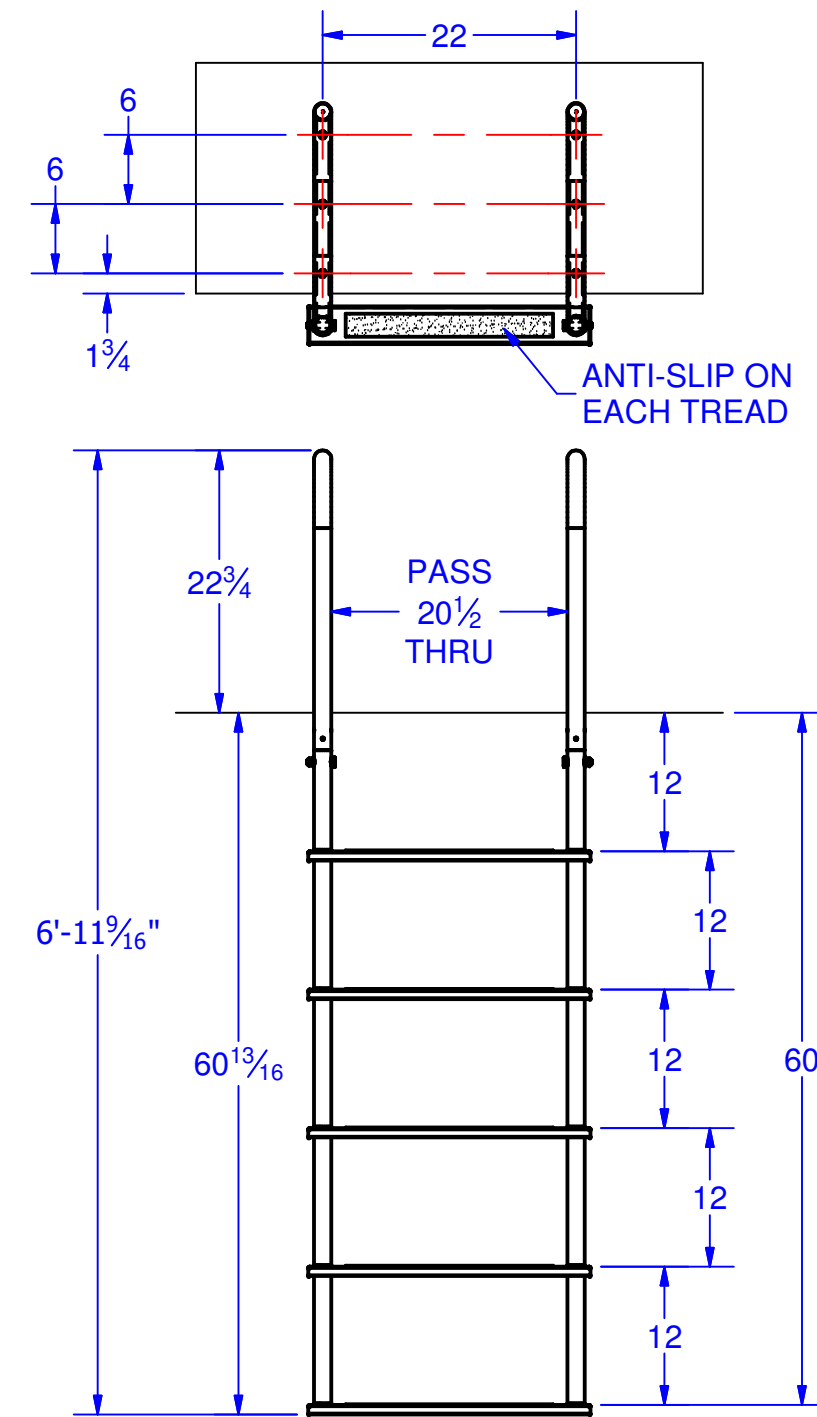
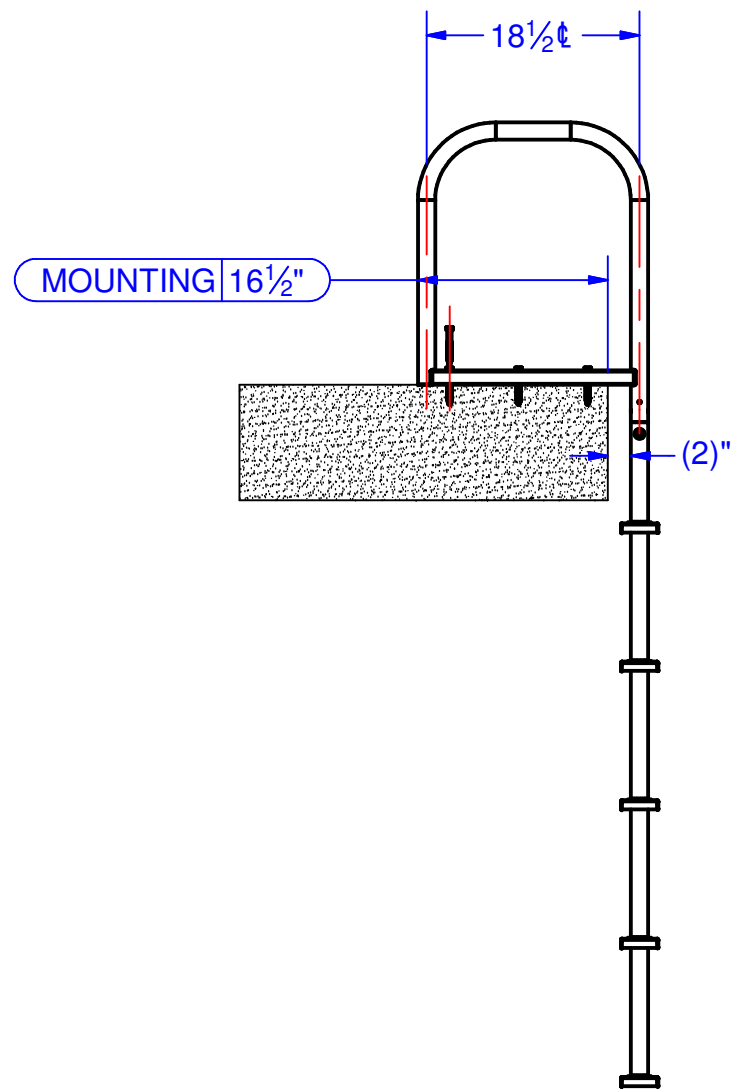
18½" C/L UPPER RAILS

DATE: 4/19/2022 **B**

FILE: L-1120-LB_Tech_DATA



Bolts shown for reference only.
 Hardware for mounting upper rail to the dock is not supplied.
 Use Ø3/8" hardware suitable to the dock material or applicable codes.



Parts List			
ITEM	QTY	PART NUMBER	DESCRIPTION
1	1	L-1110-50-LB	5 STEP LOWER LADDER
2	2	L-1100-35-LB	18-1/2" C/L UPPER RAILS
3	1	L-1100-50	LOWER HARDWARE KIT

INSTALLATION:
 The ladder is shipped in (3) pieces; (2) upper railings (L-1110-35-LB), the lower ladder section (L-1100-50-LB) along with the Bolt Kit (#L-1100-50).
 Mount the two upper rails to the dock (22" apart) using the lower as a positioning guide. Then install the lower ladder section to the upper rails using the supplied hardware. Reference the mounting dimensions.
 Mounting holes are sized for Ø3/8" hardware supplied by the customer to suit the surface being mounted to. Follow all applicable building codes.

OPERATION:
 Only one person at a time should use the ladder.
 The ladder is not to be used as a mooring point for boats or personal watercraft.
 The mounting bolts used to secure the ladder should be inspected periodically for tightness.
 Assembled Ladder Weight: 40 Lbs.