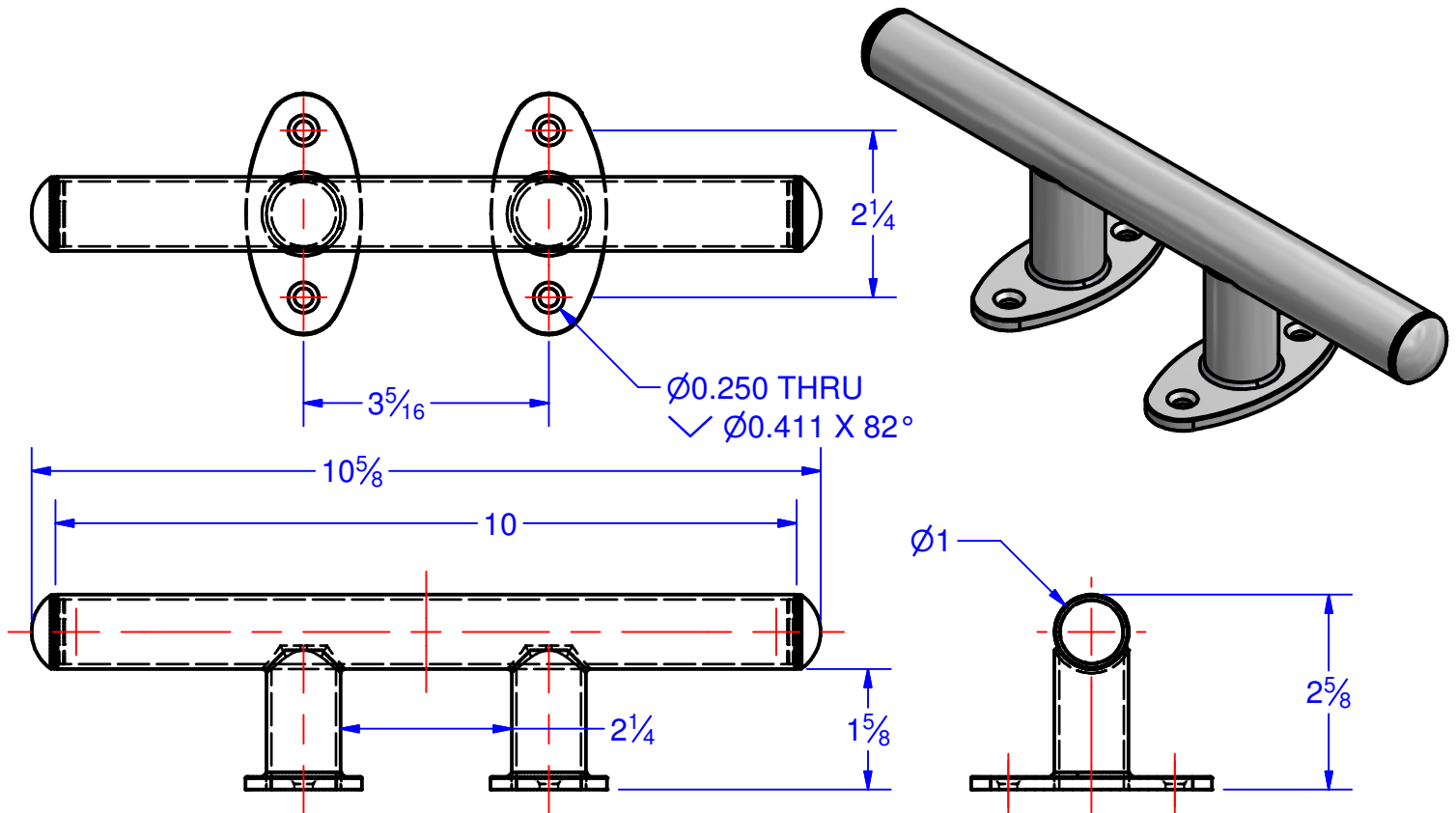




TECHNICAL DATA SHEET

L-0710-SS
10" DOCK CLEAT

DRAWN BY: K. R. Reinhart	4/8/2015
TOLERANCES:	
FRACTION : $\pm \frac{1}{8}$ "	X.XX : ± 0.010
\angle : $\pm 1^\circ$	X.XXX : ± 0.005



CONSTRUCTION:

$\varnothing 1$ " x 0.065 WALL 304 STAINLESS STEEL TUBING. MOUNTING FLANGES ARE STAMPED FROM 7 GAUGE 304 STAINLESS. END CAPS ARE 303 STAINLESS STEEL. ALL PARTS ARE TIG WELDED COMPLETE AND PASSIVATED FOR CORROSION PROTECTION. OVERALL FINISH IS #4 SATIN. PULL TESTED TO 2,250 LBS. USING (4) $\frac{1}{4}$ " x $1\frac{1}{2}$ " WOOD SCREWS.

INSTALLATION:

CLEAT CAN BE SURFACE MOUNTED TO DOCK OR POST WITH (4) FLAT HEAD SCREWS (NOT PROVIDED). SEE DRAWING FOR SCREW LOCATIONS.

OPERATION:

CONVENTIONAL, MAXIMUM PASS THROUGH BETWEEN POSTS IS $1\frac{1}{2}$ ". CLEAT CAN ALSO BE ORDERED WITH POLYESTER POWDER COATING FOR AREAS WHERE HIGH VISIBILITY IS WANTED.

POWDER COATED CLEAT IS PART NUMBER L-0708-PC (SPECIFY COLOR) STANDARD COLORS AVAILABLE ARE SAFETY YELLOW AND WET WHITE. OTHER COLORS ARE AVAILABLE VIA SPECIAL ORDER.