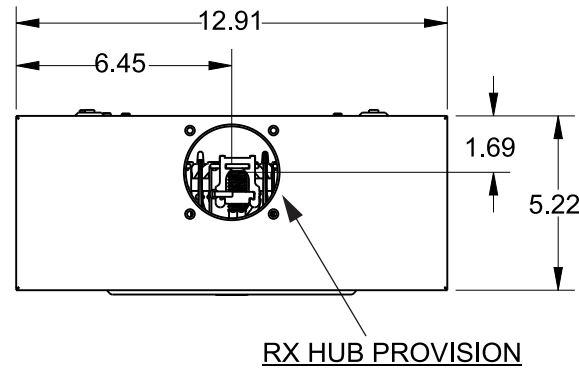


Catalog Number: 41407-025F

Features and Ratings

- Ringless Type Meter Socket
- 200A Continuous, 250A Max.
- Outdoor Enclosure (NEMA Type 3R)
- 3 Phase, 4 Wire, 600V AC
- 7 Jaw
- HQ Clamp Jaw Lever Bypass Meter Socket
- For Overhead or Underground Service
- RX Hub Opening With Coverplate Installed
- Aluminum enclosure
- Stainless steel latch and hasp



Accessories

RX HUB KITS
 Cat No: H38597-2 (1.25")
 Cat No: H38598-2 (1.50")
 Cat No: H38599-2 (2.00")
 Cat No: H38600-2 (2.50")

RX HUB KITS
 Cat No: EC38597 (1.25")
 Cat No: EC38598 (1.50")
 Cat No: EC38599 (2.00")
 Cat No: EC38600 (2.50")

HUB COVER PLATE

Cat No: H38595-2

GROUND LUG KIT

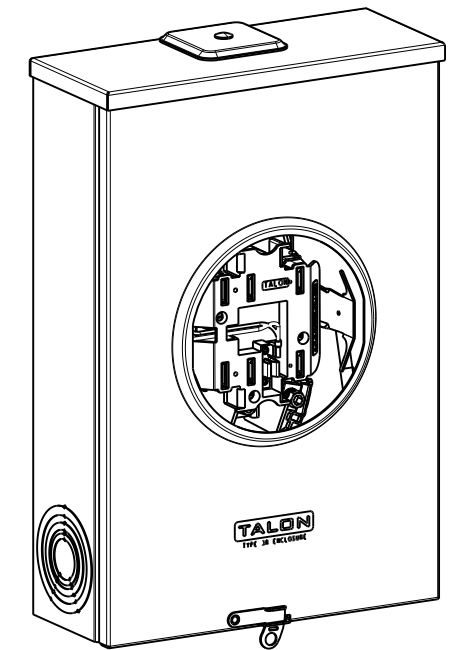
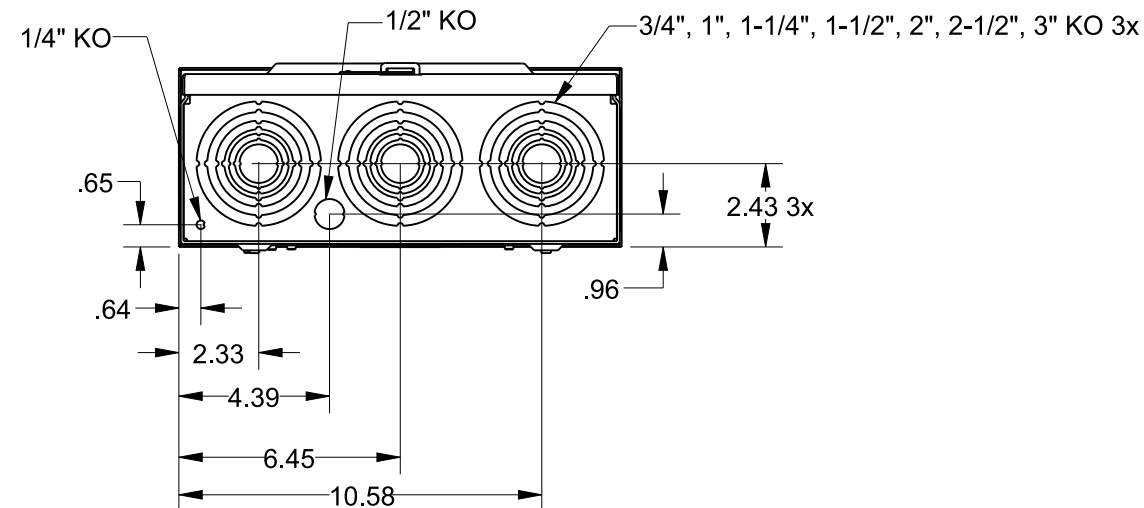
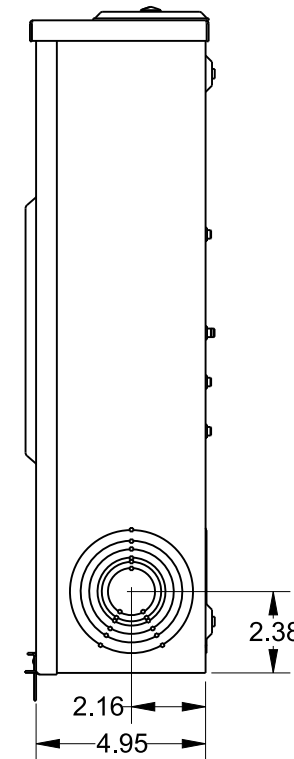
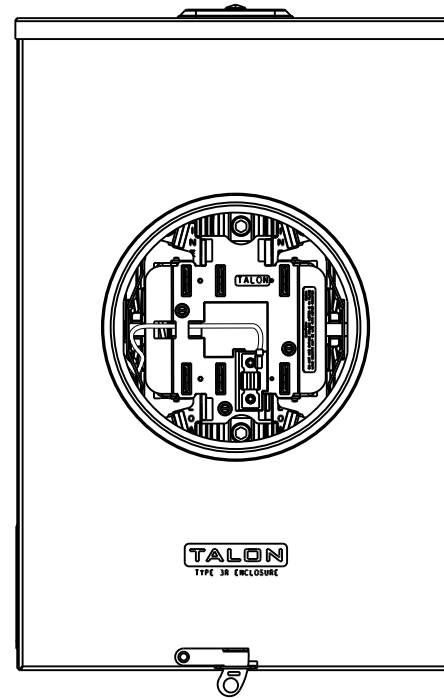
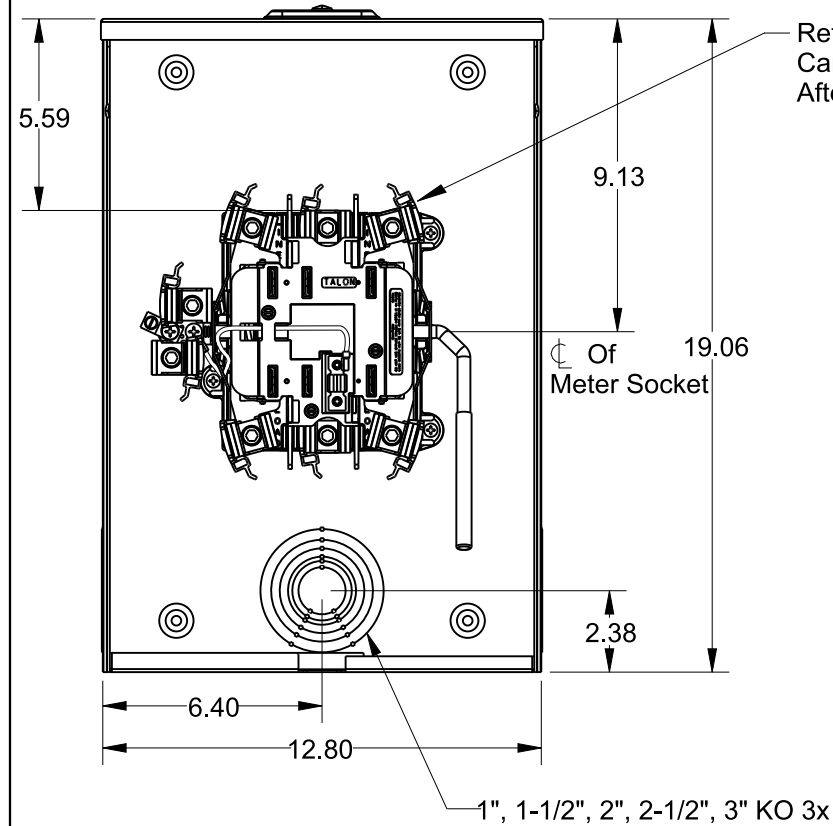
Cat No: H55303

Wire Size #2-14 50 LB-IN

Lugs, Wire Sizes and Torques

LOCATION	LUG SIZE	TORQUE
LINE*	#6-350 kcmil	275 LB-IN
LOAD*	#6-350 kcmil	275 LB-IN
NEUTRAL*	#6-350 kcmil	275 LB-IN
GROUND*	#14-2	45 LB-IN

* External Hex drive 1/2"
 * Internal Hex drive 5/16"



TALON
Meter Socket

Description:
200A Cont, 7 Jaw, HQ-7U, 600V AC, Aluminum Enclosure