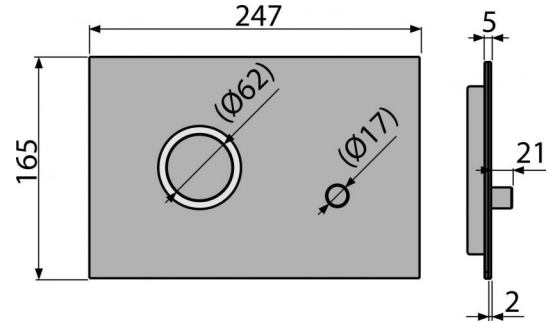


STING

Flush plate for pre-wall installation systems, alunox-matt/polished



Application

For pre-wall installation systems and concealed WC cisterns

Features

- Precise workmanship with laser technology
- Double-acting mechanical flushing
- Compatible with all Alcaplast pre-wall installation systems and cisterns for building into solid walls
- Material: anodized aluminum, stainless steel
- The mechanism is fully integrated into the wall
- Resistant to UV rays and external influences
- Surface finish: alunox-mat, Anti-fingerprint with surface treatment that eliminates fingerprint smudges
- The flush plate only slightly protrudes above the tiles
- Maintenance with common detergents used in the household for plumbing fixtures and bathroom accessories

Scope of supply

- Adapter kit for the control mechanism of the flush valve
- Flush plate
- Fixing frame of the flush plate
- Threaded frame clamp 2 pcs

Order number, Logistic information

Code	EAN	Description	Weight		Dimensions		Quantity		
			(piece packing palett)	(kg)	(piece packing)	(mm)	(packing palett)	(pcs)	
STING	8595580523688	Alunox-matt/polished	10	9,2040	277,7100	kg	255x85x175 595x245x395	mm	10 280

Guarantee

2/2 years

Customs code

73269098

Technical specifications

- Operating force < 20 N