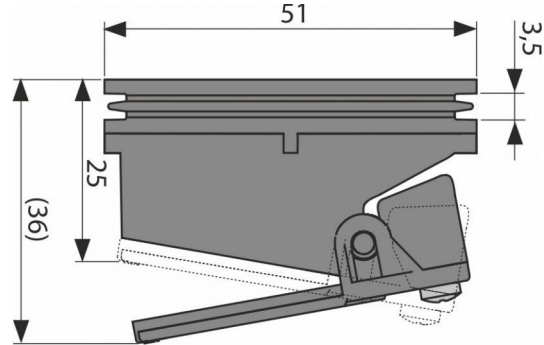


P143

Combined odour trap SMART for APZ-S6



Application

For areas that are expected to have low usage of the shower enclosure
For trap APZ-S6 and floor drain APV110

Features

- Material: polypropylene resistant to mechanical, chemical and thermal damage
- Mechanical closure and the water column prevent the penetration of odours from the sewer

Order number, Logistic information

Code	EAN	Weight			Dimensions		Quantity		
		(piece	packing	palett)	(piece	packing)		(packing	palett)
P143	8595580562298	0,0342	0,0000	0,0000	kg	51x51x36	- mm	1	- pc

Guarantee

2/2 years