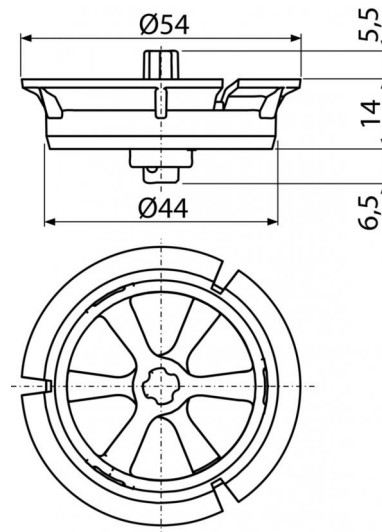


P115

Water flow speed regulator



Application

For pre-wall installation systems Alcaplast (except for Slim)
 To reduce the flow of water when flushing the toilet
 For flush valves A06, A06E, A02, A03, A05, A07, A2000

Features

- Four options of regulation the flow rate of water by 5%, 15%, 25% or 35%
- Material: polypropylene

Scope of supply

- Regulator

Order number, Logistic information

Code	EAN	Weight (piece packing palett)	Dimensions (piece packing)	Quantity (packing palett)
P115	8595580550707	0,0195 1,9500 82,4000 kg	100×30×80 590×390×240 mm	100 3200 pcs

Guarantee

2/2 years

Customs code

39229000

Norms

EN 14055

Technical specifications

- Control of flow rate 1,65-2,5 l/s