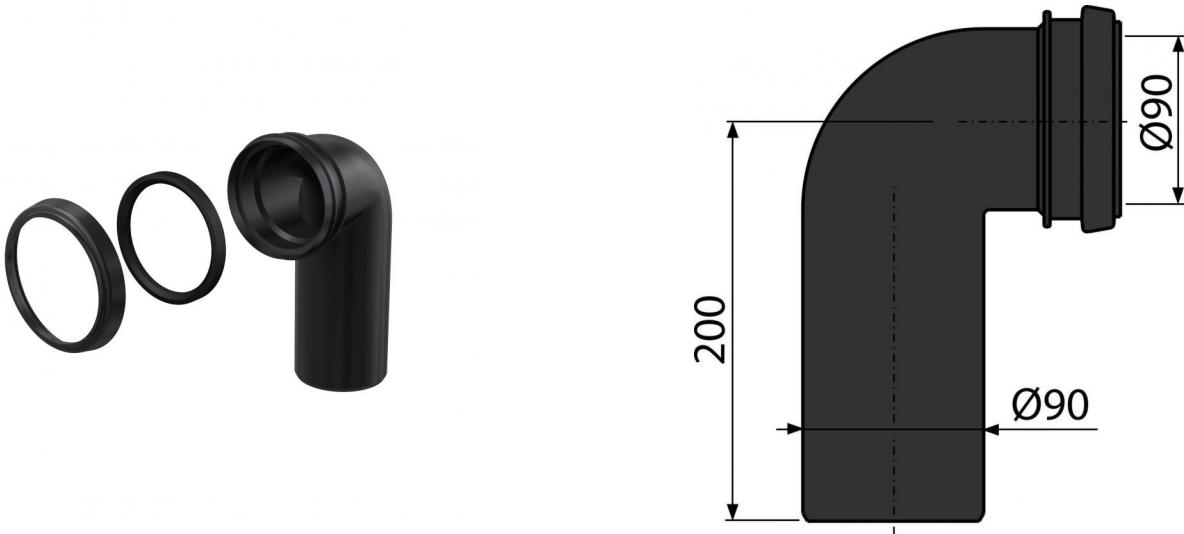


M908

Elbow waste connector set DN90/90



Application

For pre-wall installation systems
To connect a wall-hung WC to vertical waste pipes

Features

- Material: polyethylene

Scope of supply

- Fixation ring
- Waste elbow connector DN90/90
- Seal

Order number, Logistic information

Code	EAN	Weight (piece packing palett)	Dimensions (piece packing)	Quantity (packing palett)
M908	8595580501907	0,3376 6,7520 128,0320 kg	245x180x90 590x430x390 mm	20 320 pcs

Guarantee
2/2 years

Customs code
39174000

Norms
EN 476