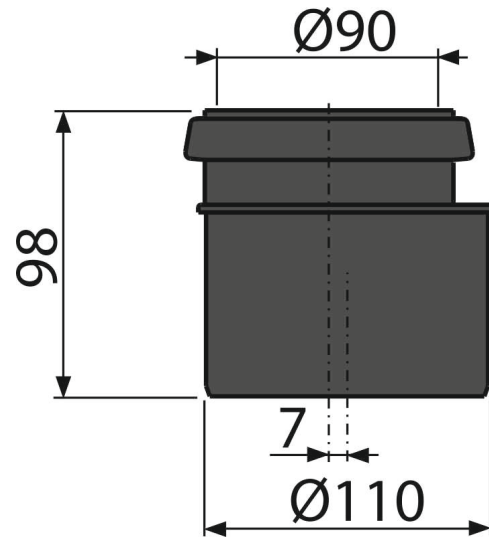


# M907

Reduction set DN90/110



**Application**

For transition from DN90 to DN110  
For pre-wall installation systems

**Features**

- Material: polyethylene

**Scope of supply**

- Fixation ring
- Reduction DN90/110
- Seal

**Order number, Logistic information**

Code	EAN	Weight (piece   packing   palett)	Dimensions (piece   packing)	Quantity (packing   palett)
M907	8594045937121	0,1289   7,7340   143,7440 kg	110x110x98   590x430x390 mm	60   960 pcs

**Guarantee**

2/2 years

**Customs code**

39174000

**Norms**

EN 476