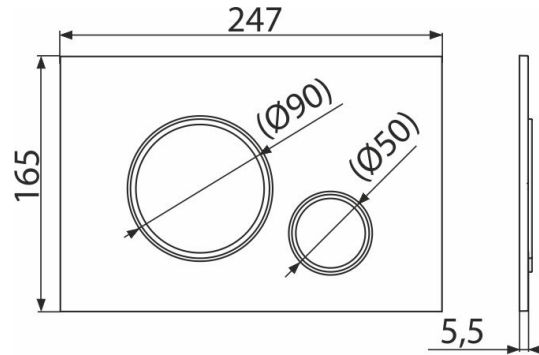


M770 THIN

Flush plate for pre-wall installation systems, white-polished/chrome-polished



Application

For pre-wall installation systems and concealed WC cisterns

Features

- Double-acting mechanical flushing
- Compatible with all Alcaplast pre-wall installation systems and cisterns for building into solid walls
- Material: plastic
- Surface finish: white
- The flush plate thanks to its profile stands out only 5.5 mm above the tiles

Scope of supply

- Template for correct flush plate setup
- Flushing mechanism screws 2 pcs
- Flush plate
- Fixing frame of the flush plate
- Threaded frame clamp 2 pcs

Order number, Logistic information

Code	EAN	Weight (piece packing palett)	Dimensions (piece packing)	Quantity (packing palett)
M770	8595580562618	0,3435 8,5875 260,4500 kg	250x170x36 595x395x245 mm	25 700 pcs

Guarantee

2/2 years

Customs code

39269097

Technical specifications

- Operating force < 20 N