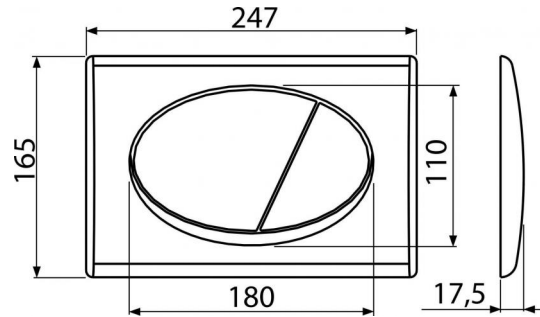
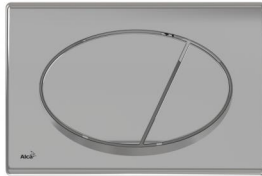


# M71

Flush plate for pre-wall installation systems, chrome-polished



### Application

For pre-wall installation systems and concealed WC cisterns

### Features

- Double-acting mechanical flushing
- Compatible with all Alcaplast pre-wall installation systems and cisterns for building into solid walls
- Material: plastic
- Surface finish: chrome-polished

### Scope of supply

- Template for correct flush plate setup
- Flushing mechanism screws 2 pcs
- Flush plate
- Fixing frame of the flush plate
- Threaded frame clamp 2 pcs

### Order number, Logistic information

Code	EAN	Material	Weight			Dimensions		Quantity	
			(piece   packing   palett)	(piece   packing   palett)	(piece   packing   palett)	(piece   packing)	(packing   palett)		
M71	8594045936209	Chrome-polished	0,3996	9,8400	295,5200 kg	250×40×175	595×245×395 mm	25	700 pcs

### Guarantee

2/2 years

### Customs code

39269097

### Technical specifications

- Operating force < 20 N