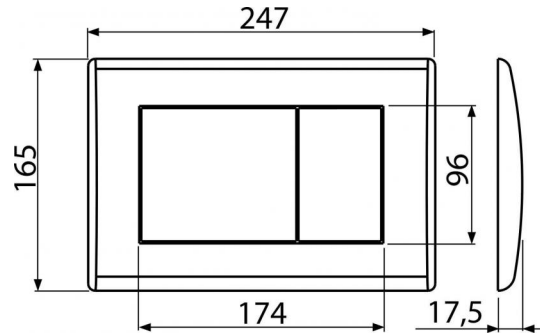


M271

Flush plate for pre-wall installation systems, chrome-polished



Application

For pre-wall installation systems and concealed WC cisterns

Features

- Double-acting mechanical flushing
- Compatible with all Alcaplast pre-wall installation systems and cisterns for building into solid walls
- Material: plastic
- Surface finish: chrome-polished

Scope of supply

- Template for correct flush plate setup
- Flushing mechanism screws 2 pcs
- Flush plate
- Fixing frame of the flush plate
- Threaded frame clamp 2 pcs

Order number, Logistic information

Code	EAN	Weight (piece packing palett)	Dimensions		Quantity (packing palett)
			(piece packing)	(mm)	
M271	8594045938241	Chrome-polished 0,3779 9,8875 296,8500 kg	250×40×175	595×245×395 mm	25 700 pcs

Guarantee

2/2 years

Customs code

39269097

Technical specifications

- Operating force < 20 N