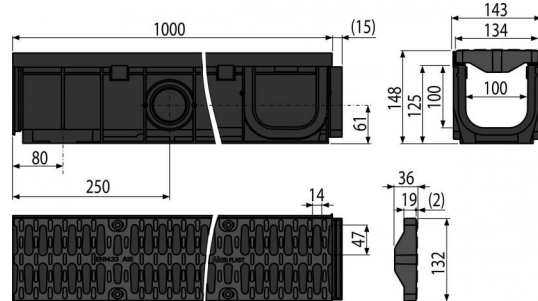


AVZ104-R401

Outdoor drain channel 100 mm with plastic frame and plastic grid A15



Application

For drainage of public areas with pedestrians or cyclists, lawns, around buildings, pedestrian zones and areas of similar character

Features

- Numerous ribbing for a firm fixation within surrounding material
- The drain can be simply cut in half to form two equal parts
- The cover of the side opening can also be used as an inlet connector – Ø75 mm
- Material with UV stabilizer against aging, fading and degradation of plastic
- Material: polypropylene filled with talc resistant to mechanical, chemical and thermal damage
- Modular system – optional connection to form "I", "L", "T" or "X" shapes
- Prepared slots for using the locking bars to anchor the drain in concrete
- Ready for optional use of the odour trap with a grid for collection of the dirt
- Water connection from the side of the drain is possible at four locations – Ø50 mm
- Sophisticated and solid locking mechanism for simple connection of the individual drains
- Robust construction – self-supporting
- Plastic grid – fixed to the drain with eight pcs of stainless steel screws, inlet slit width 14 mm
- Easy access to the drain – easy to clean
- Bottom outlet waste connection Ø110 mm
- Lock system allows easy connecting without additional fixing elements

Scope of supply

- Stainless steel screws for fixing the grid to the drain, 8 pcs
- Plastic grid – 2x0.5 m – load class A15
- Drain body with plastic frame

Order number, Logistic information

Code	EAN	Weight (piece packing palett)	Dimensions (piece packing)	Quantity (packing palett)
AVZ104-R401	8595580547745	3,6408 3,6912 241,4720 kg	150x1015x145 mm	1 60 pcs

Guarantee	Customs code	Norms
2/6 years	39269097	EN 1433

Technical specifications

- Total installation height 148 mm
- Waste pipe diameter 110 mm
- Flow profile of the drain 95,3 cm²
- Load class A15 1500 kg
- Inlet cross-section of the plastic grid 364,1 cm²