

# AVZ103-R202

## Outdoor drain channel 100 mm with metal frame and cast iron grid C250

### Application

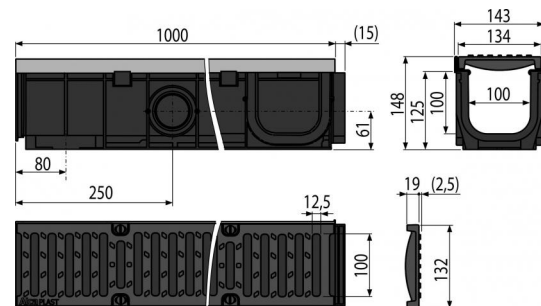
For drainage of professional parking areas for passenger cars, pedestrian zones, side bands on roads and adjacent sidewalks

### Features

- Numerous ribbing for a firm fixation within surrounding material
- The drain can be simply cut in half to form two equal parts
- Metal vertical flange reinforces the drain edges
- The cover of the side opening can also be used as an inlet connector – Ø75 mm
- Material with UV stabilizer against aging, fading and degradation of plastic
- Material: polypropylene filled with talc resistant to mechanical, chemical and thermal damage
- Modular system – optional connection to form "I", "L", "T" or "X" shapes
- Prepared slots for using the locking bars to anchor the drain in concrete
- Ready for optional use of the odour trap with a grid for collection of the dirt
- Water connection from the side of the drain is possible at four locations – Ø50 mm
- Sophisticated and solid locking mechanism for simple connection of the individual drains
- Robust construction – self-supporting
- Cast iron grid – fixed to the drain with eight pcs of stainless steel screws, inlet slit width 12.5 mm
- Easy access to the drain – easy to clean
- Bottom outlet waste connection Ø110 mm
- Lock system allows easy connecting without additional fixing elements

### Scope of supply

- Installation spacer 4 pcs
- Cast iron grid – 2x0.5 m – load class C250
- Stainless steel screws for fixing the grid to the drain, 8 pcs
- Drain body with metal frame



### Order number, Logistic information

Code	EAN	Weight (piece   packing   palett)	Dimensions (piece   packing)	Quantity (packing   palett)
AVZ103-R202	8595580547257	11,4892   0,0000   358,1960 kg	148x1015x143   mm	1   30 pcs

Guarantee	Customs code	Norms
2/6 years	39269097	EN1433

### Technical specifications

- Total installation height 148 mm
- Waste pipe diameter 110 mm
- Flow profile of the drain 95,34 cm<sup>2</sup>
- Load class C250 25000 kg
- Inlet cross-section of the cast iron grid 433,774 cm<sup>2</sup>