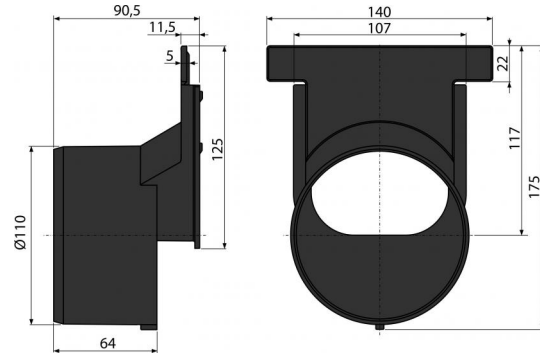


AVZ-P010

Side end cap with connection to the waste pipe DN110



Application

For connecting to waste DN110
For outdoor drain channels

Features

- Material with UV stabilizer against aging, fading and degradation of plastic
- Material: polypropylene filled with talc resistant to mechanical, chemical and thermal damage
- Used for horizontal connection of the drain channel to the waste system DN110 mm

Scope of supply

- End cap with outlet pipe DN110 mm

Order number, Logistic information

Code	EAN	Weight (piece packing palett)	Dimensions (piece packing)	Quantity (packing palett)
AVZ-P010	8595580544188	0,1570 3,9540 0,0000 kg	140×91×176 590×390×240 mm	30 – pc

Guarantee	Customs code	Norms
2/2 years	39259080	EN 476