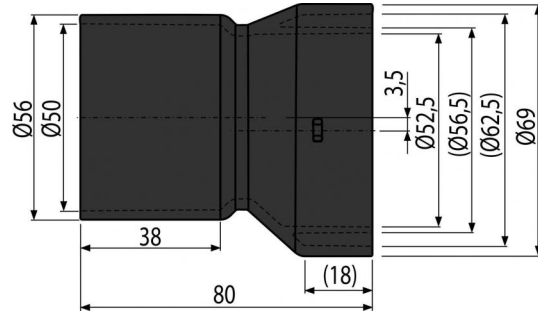


# AVZ-P003

Adapter for connection to a side inlet DN50



### Application

For connecting side inlet DN50  
For outdoor drain channels

### Features

- Can be attached to the drain body with two screws
- Material with UV stabilizer against aging, fading and degradation of plastic
- Material: polypropylene filled with talc resistant to mechanical, chemical and thermal damage
- Serves to supply water to the drain channel

### Scope of supply

- Adapter DN50 mm
- Fixation screw 3.5×13 - 2 pcs

### Order number, Logistic information

Code	EAN	Weight (piece   packing   palett)	Dimensions (piece   packing)	Quantity (packing   palett)
AVZ-P003	8595580511517	0,0638   3,1650   0,0000 kg	80×70×70   590×390×240 mm	50   800 pcs

Guarantee	Customs code	Norms
2/2 years	39269097	EN 476