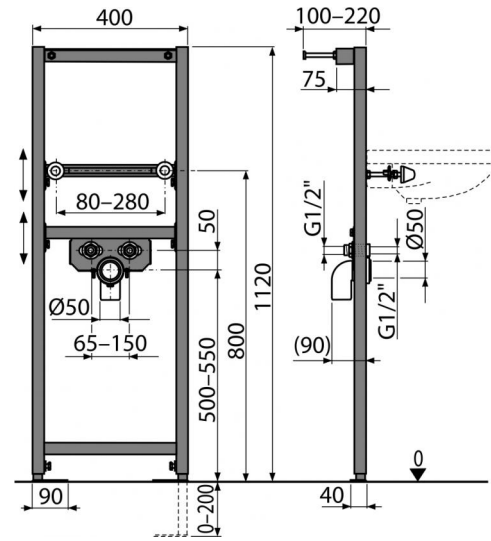


# A104/1120

## Mounting frame for wash-basin



### Application

For mounting in front of a support wall or in to a plasterboard construction  
 For installation deck mounted faucet  
 For wall-hung sinks

### Features

- Material: powder-coated metal
- Adjustable telescopic feet, range 0–200 mm
- Water supply pitch 65–150 mm
- Washbasin mounting pitch 80–280 mm
- Self-supporting frame with a C-profile
- Height adjustable partitions

### Scope of supply

- Fixation material for washbasins: bolt M10×100 – 2 pcs
- Fixation set: screw Ø8×60 – 4 pcs, dowel Ø12 – 4 pcs
- Covers for the fixing material
- Waste elbow HT 50 with seal
- Connection fittings G1/2"–G1/2"
- Mounting frame

### Order number, Logistic information

Code	EAN	Weight (piece   packing   palett)	Dimensions (piece   packing)	Quantity (packing   palett)
A104/1120	8595580551544	8,3420   8,3420   270,2600 kg	1195×82×410   1195×82×410 mm	1   30 pcs

### Guarantee

2/15 years

### Customs code

73089098

### Norms

EN 14688

### Technical specifications

- Load test 150 kg