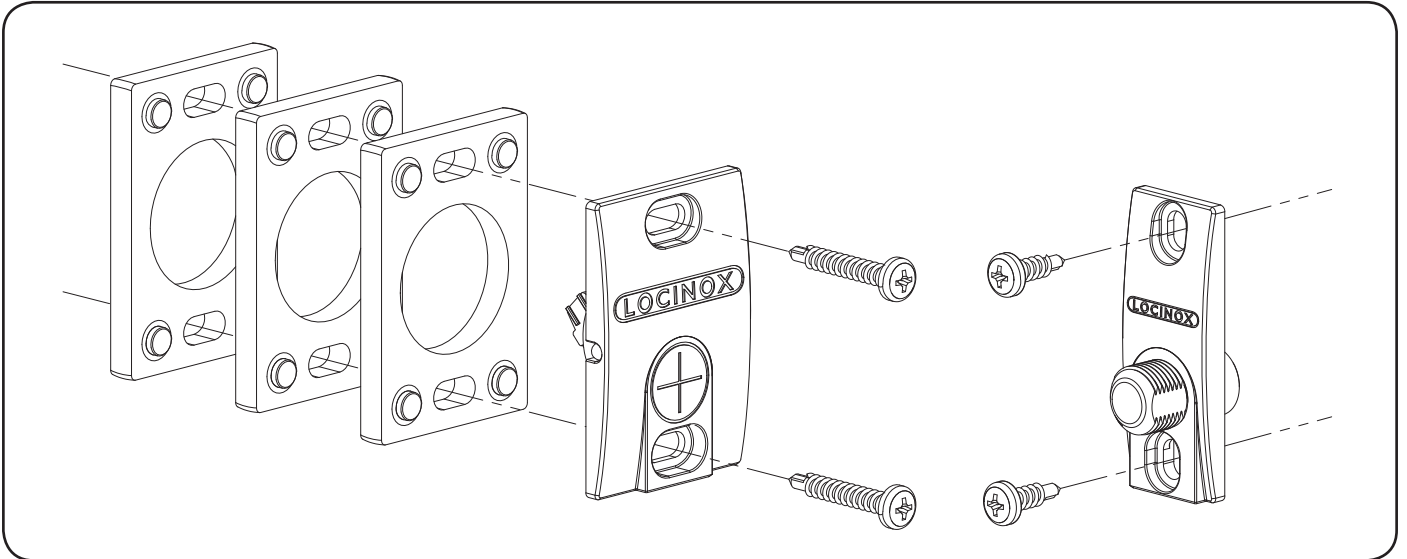


LOCINOX[®]

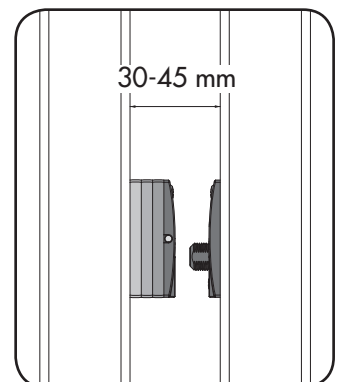
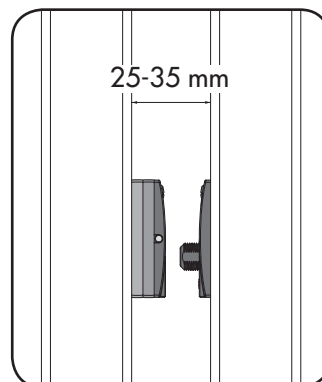
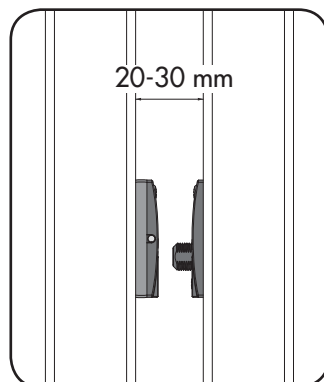
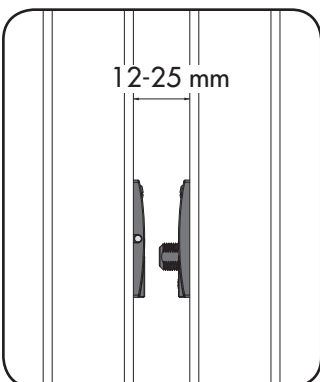
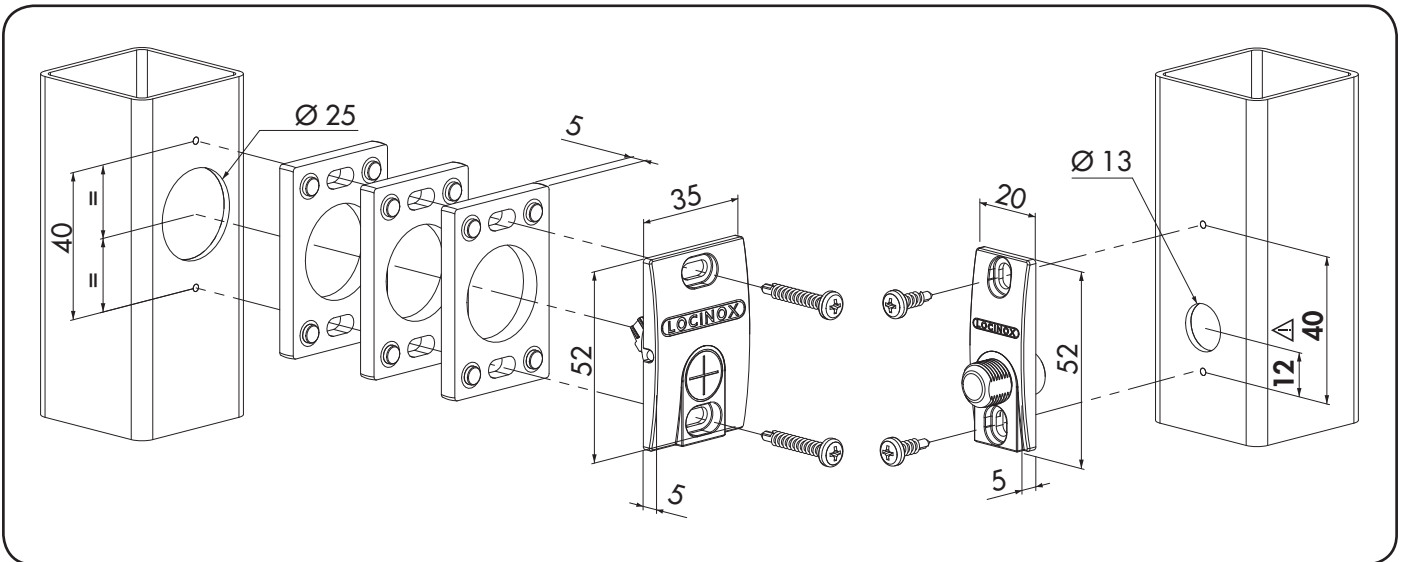
WWW.LOCINOX.COM

CODE: GATESWITCH

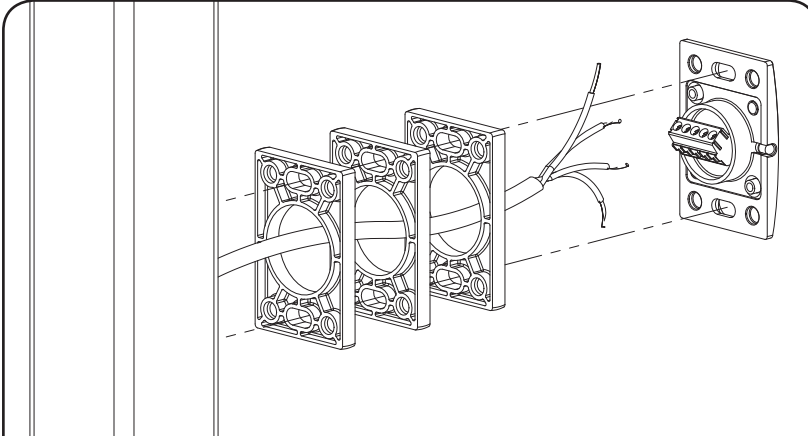
① PACKAGE CONTENT



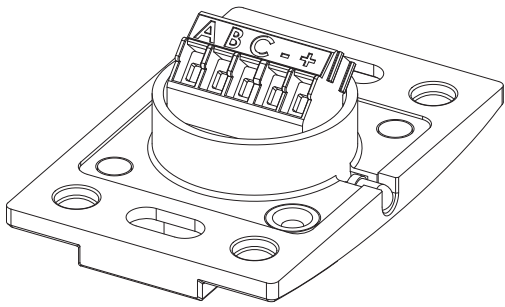
② PROFILE PREPARATION


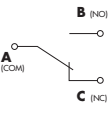


③ ELECTRICAL CONNECTIONS

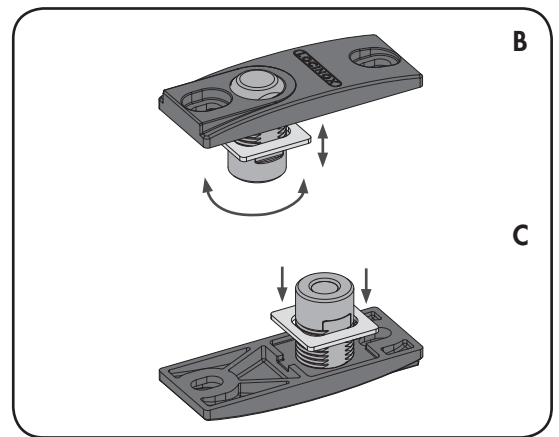
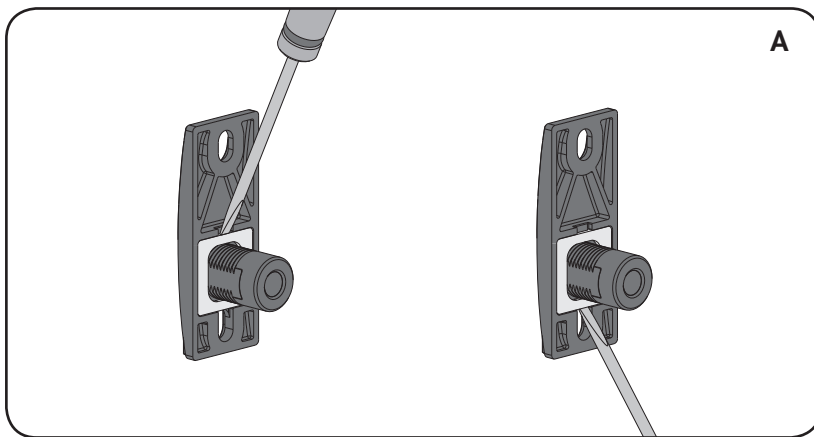


| Contact Data | Conditions | Max |
|-------------------|---|-------|
| Switching voltage | DC or Peak AC | 175 V |
| Switching Current | DC or Peak AC | 0,5 A |
| Carry Current | DC or Peak AC | 1 A |
| Contact Rating | Any DC combination of V&A. no to exceed their individual max. 's | 10 W |

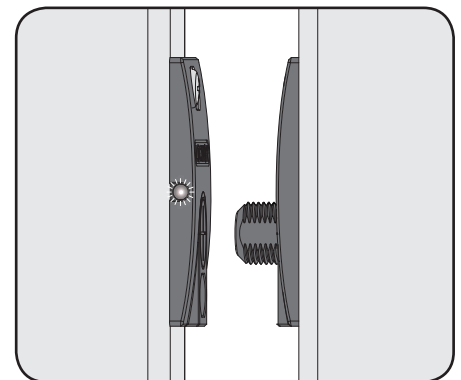
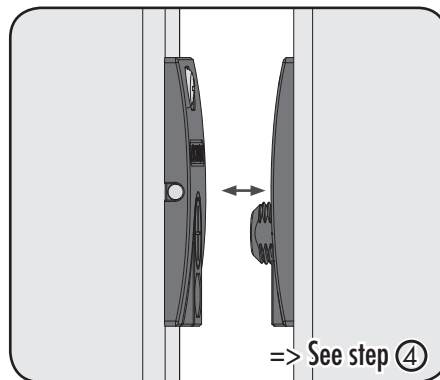
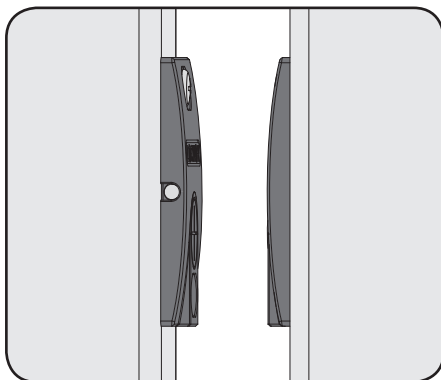


| | | | |
|---|---|---------------|---|
| + | Optional voltage: 12 V / DC For visual status LED indication | |  |
| B | NO | Normal open |  |
| A | COM | Common 1 | |
| C | NC | Normal closed | |

④ ADJUSTMENT



⑤ MAGNET ADJUSTMENT & LED INDICATION



LOCINOX[®]
WWW.LOCINOX.COM

Doc. Nr.: MANU-000070



Locinox nv • Mannebeekstraat 21 • B-8790 Waregem • Belgium - Europe
Tel. +32 (0)56 77 27 66 • Fax. +32 (0)56 77 69 26 • E-mail: locinox@locinox.com

* M A N U - 0 0 0 0 7 0 *