



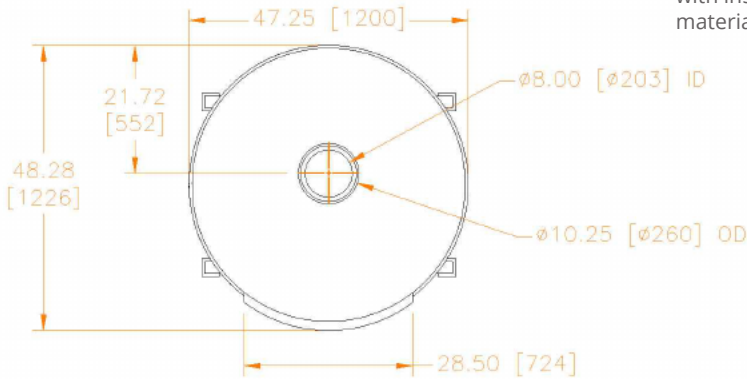
# SOLFATARA DUO | STAND MODEL

SERIES: RESIDENTIAL VOLCANO OVEN SERIES

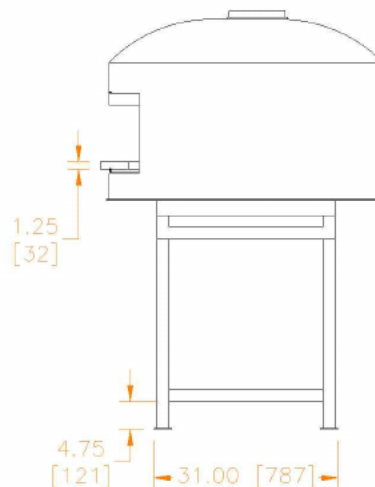
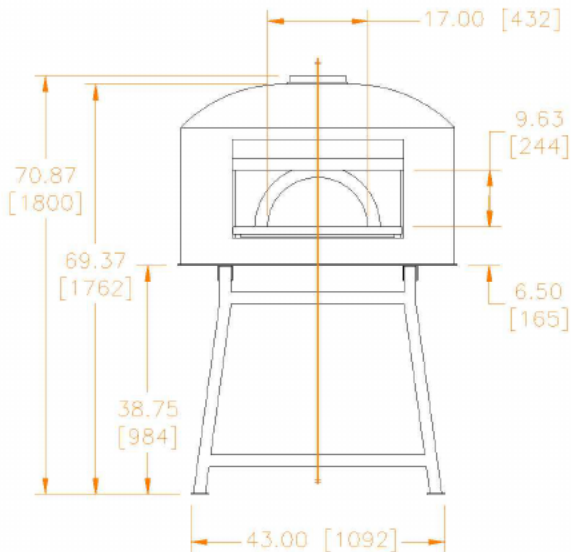
## DETAILED SPECS

WEIGHT:  
**1180 LBS**

We make every effort to provide accurate information regarding dimension information. Please note that due to the artisan nature of the manufacturing process, from time to time, product sizing and ship weight may vary slightly.



NOTE:  
DIM.S WITHOUT TILES  
AND GROUT



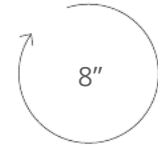
## CLEARANCES

Minimum clearance of the oven (built-in or standalone) to combustible materials are as follows:

**Top: 14" (356 mm)**  
**Back & Sides: 1" (25 mm)**

- Non-combustible flooring must extend out at least 36" (914 mm) from oven opening and at least 30" (762 mm) to each side of the opening.
- Do not fill required air space with insulation or other materials.

## VENTILATION



FLUE COLLAR  
CONNECTION  
DIAMETER  
(INTERNAL)

This oven is supplied with an 18" tall chimney piece with a chimney cap & spark arrester. This may be removed and replaced with chimney material that is listed to the UL 103 HT chimney standard or equivalent standard per NFPA 211 & local codes. The chimney must terminate to a chimney cap with a UL listed spark arrester. Installation requirements may vary dependent upon the desired chimney run.

Operational airflow: 200 CFM  
Static Pressure at Flue Collar: 0.05  
in H<sub>2</sub>O

FIERO CASA  
601 N Main St, Brewster, NY 10509  
Email: [info@fierocasa.com](mailto:info@fierocasa.com)  
[www.fierocasa.com](http://www.fierocasa.com)

844-OVEN-INC (844-683-6462)  
Toll-free in USA  
(Hablamos Español,  
Falamos Português)

Listed to: UL 2162-ULC/ORD C2162,  
Wood Fired Cooking Equipment

1 year limited warranty

