



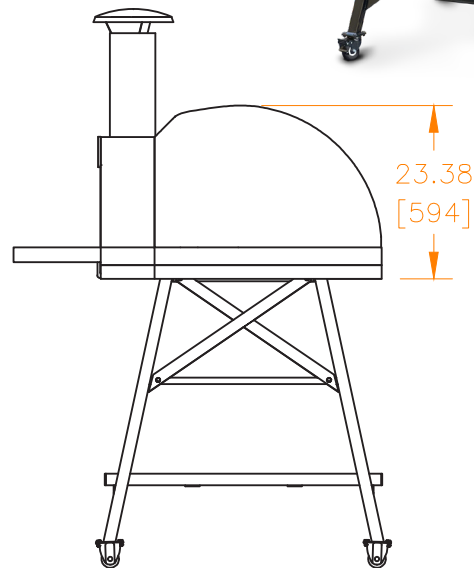
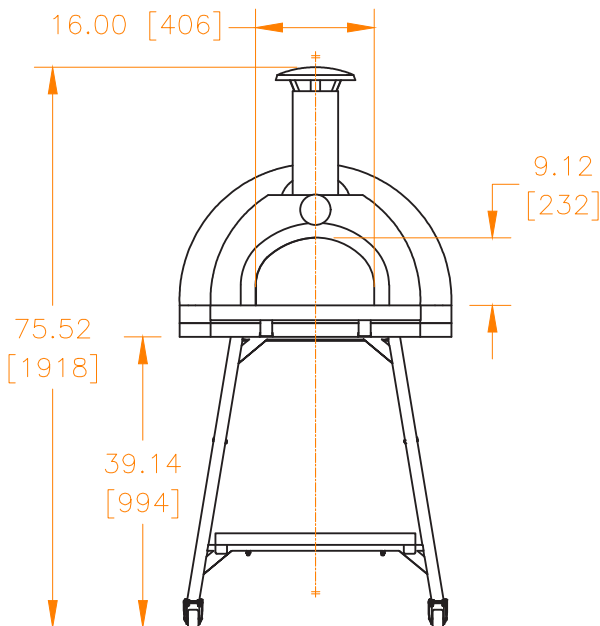
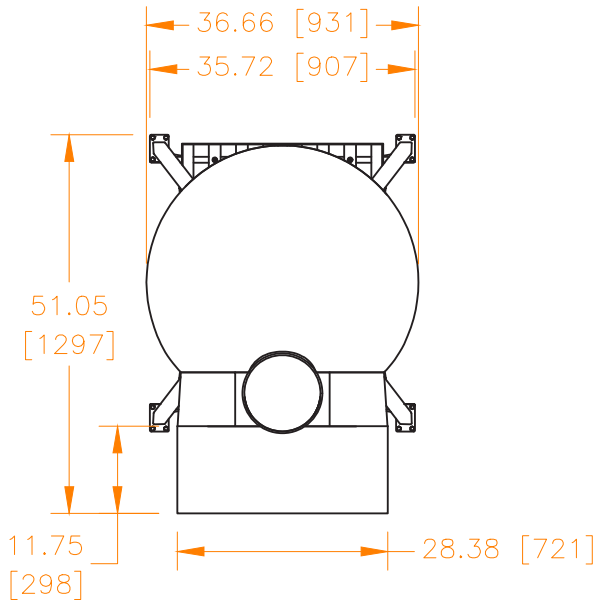
# ORTO ONE - STAND MODEL

SERIES: RESIDENTIAL ORTO SERIES

## DETAILED SPECS

**WEIGHT:**  
**660 LBS**

We make every effort to provide accurate information regarding dimension information. Please note that due to the artisan nature of the manufacturing process, from time to time, product sizing and ship weight may vary slightly.



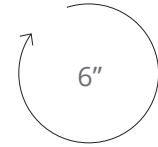
## CLEARANCES

Minimum clearance of the oven (built-in or standalone) to combustible materials are as follows:

**Top: 14" (356 mm)**  
**Back & Sides: 1" (25 mm)**

- Non-combustible flooring must extend out at least 36" (914 mm) from oven opening and at least 30" (762 mm) to each side of the opening.
- Do not fill required air space with insulation or other materials.

## VENTILATION



FLUE COLLAR CONNECTION DIAMETER (INTERNAL)

This oven is supplied with a removable steel chimney piece. This may be removed and replaced with chimney material that is listed to the UL 103 HT chimney standard or equivalent standard per NFPA 211 & local codes. Installation requirements may vary dependent upon the desired chimney run.

**Operational airflow: 200 CFM**  
**Static Pressure at Flue Collar: 0.05 in H<sub>2</sub>O**



FIERO GROUP  
601 N Main St, Brewster, NY 10509  
Email: [info@fierogroup.com](mailto:info@fierogroup.com)  
[www.fierogroup.com](http://www.fierogroup.com)

844-OVEN-INC (844-683-6462)  
Toll-free in USA  
(Hablamos Español,  
Falamos Português)