



ETNA QUATTRO | COUNTERTOP MODEL

SERIES: RESIDENTIAL VOLCANO OVEN SERIES

DETAILED SPECS

WEIGHT:
1720 LBS

We make every effort to provide accurate information regarding dimension information. Please note that due to the artisan nature of the manufacturing process, from time to time, product sizing and ship weight may vary slightly.

CLEARANCES

Minimum clearance of the oven (built-in or standalone) to combustible materials are as follows:

Top: 14" (356 mm)
Back & Sides: 1" (25 mm)

- Non-combustible flooring must extend out at least 36" (914 mm) from oven opening and at least 30" (762 mm) to each side of the opening.
- Do not fill required air space with insulation or other materials.

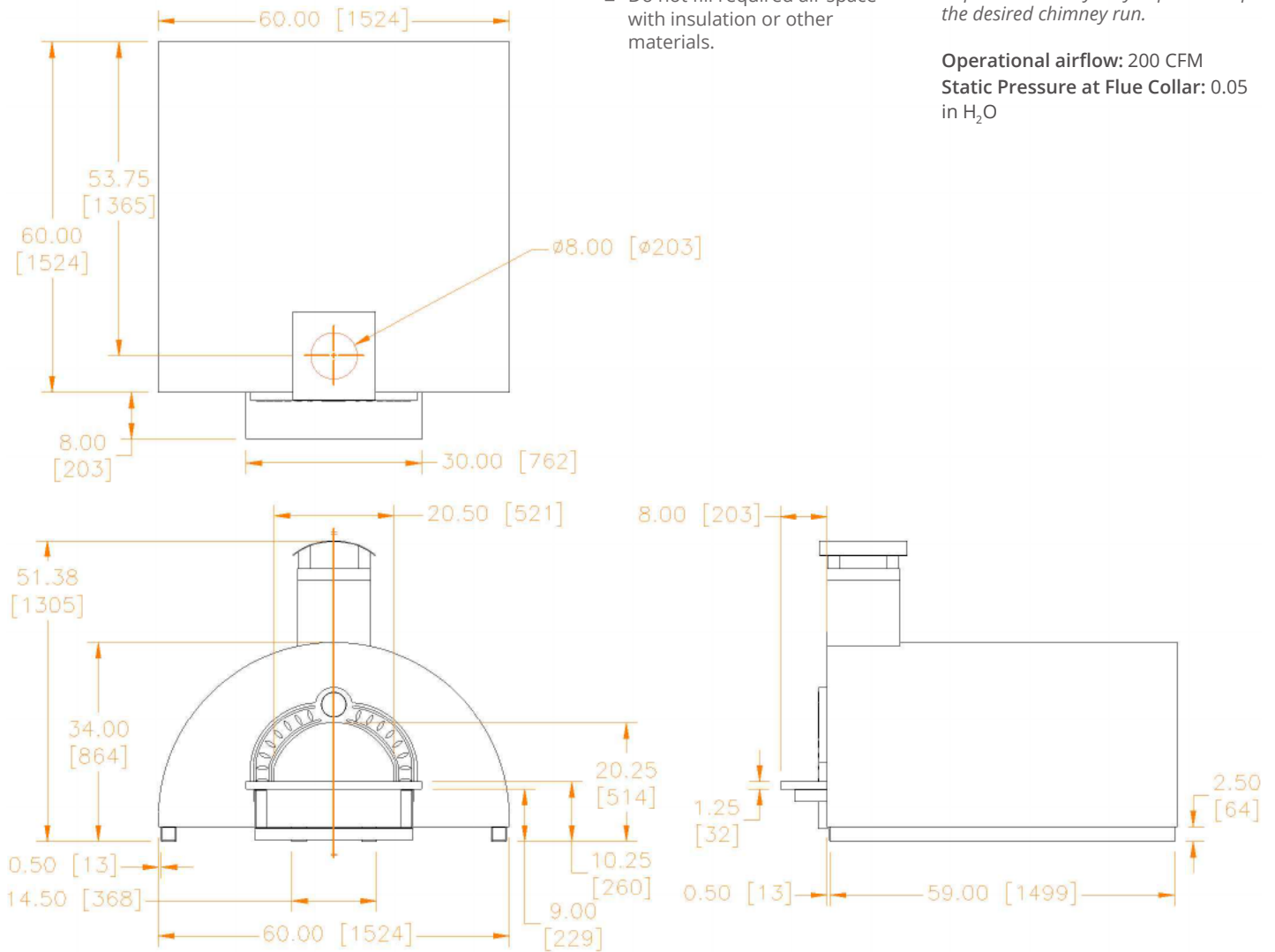
VENTILATION



INTEGRAL CHIMNEY CONNECTION

This oven is supplied with an internal chimney system with a UL-listed spark arrester. The oven shall be installed per local & national codes. The chimney must terminate to a chimney cap with a UL listed spark arrester. Installation requirements may vary dependent upon the desired chimney run.

Operational airflow: 200 CFM
Static Pressure at Flue Collar: 0.05 in H₂O



FIERO CASA
601 N Main St, Brewster, NY 10509
Email: info@fierocasa.com
www.fierocasa.com

844-OVEN-INC (844-683-6462)
Toll-free in USA
(Hablamos Español,
Falamos Português)

Listed to: UL 2162-ULC/ORD C2162,
Wood Fired Cooking Equipment

1 year limited warranty



DOC#: ETNQUA-05-22-20

REVISED SPRING 2020. As products continue to improve, spec sheets may change without notice. Please call Fiero Forni for the latest specification sheet and for further details.

MADE IN ITALY