

## Floorstanding Assembly Instructions

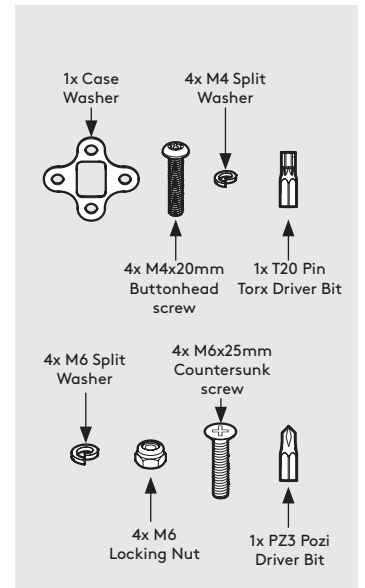
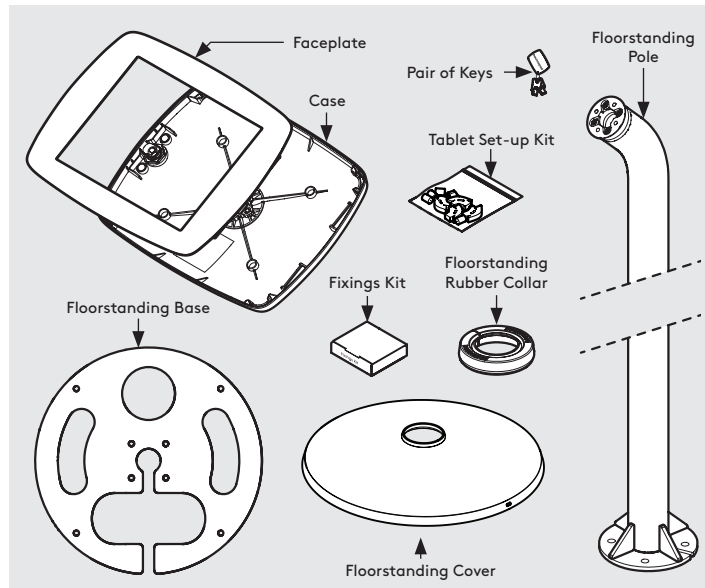
### Tools Required:

- Socket Driver
- 10mm Spanner *\*or adjustable spanner*

Sheet Code: BP-IM-047\_REV4

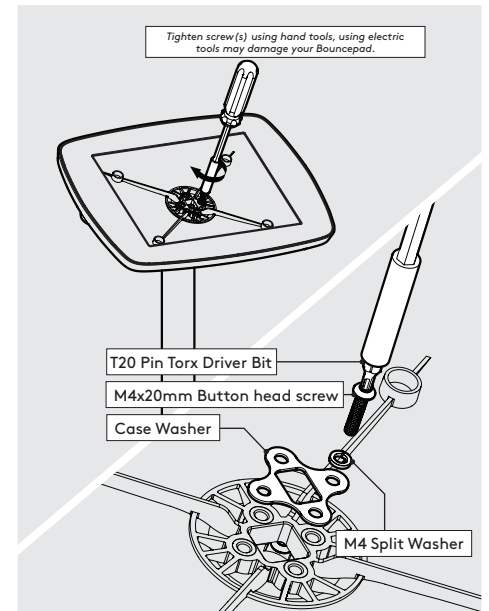
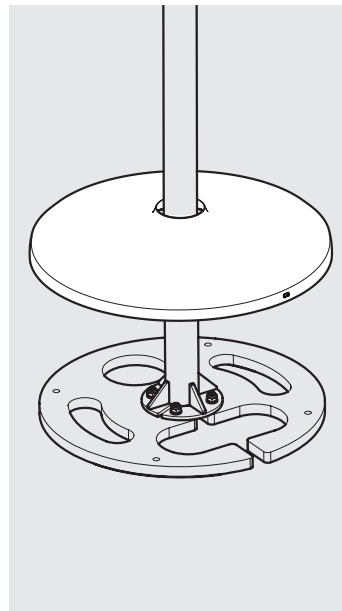
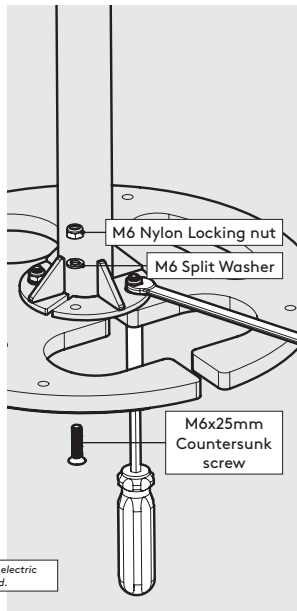
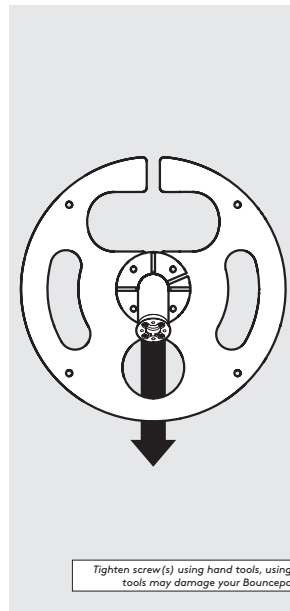
Release Date: 10/04/2024

Copyright 2024 Spotspot Ltd. (T/A Bouncepad) all rights reserved. Confidential, no part of this publication may be reproduced or transmitted in any form without the written permission of the copyright holder.



### Fixings List

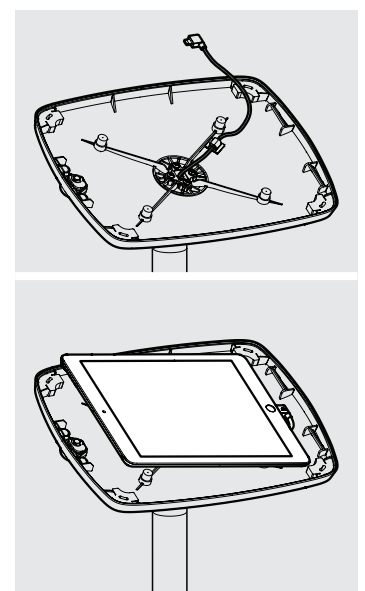
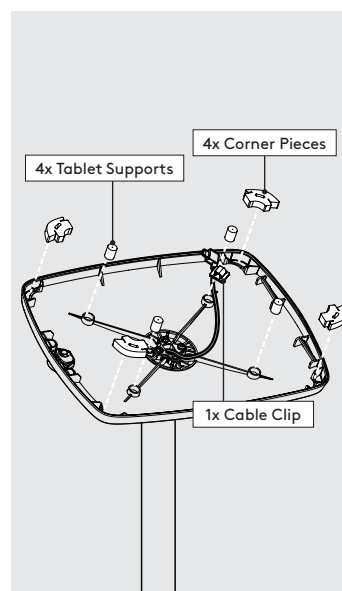
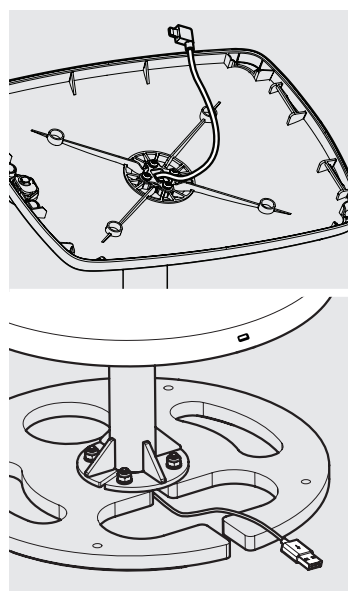
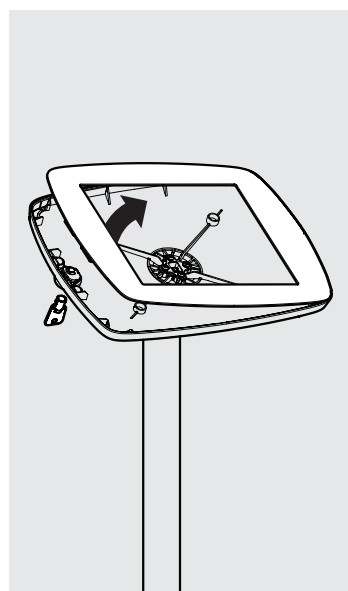
*\* Due to the modular nature of our product range you may receive additional fixings in the fixings kit*



**1** Orientate, locate and secure the Floorstanding Pole to the Floorstanding Base as shown. Ensure that all fixings are installed correctly.

**2** Locate the Floorstanding Cover over the Floorstanding Pole.

**3** Locate and secure the Case onto the Mounting Arm as shown. Tighten by hand.

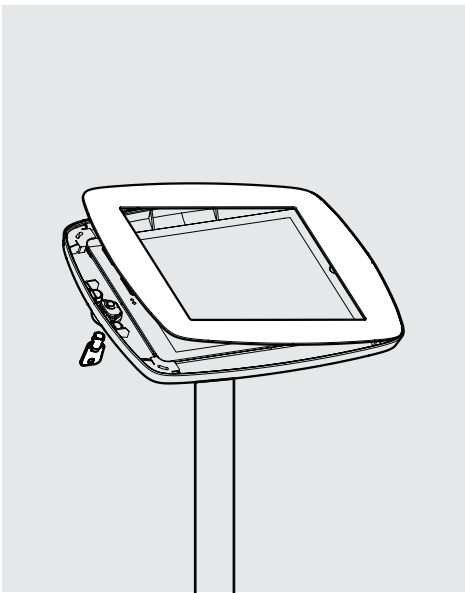


**4** Unlock & remove the Faceplate from the Bouncepad Case.

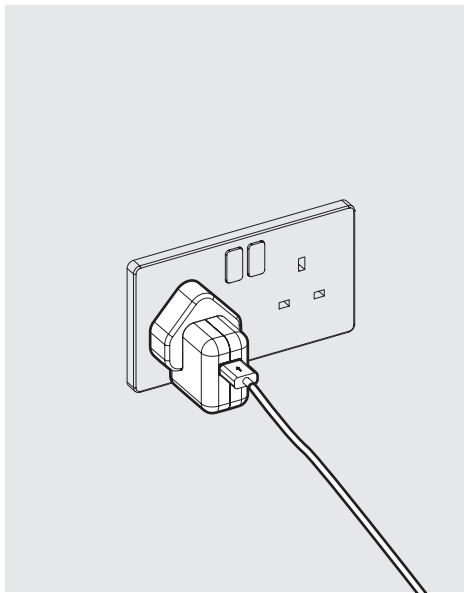
**5** Feed the tablet power cable through the Case & Floorstanding Pole.

**6** Install the Tablet Setup Kit. Each kit is specific per device & case.

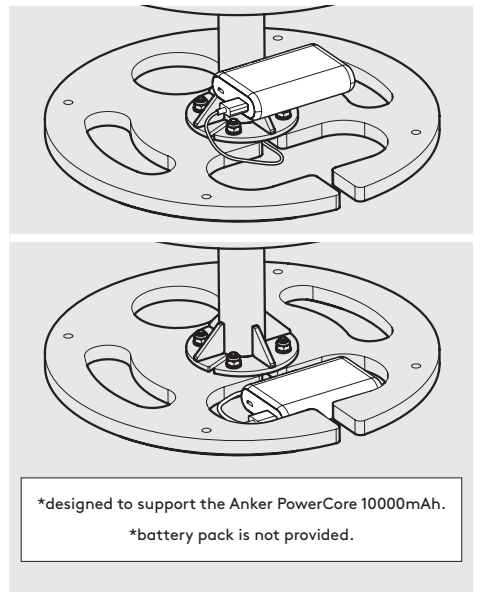
**7** Install the tablet into the Case & connect to power.



**8** Locate and lock the Faceplate to the Case.

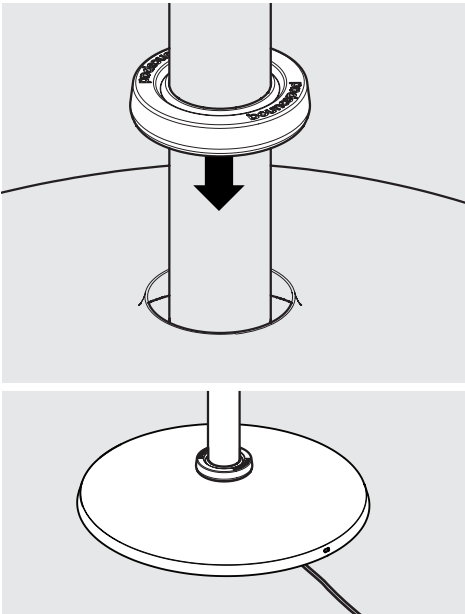


**9.1** Connect the tablet power cable to its mains power source.

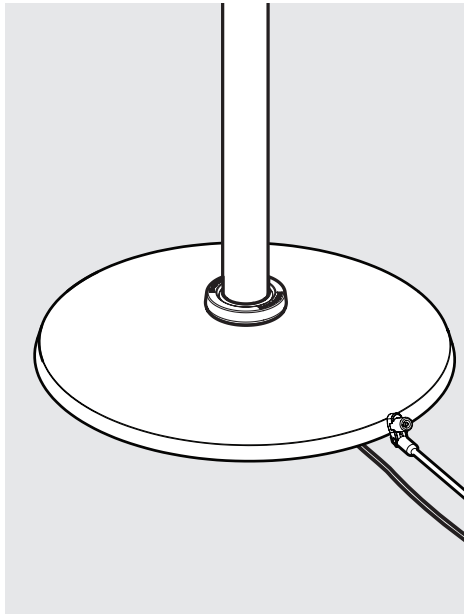


\*designed to support the Anker PowerCore 10000mAh.  
\*battery pack is not provided.

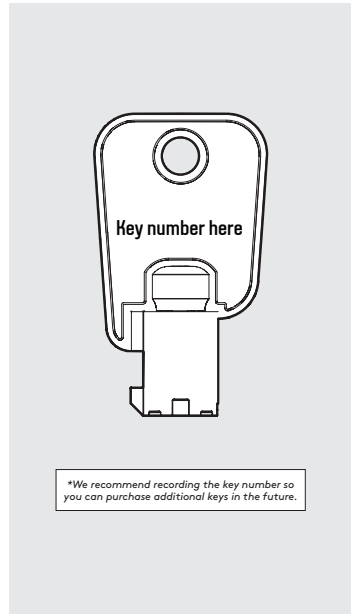
**9.2** If installing a battery pack, connect the tablet cable and locate the pack into the Floorstanding Base.



**10** With the Floorstanding Cover on the ground, locate and fit the Floorstanding Rubber Collar.



**11** Use a Kensington® Microsaver product to tether to a secure object. (refer to your Kensington® instructions for full details)



**12** Installation is now complete.

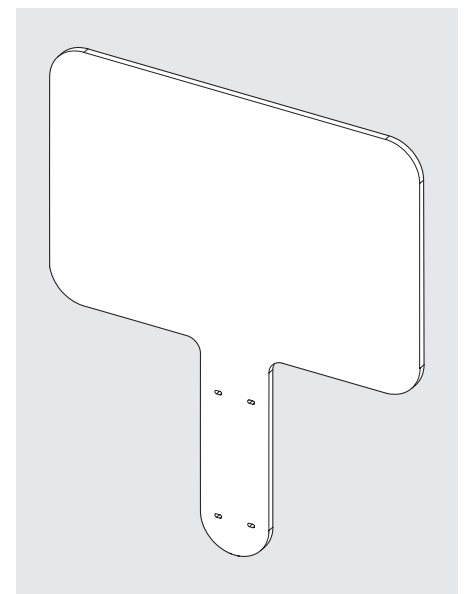
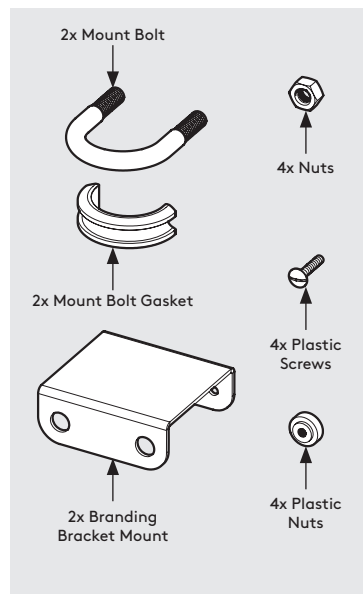
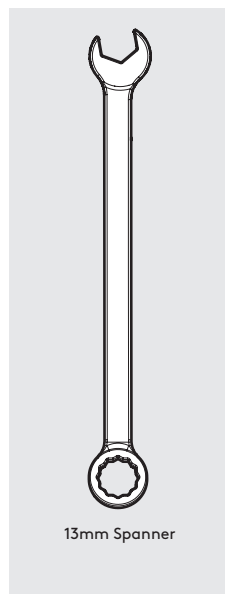
## Branding Mount

### Assembly Instructions

Follow these instructions for the successful assembly of your Branding board to your Floorstanding.

Sheet Code: BP-OR-IM-011\_REV2  
Release Date: 01/04/2019

Copyright 2016 Spotspot Ltd. (T/A Bouncepad) all rights reserved. Confidential, no part of this publication may be reproduced or transmitted in any form without the written permission of the copyright holder.



0

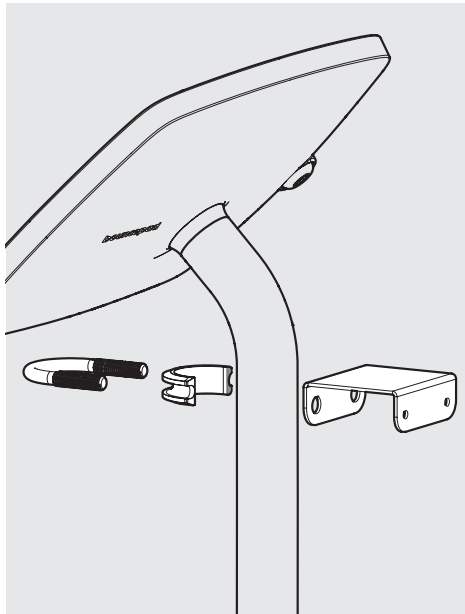
Tools required

0

Branding Mount - In the Box

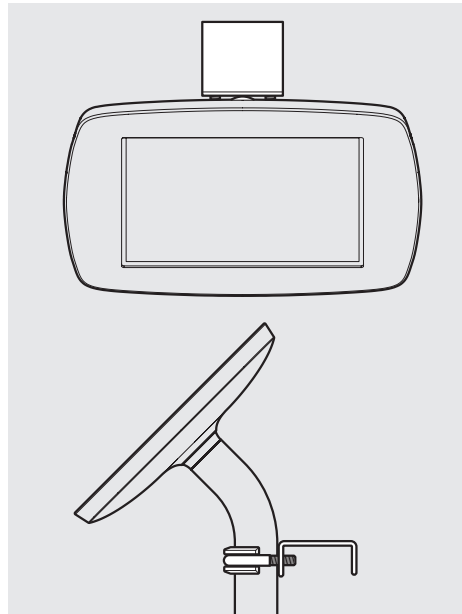
A1

Follow 'A' steps if installing a Placard board



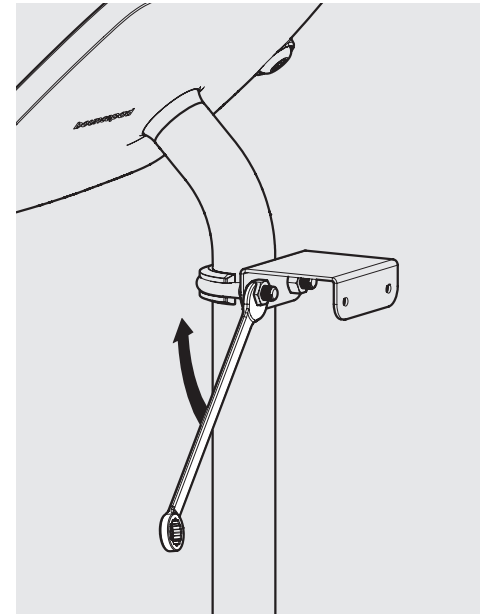
A2

Locate the top Bracket Mount & Mount Bolt to Floorstanding pole.



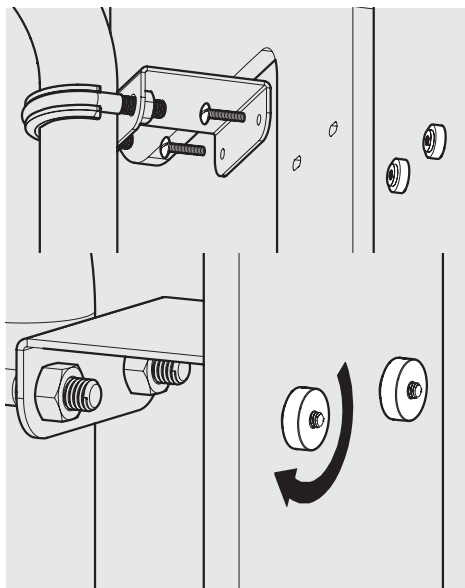
A3

Ensure that the Bracket Mount & Mount Bolt are positioned correctly as shown.



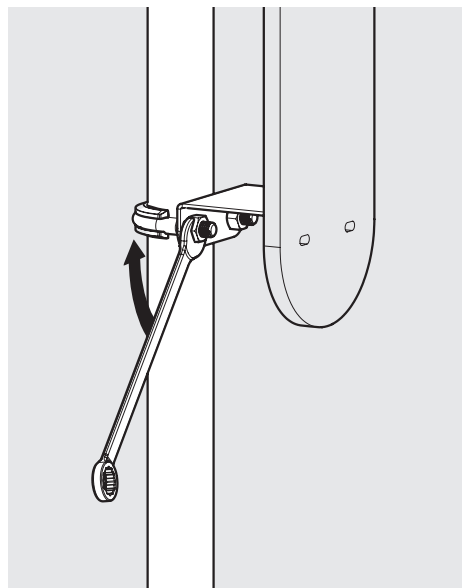
A4

Secure the Bracket Mount & Mount Bolt to the Floorstanding Pole with the supplied Nuts. Tighten evenly.



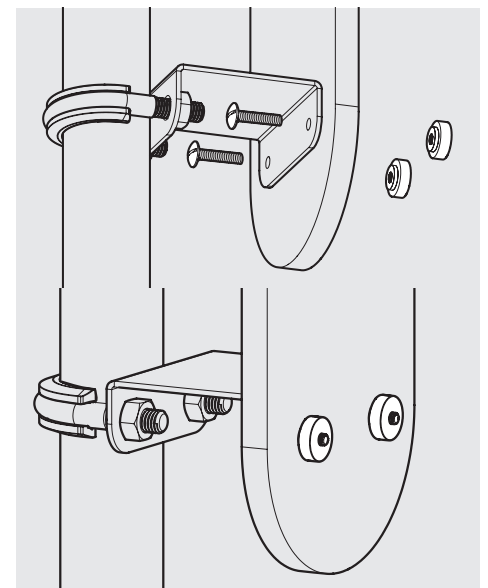
A5

Locate the Placard Board to the Bracket Mount. Secure with the supplied Plastic Screws & Nuts.



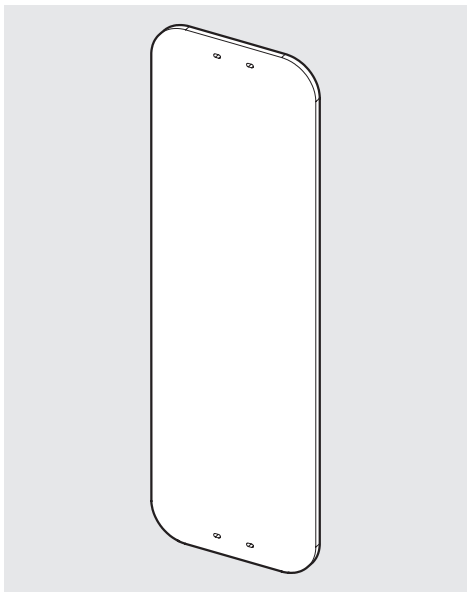
A6

Locate & secure the bottom Bracket Mount & Mount Bolt. Tighten the nuts evenly.

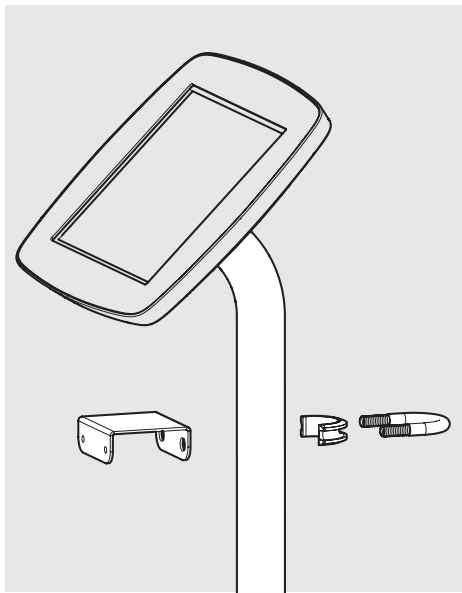


A7

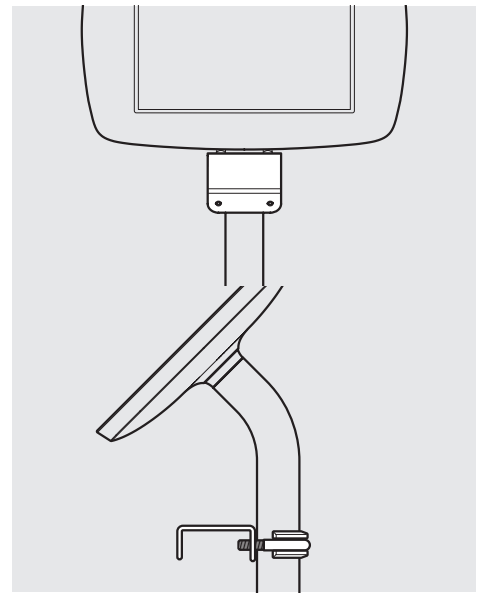
Secure the bottom section of the Placard Board with the Plastic Screws & Nuts. Installation now complete.



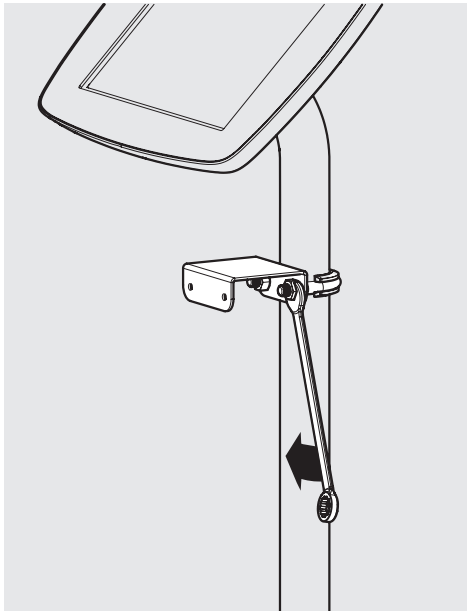
**B1** Follow 'B' if installing a Front Board



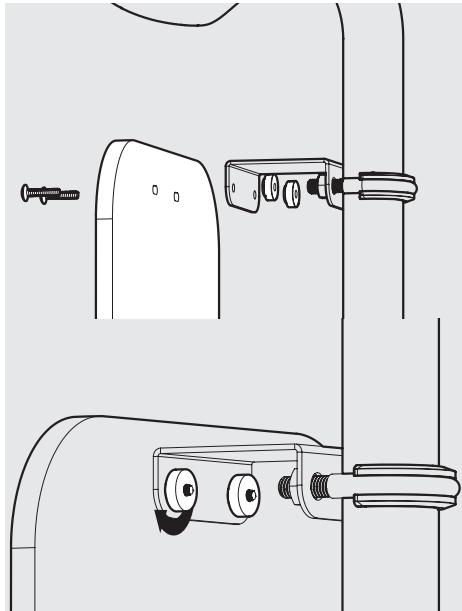
**B2** Locate the top Bracket Mount & Mount Bolt to the Floorstanding pole.



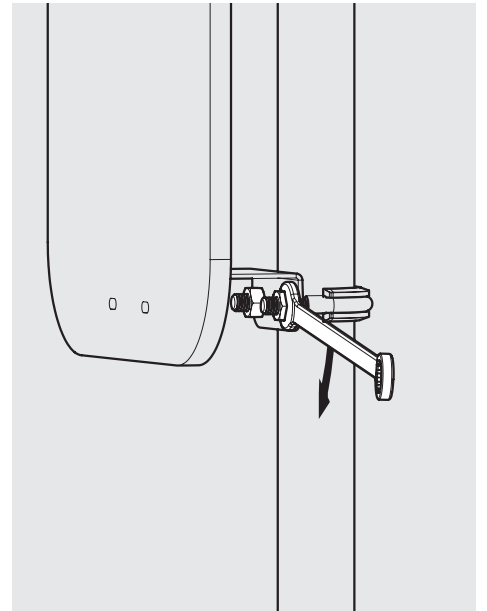
**B3** Ensure the Bracket Mount & Mount Bolt are positioned correctly as shown.



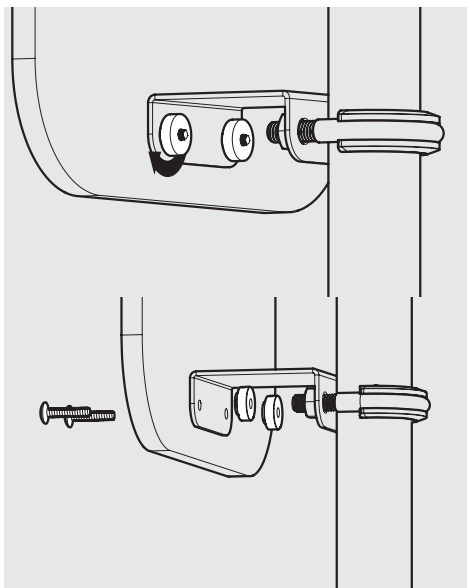
**B4** Secure the Bracket Mount & Mount Bolt to the Floorstanding Pole with the supplied Nuts. Tighten evenly.



**B5** Locate the Front Board to the Bracket Mount. Secure with the supplied Plastic Screws & Nuts.



**B6** Locate & secure the bottom Bracket Mount & Mount Bolt. Tighten the nuts evenly.



**B7** Secure the bottom section of the Front Board with the Plastic Screws & Nuts. Installation now complete.