

## Counter Flex Assembly Instructions

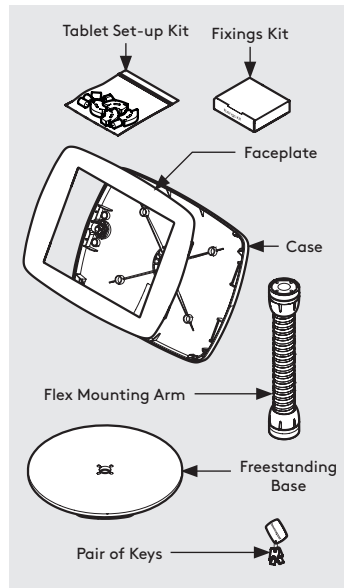
### Tools Required:

- Socket Driver

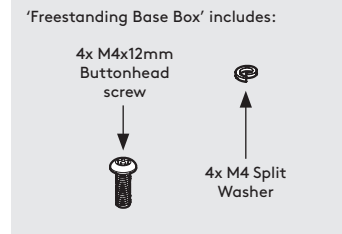
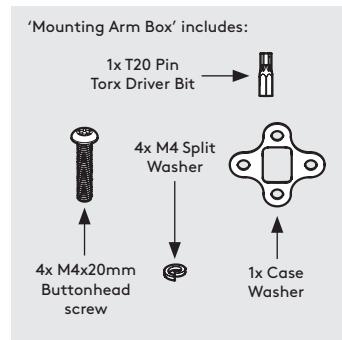
Sheet Code: BP-IM-039\_REV3

Release Date: 18/10/2023

Copyright 2016 Spotspot Ltd. (T/A Bouncepad) all rights reserved. Confidential, no part of this publication may be reproduced or transmitted in any form without the written permission of the copyright holder.

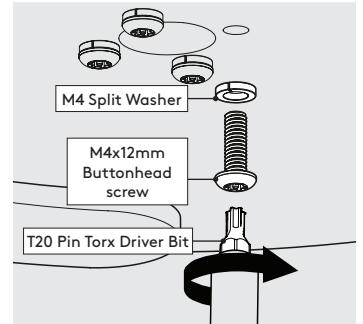
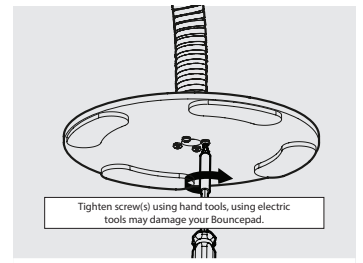


In the Box

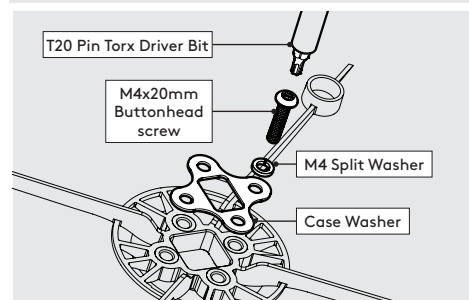
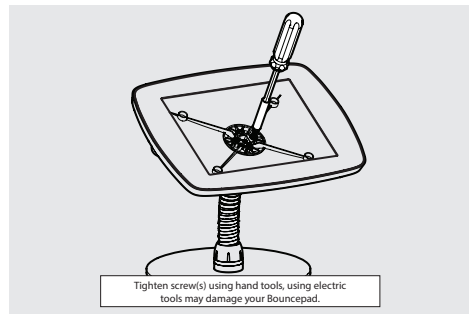


Fixings List

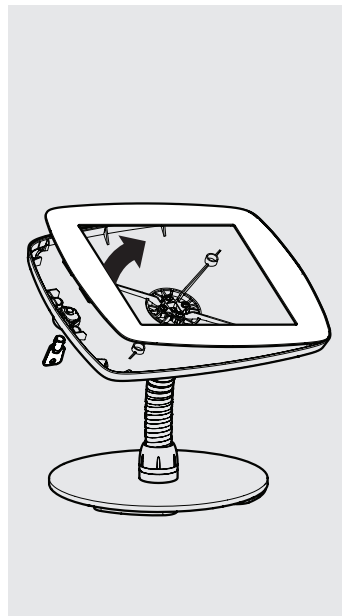
\* Due to the modular nature of our product range you may receive additional fixings in the fixings kit



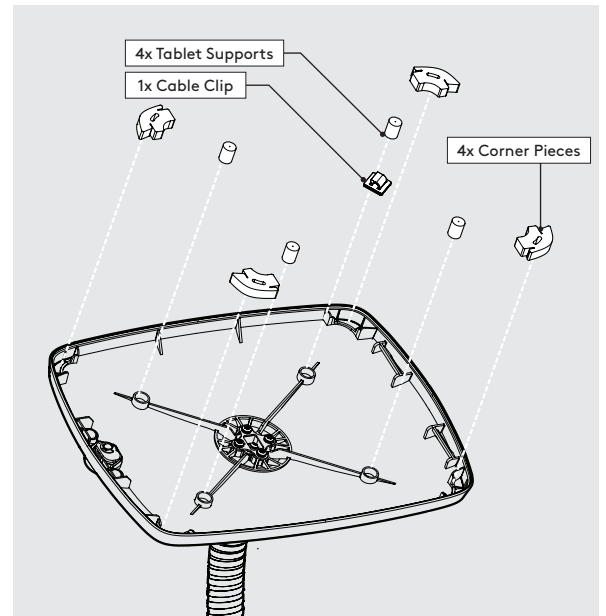
1 Locate & secure the Flex Mounting Arm to the Freestanding Base.



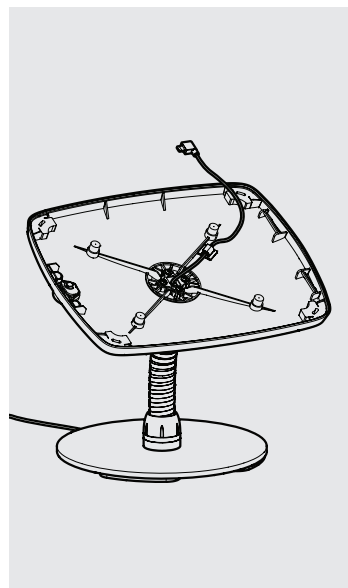
2 Attach the Bouncepad Case to its Mounting Arm. Take care to ensure correct & full thread engagement.



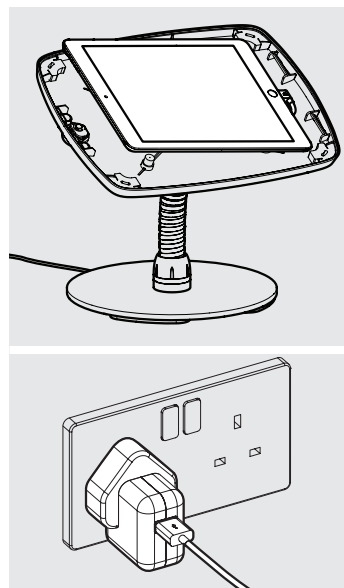
3 Unlock & remove the Faceplate from the Bouncepad Case.



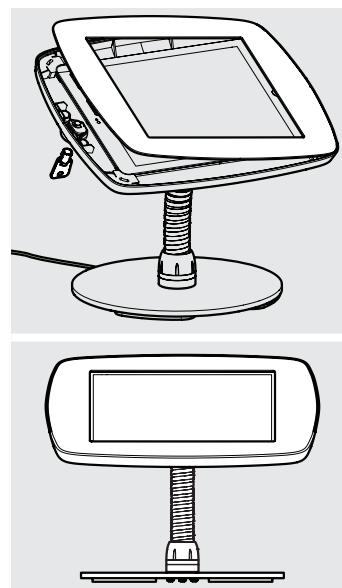
4 Install the Tablet Setup Kit. Each kit is specific per tablet device and Bouncepad Case.



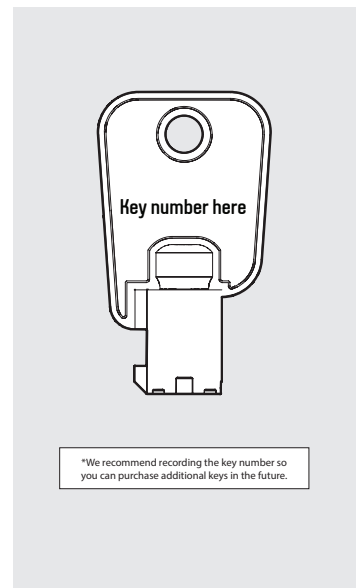
5 Feed the tablet cable through the Bouncepad Case & mounting arm



6 Place the tablet into the Case and connect to power.



6 Locate and lock the Faceplate onto the Bouncepad Case.



7 Installation is now complete.