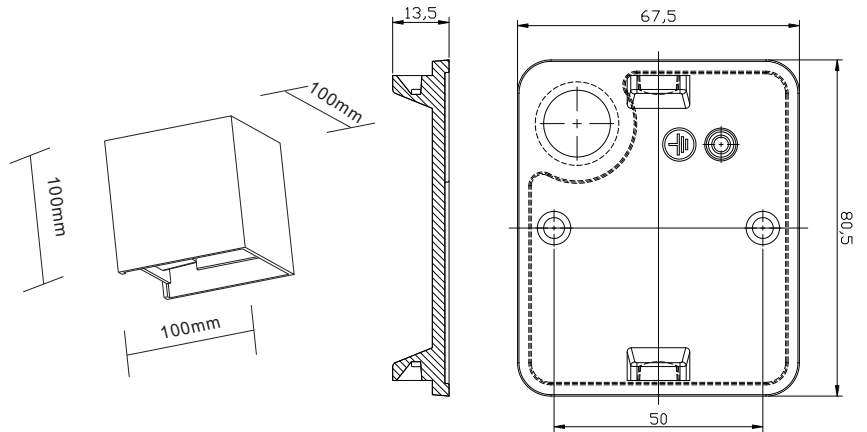
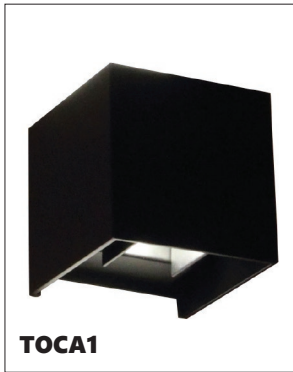
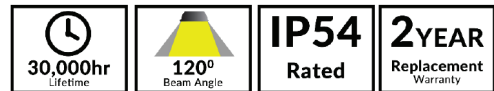


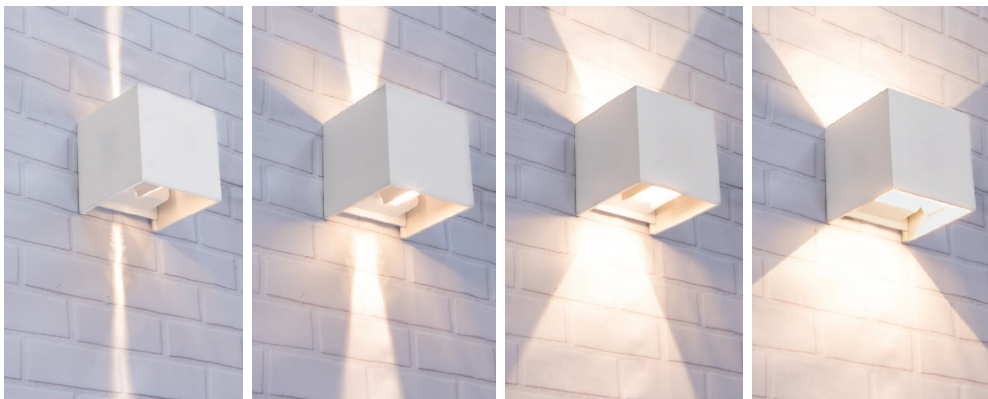


## TOCA SERIES LED EXTERIOR WALL LIGHTS

- With adjustable beam angle
- Input voltage: 220~240V AC 50/60Hz
- Output voltage: 13~24V DC
- Nominal current: 300mA
- Material: aluminium
- Wattage: 6.8W
- Power factor:  $\geq 0.5$
- 18pcs EDISON SMD2835 LED chips
- CRI: 80
- Ambient temp: -20 to +50°C
- Not suitable for dimming
- Suitable for 2-way switching
- Suitable for use with PIR & Microwave sensors



### Adjustable Beam Angle



PART NO.	DESCRIPTION	KELVIN (K)	LUMENS (LM)	WATT (W)	CRI	WEIGHT (KG)	BOX (CM)	CARTON QTY
TOCA1	WALL EXTERNAL UP/DOWN S/M LED ADJ BEAM ANGLE BL	3000	408	6.8	80	0.75	11x11x11	12
TOCA2	WALL EXTERNAL UP/DOWN S/M LED ADJ BEAM ANGLE SAND WH	3000	408	6.8	80	0.75	11x11x11	12

UPDATED ON 17.05.2018

Tel: (02) 9938 7100 | Fax: (02) 9938 7115 | Email: sales@clalighting.com.au

Website: www.clalighting.com.au

Follow us: facebook.com/CLALighting

CLA LIGHTING