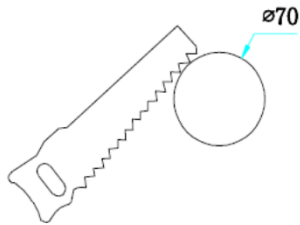
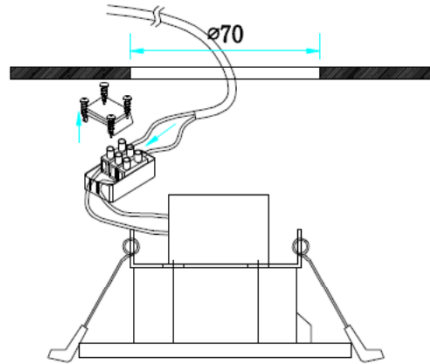


ITEM NO.: SNAP RD/SQ

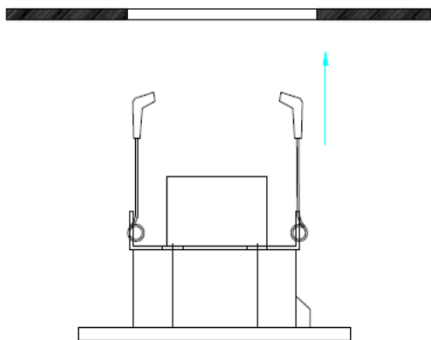
1.



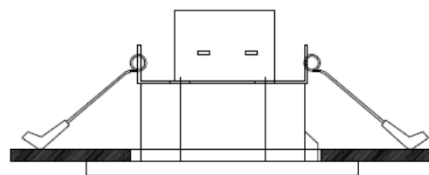
2.



3.






4.



240V ~ 50Hz LED 3W 4000K



Telbix.

- Disclaimer:
-  Tools not included
 -  Shade ring attached on lamp holder
 -  Globe(s) not included

IMPORTANT
Must be installed by a qualified electrical contractor.
Install in accordance with AS/NZ3000