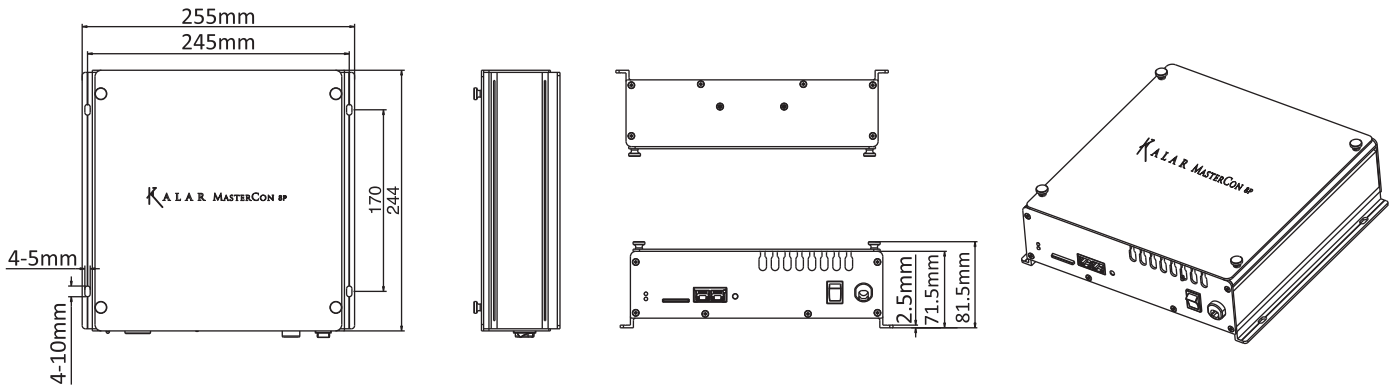




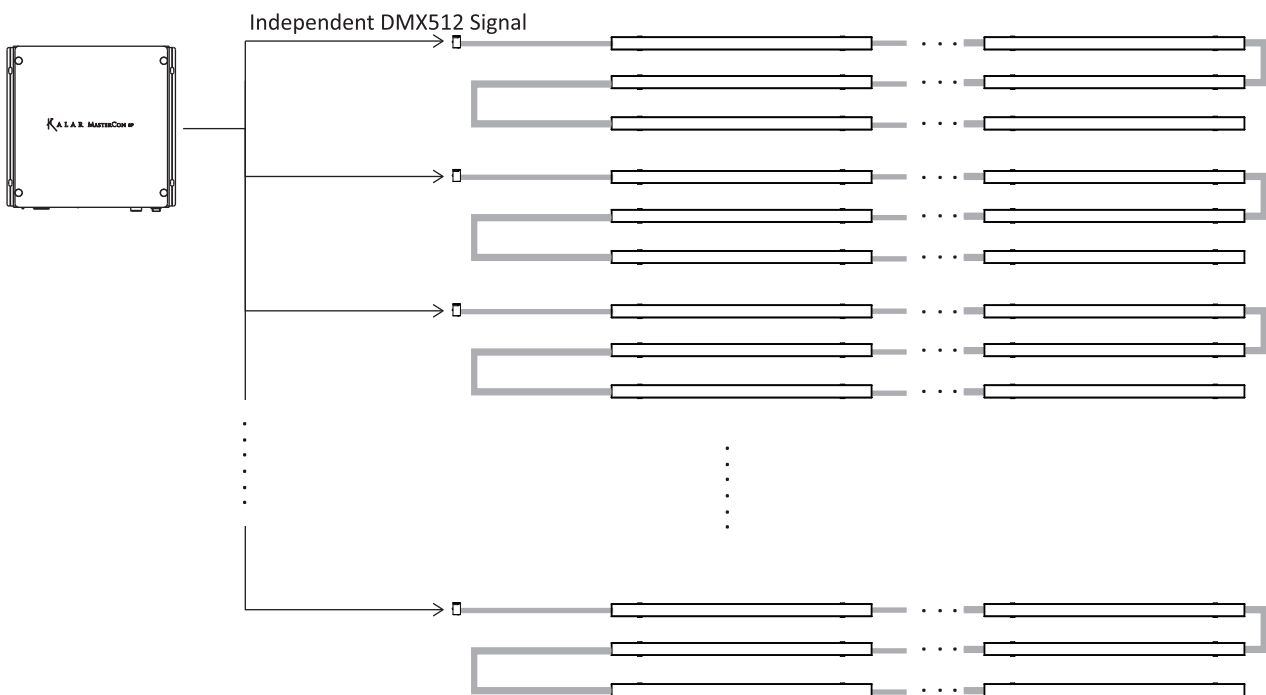
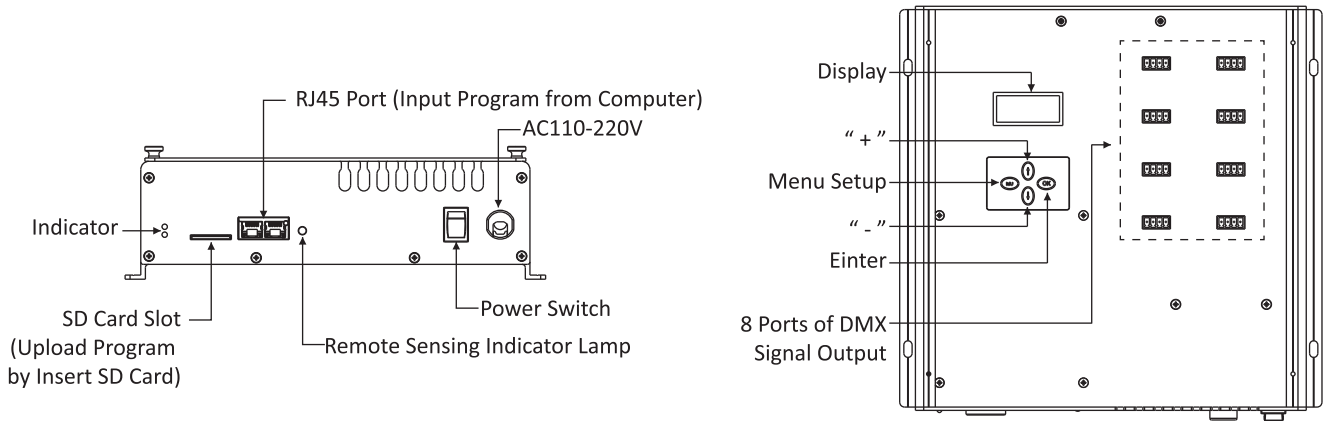
## Dimensions



## Specifications

Model Number	MC19200
AC Input	AC100-220V/50Hz
Power Consumption	15W
Signal Input	Manual Dimming
Dimming Function	DMX Signal output, 8 output ports, each port represents 1 independent DMX512 signal
Dimension	225(L)*244(W)*80.5 (T)mm
Weight	2.1kg
Mounting Method	Mounting by standard screws
Operation Temperature	-20°C~55°C

## Configuration



- 1. A standard DMX512 signal supports maximum 32 devices and 512 addresses in one signal loop. Extra DMX512 signal, repeater, splitter may be needed to keep the signal stable when user is constructing a large scale of DMX512 system.
- 2. In one DMX512 loop, distance from DMX512 signal source output point to the last lighting fixture signal terminator should not exceed 80 meters. Extra DMX512 signal, repeater, splitter may be needed to strengthen the signal for long transmission distance.
- 3. If there is any uncertainty, please contact [kalar@iotena.com](mailto:kalar@iotena.com) for further information.