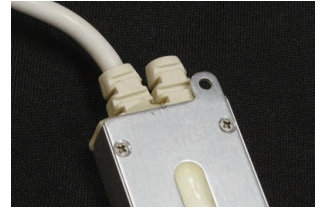
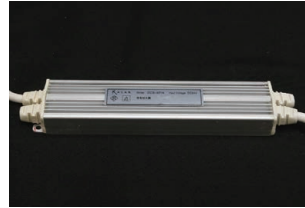
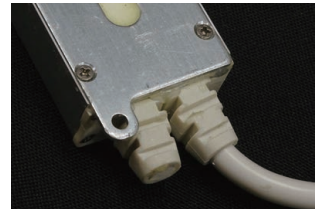
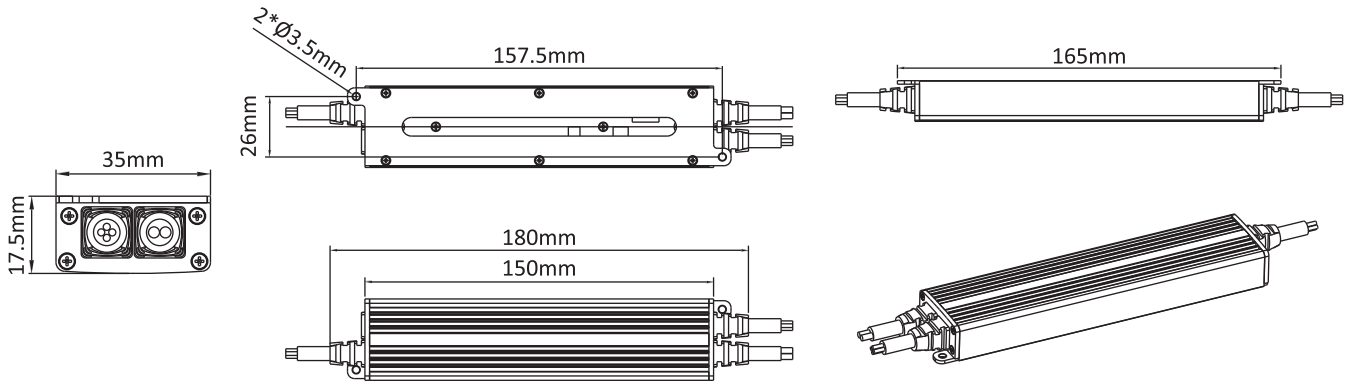


DMX REPEATER w35



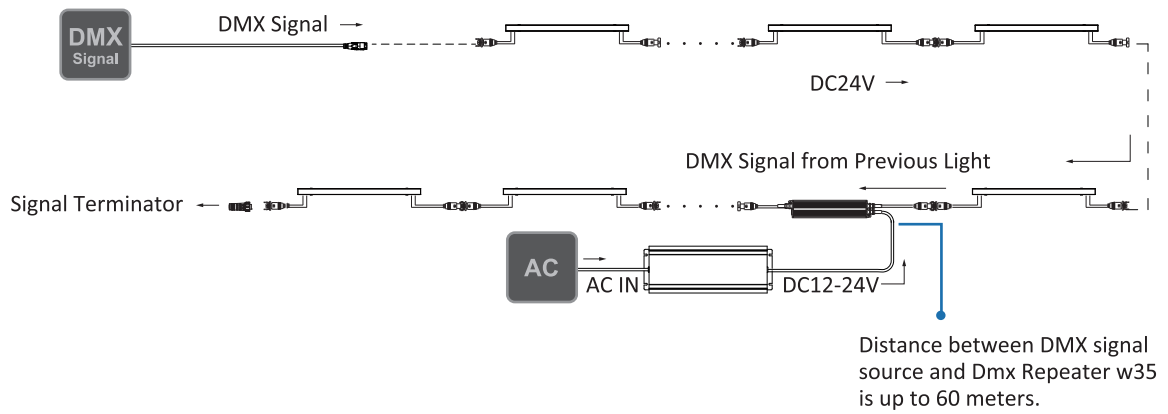
Dimensions



Specifications

Model Number	DR89700
Power Input	DC12-24V
Signal Input	DMX512 from previous lighting fixture
Signal Output	DMX512 Signal output, output with photoelectric coupling isolation, isolation is greater than 3000V
Dimension	165 (L) * 35 (W) * 17.5 (T)mm
Weight	0.28kg
Mounting Method	Mounting by standard screws
DMX Signal	DMX512
Operation Temperature	-20°C~55°C

Configuration



- 1. DMX Signal repeater is needed after certain distance and certain quantity of light fixtures.
- 2. If there is any uncertainty, please contact kalar@iotena.com for further information.