

AD 951

Quality and precision in a nutshell

Impressive design and convincing key components - the optimised machine concept and numerous innovative detailed solutions incorporated into the AD 951 have been specially designed for the high requirements of professional woodworking.



Unique:



**Silent-POWER®
Spiral Cutterblock**

Please check the price list for the various machine options.

900 SERIES Planer Thicknessers



Quality and precision from Austria



All information directly to your mobile. Simply scan the QR code for more details about the AD 951.



Synchronous opening of the planing tables



Change the blades in record time



Rubber rollers
Segmented pressure bar



Variable adjustable feed rate 4–16 m/min



"Digi-Drive" Full electronic adjustment

AD 941

For amazing planing results

With technologically advanced detailed solutions, innovative operating concepts and clear machine design, the AD 941 planer thicknesser impresses woodworkers from all over the world.

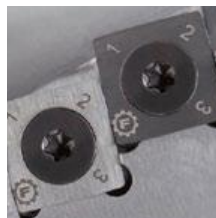


Please check the price list for the various machine options.

900 SERIES Planer Thicknessers



Unique:



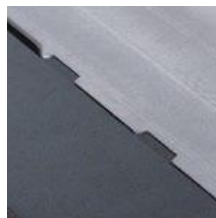
**Silent-POWER®
Spiral Cutterblock**



**Synchronous opening
of the planing tables**



**Change the blades
in record time**



**Prismatic guiding of
the planer tables**



Table extensions



**"Power-Drive"
Adjustment and
repeatability accuracy**



Quality and
precision from
Austria

All information directly to your mobile.
Simply scan the QR code for more
details about the AD 941.



D 963 / D 951

Powerful precision

Optimised for maximum requirements – with 630 mm thickening width, this thickener is a powerhouse of performance and precision.

Innovative operating controls and large dimensioned, heavy-duty precision components ensure superb machining, maximum precision and durability.



Unique:



**Silent-POWER®
Spiral Cutterblock**

Please check the price list for the various machine options.

900 SERIES Thicknessers

Absolute reliability for many years to come

These machines will provide you with more precision and quality than you could ever imagine from a thicknesser. It's fast and easy to change the planer knives.

In less than a few minutes, your cutterblock will be re-equipped with sharp Felder knives and ready for use.



Quality and precision from Austria



All information directly to your mobile. Simply scan the QR code for more details about the D 963/951.



Change the blades in record time



Stability and durable precision



Variable adjustable feed rate 4-16 m/min



Rubber rollers segmented pressure bar



Scissor lifting table

A 951 L

The optimised planer with 2,700 mm planing table length

Designed for the highest requirements of stability, performance and user comfort, the new A 951 L ensures excellent planing results with the latest in cutterblock technology.



Unique:



Silent-POWER®
Spiral Cutterblock

Please check the price list for the various machine options.

900 SERIES Planers



Quality and precision from Austria



All information directly to your mobile. Simply scan the QR code for more details about the A 951 L.



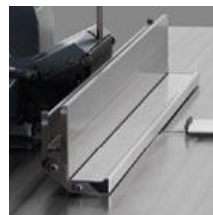
Change the blades in record time



2,700 mm planer table length



Professional planer fence with parallelogram adjustment



Combination fence



Comfort EURO planer guard

A 951 L & D 951

The perfect machine combination

Tip: The combination of the D 951 thicknesser with the A 951L planer and the space saving planer fence has resulted in the perfect combination.





Quality and
precision from
Austria

A 941

Planing quality at the highest level

Perfectly planed surfaces, maximum reliability, user-friendliness that is in a class of its own and top operating safety are always guaranteed. With high-tech detailed solutions, intuitive operating concept and modern design, the A 941 planer has proven itself worldwide.



900 SERIES Planers



Unique:



**Silent-POWER®
Spiral Cutterblock**



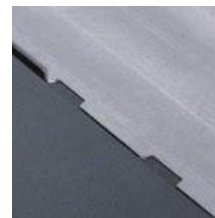
**Surface planer table
length 2,200 mm**



**Change the blades
in record time**



Table extensions



**Prismatic guiding of
the planer tables**



**Comfort EURO
planer guard**



Quality and
precision from
Austria



All information directly to your
mobile. Simply scan the QR code
for more details about the A 941.



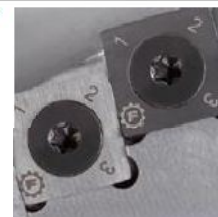
AD 741

Proven quality at the best price

The tried and tested planer/thicknesser from the Felder 700 series is renowned for its excellent planing results and reliability. In the new design, the AD 741 offers an unbeatable price/performance ratio and is a perfect entry level model into professional woodworking.



Unique:



**Silent-POWER®
Spiral Cutterblock**

Please check the price list for the various machine options.

700 SERIES Planer Thicknessers



Quality and precision from Austria



All information directly to your mobile. Simply scan the QR code for more details about the AD 741.



Change the blades in record time



Dual opening of the planer tables



"Power-Drive" Full electronic adjustment



Table extensions



Optional: Mortising attachment

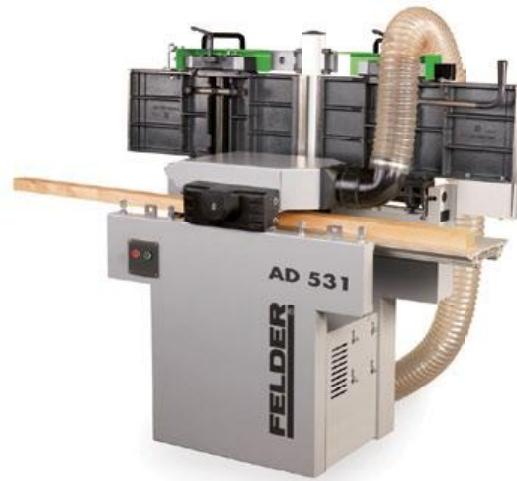
AD 531

More machine for your money
cannot be found in this price class!

Clean planing finish and totally reliable -
the FELDER AD 531 impresses with tried
and tested system solutions from Felder and
a sensational price/performance ratio.



500 SERIES Planer Thicknessers



Unique:



Silent-POWER®
Spiral Cutterblock



Change the blades
in record time



Prismatic guiding
of the planer tables



Optional: Mortising
attachment



Comfort EURO
planer guard



Table extensions



Quality and
precision from
Austria

All information directly to your
mobile. Simply scan the QR code
for more details about the AD 531.



Planing with FELDER

Perfect technology for perfect results

Stability for high performance

The solid cast iron cutterblock housing is built for heavy duty work. The serrated steel infeed roller and the micro-serrated steel outfeed roller guarantee a perfect transport of the workpiece through the machine. Both steel rollers are large dimensioned and non-wearing. The combination of cutterblock, transport feed rollers and type of wood are essential for perfect planing results.

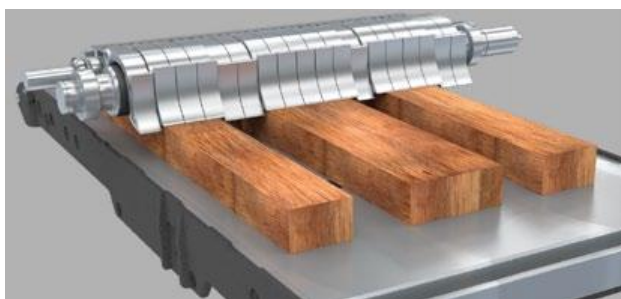


POLY-V drive

Spring loaded infeed roller

Spring loaded segmented pressure beam

Cast iron cutterblock housing



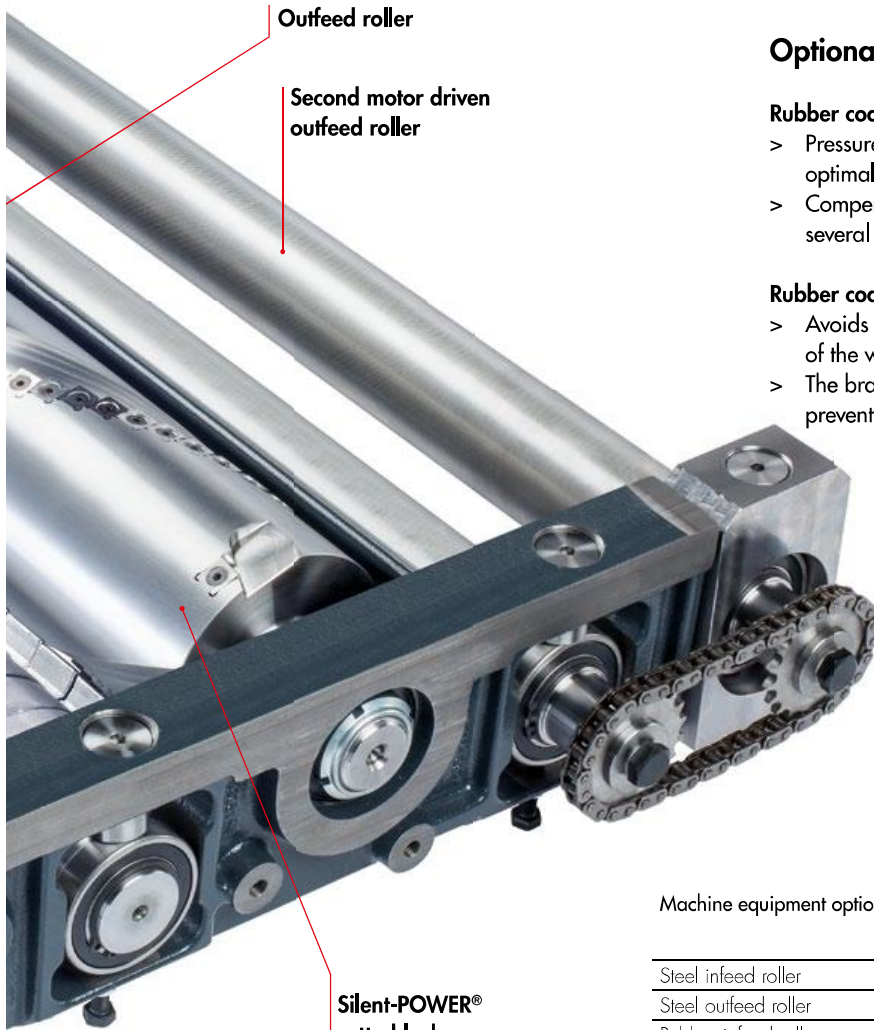
Spring loaded segmented pressure beam

A recommended option when planing with a small depth of cut, with very thin workpieces or workpieces with varying thicknesses.



Your Felder, as individual as you!

Planing/ Thicknessing



Outfeed roller

Second motor driven
outfeed roller

Silent-POWER[®]
cutterblock

Optional: Rubber coated feed rollers

Rubber coated infeed rollers

- > Pressure mark free and steady feed of thinner workpieces and optimal feeding when planing with a minimal depth of cut
- > Compensates for height differences when planing several workpieces at the same time

Rubber coated outfeed roller

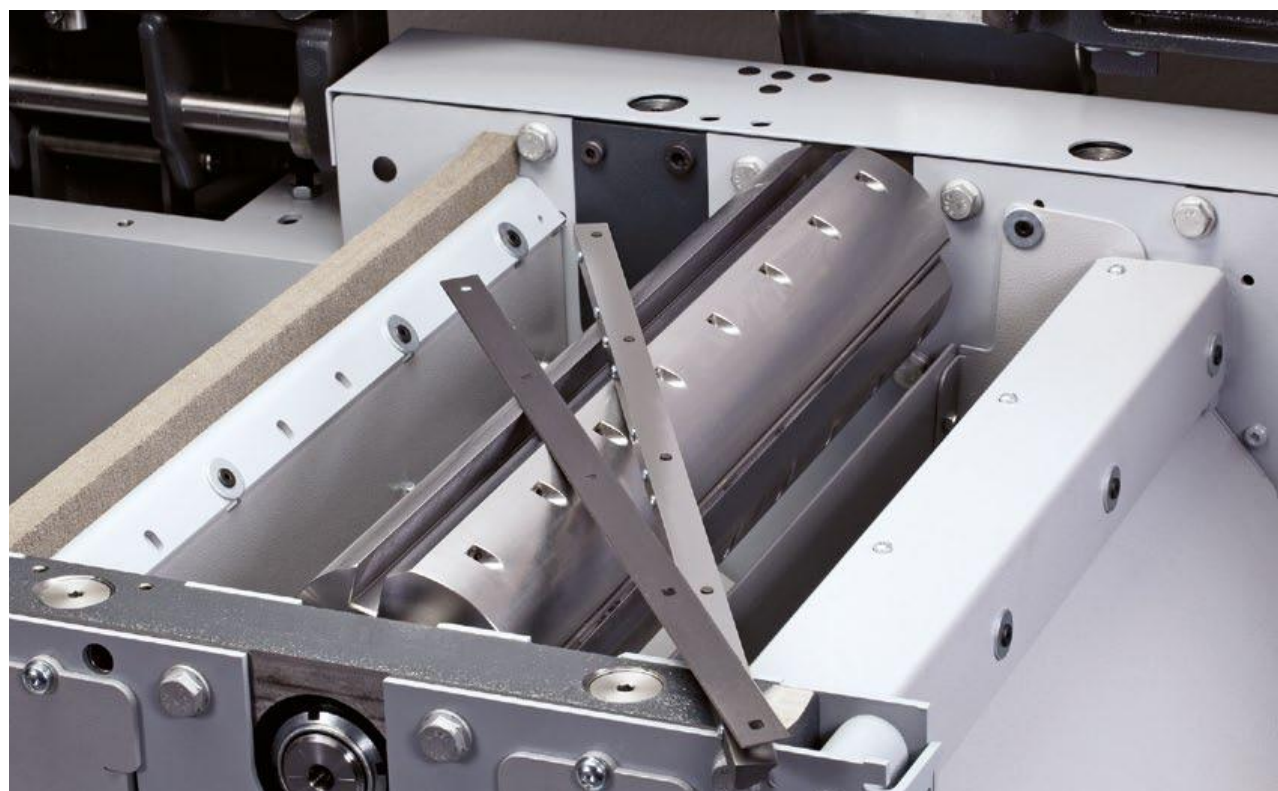
- > Avoids causing damage to the surface of the workpiece on the outfeed
- > The braking effect of the rubber rollers prevent possible planing marks

Machine equipment options	AD 531	AD 741	AD 941	AD 951	D 951	D 963
Steel infeed roller	S	S	S	S	S	S
Steel outfeed roller	S	S	S	S	S	S
Rubber infeed roller	-	-	-	○	○	○
Rubber outfeed roller	-	-	-	○	○	○
+ Second steel outfeed roller	-	-	-	-	-	○
+ Second rubber coated outfeed roller	-	-	-	-	-	○

S ... Standard features ○ ... Option - ... not available

Standard: FELDER System cutterblock

See and feel the incredible smooth finish!



The Felder System cutterblock has been a particular highlight of every Felder planer for almost 30 years. First introduced in 1987, the unique cutterblock system for stationary woodworking machines was launched with the slogan "never adjust your planer knives again". The advantages the system had back in 1987 are still relevant today: Quick change of the blades without any adjustments, zero investment in expensive setting devices, low-cost reversible blades available from stock, perfect and sensational planing results in every type of wood.

Machine equipment options	AD 531	AD 741	AD 941	AD 951	D 951	D 963	A 941	A 951	A 951 L
2-knife Felder system cutterblock	S	S	S	-	-	-	S	-	-
4-knife Felder system cutterblock	O	O	O	S	S	S	O	S	S
4-knife standard cutterblock	O	O	O	O	O	O	O	O	O
3-knife TERSA cutterblock	O	O	O	-	-	-	O	-	-
4 knife TERSA cutterblock	-	-	-	O	O	-	-	O	O
Silent-POWER® Spiral Cutterblock	O	O	O	O	O	O	O	O	O

S ... Standard features O ... Option - ... not available



**Planer knife adjustment without tools –
accurate to a tenth of a millimetre, standard with FELDER**

- > 2 or 4 knife cutterblock
- > Knife change in less than two minutes
- > Self-aligning knives are perfectly set each and every time
- > No resin buildup on the clamping bolts
- > Extremely quiet operation due to the enclosed design
- > Maximum durability of the knives
- > Cost saving with cheaper knife costs



Your Felder, as
individual as you!

Revolutionary: Silent-POWER® cutterblock

Sensationally quiet planing and money saving!



Only by
FELDER

Exclusive for planers from the FELDER Group

The Silent-POWER® spiral cutterblock reduces noise emissions by more than half when planing.

The continuous pulling cut ensures tear-free results when planing all types of wood. With this revolutionary new development from Felder you are obtaining all of the advantages of a spiral cutterblock at considerably lower operating, investment and adjustment costs.

The advantages of the Silent-POWER® cutterblock at a glance ...

- > Sensationally quiet, noise emissions halved
- > Blade life up to 20 times longer
- > Four highly precise cutting edges on each knife
- > Optimised chip extraction and reduced chip volume
- > Tear-free planing results
- > Reduced power consumption when compared to similar systems

The original - often copied, never matched!

Only the Silent-POWER® cutterblock from the Felder Group has a cutting geometry that is based on a spiral knife cutterblock, with two spirals of closely aligned rotatable knives and completely overlapping cutting edges.

In comparison with similar cutterblocks, in particular, those with more than two cutting tracks, Silent-POWER® offers significantly more advantages for the operator: Reduction in power consumption, which results in lower energy costs. An improved chip flow through the larger chip space. Reduced material usage and long-term costs with longer useable life of the blades and a lower number of blades when compared with several row spiral cutterblocks.

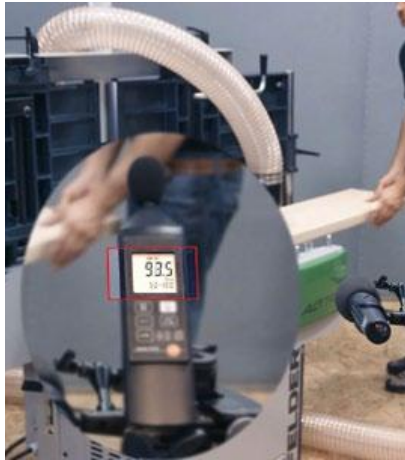
Decide on the original and profit from

- > Reduced power consumption
- > Noticeably longer useable life of the blades
- > Maximum efficiency and reduced long-term costs



Your Felder, as
individual as you!

Planing/ Thicknessing



Incredibly quiet

For your health and your employees. The Silent-POWER[®] cutterblock reduces noise levels by 50 % (10 db A) when compared with conventional systems.



Blade life up to 20 times longer - saves money!

Tungsten carbide cutters in the Silent-POWER[®] cutterblock ensure a useable life up to twenty times that of standard HSS blades.



Four cutting edges - more "planing knife", at the same price in each piece!

Each tungsten carbide knife in the Silent-POWER[®] cutterblock has four cutting edges. Quick change of the cutter with a simple single turn.



Reduced power consumption - save energy costs!

Regardless of the planing width, the Silent-POWER[®] cutterblocks require significantly less power consumption when compared with similar systems.

Smaller chips - compact better

The optimised extraction hood ensures that the noticeably shorter chips are optimally extracted and therefore compress better in the dust bags.



Long, solid planing tables

Extreme reliability even under maximum load



Long, solid cast iron planer tables with prismatic guides for maximum accuracy and unrivalled precision



With the proven Felder table extension systems, you can extend your planer table quickly and without tools.

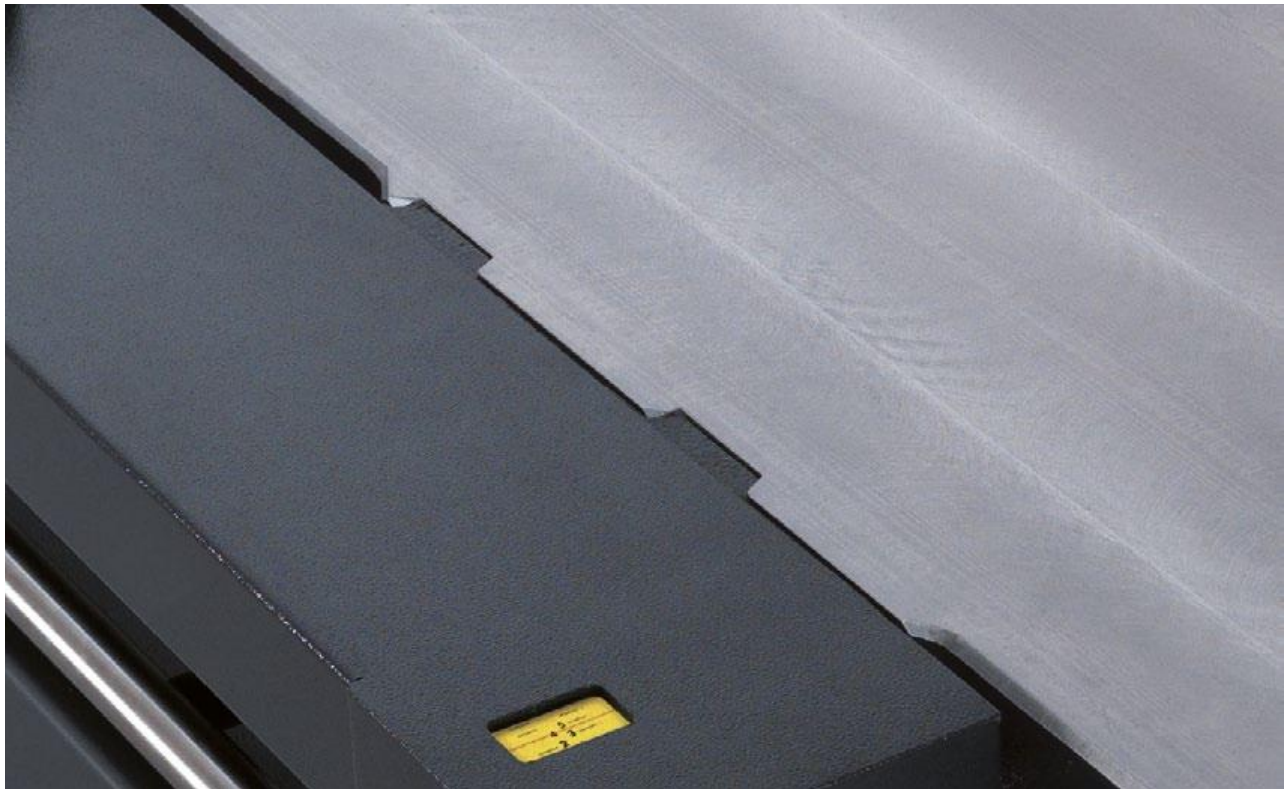


Your Felder, as individual as you!

	Planer table length	Extendable to a max.
AD 531	1,500 mm	3,500 mm
AD 741	2,000 mm	3,800 mm
AD 941	2,200 mm	4,000 mm
AD 951	2,250 mm	4,050 mm
A 941	2,200 mm	4,000 mm
A 951	2,250 mm	4,050 mm
A 951 L	2,700 mm	-

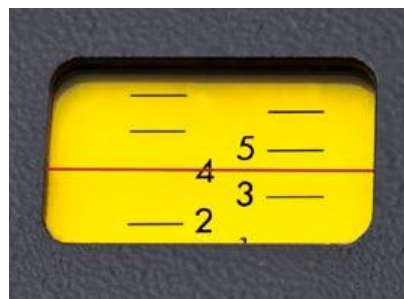
Planer table adjusting system

FELDER precision in every class of machine



The FELDER prism guidance, accurate adjustment for many years

The patented Felder planer table adjustment system, uses prism guidance for the highest level of adjustment precision.



Precise adjustments, easy to read

The depth of cut can be adjusted and set at any position. The integrated lens makes it possible to accurately read the setting, ensuring exact results. The magnifying lens is set slightly into the machine table ensuring that even with heavy use it is protected from being damaged.



The new 900 series depth of cut quick adjustment

With the new ergonomically shaped depth of cut adjustment handle, you can adjust the depth of cut quickly and precisely.

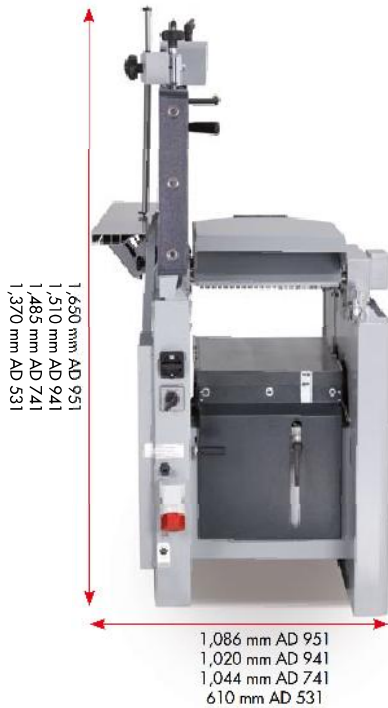
Planer fence

Stable, accurate and space saving



Space saving FELDER planing fence

The planer fence: A masterpiece of space saving design that ensures stability and precision! The planer fence can be tilted to any position from 90° to 45°. There is an end stop at both the 90° and 45° positions.



FELDER planer guard

Maximum operational safety and ease of use. The space saving planer guard is integrated into the machine chassis and stabilises the workpiece when planing and bevelling.



The FELDER auxiliary fence

When processing thin or narrow workpieces the new tiltable auxiliary fence attached to the planer fence, guarantees safe and comfortable planing.

FELDER changeover comfort
From planing to thicknessing in record time



Synchronous opening of the planing tables

The tried and tested Felder operating concept reduces the effort in changing from planing to thicknessing to a minimum. The intuitive table damping system makes it possible to synchronously unlock and lift the planing tables with one hand movement.



Thickening with FELDER Perfect planing technology



Maximum thickening height for the highest requirements

The large dimensioned thickening height of 300 mm ensures that even large solid wood beams can be processed with ease.

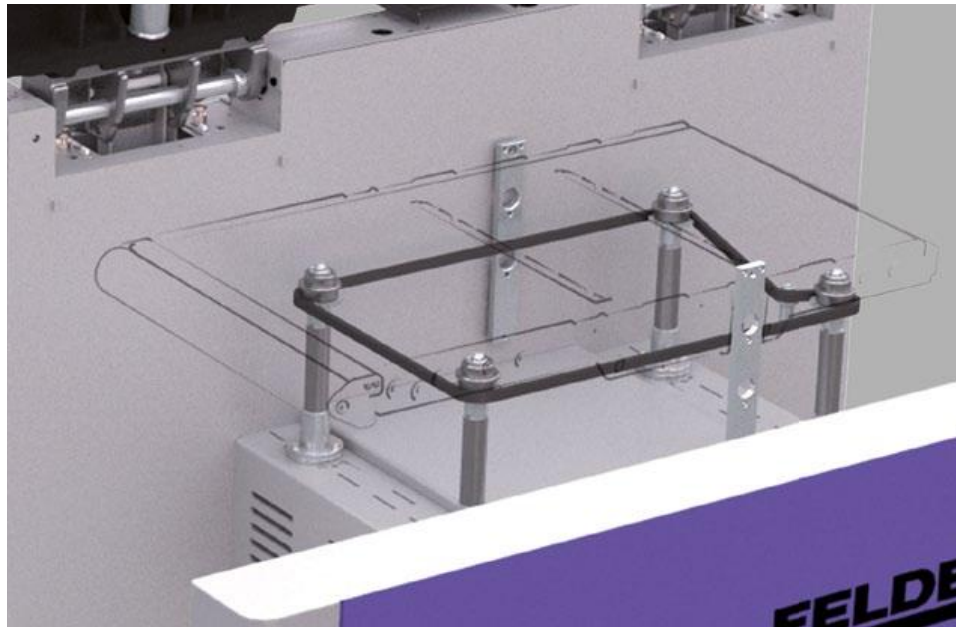
	Thickening height
AD 531	4–220 mm
AD 741	3–230 mm
AD 941	3–250 mm
AD 951	3–254 mm
D 951	3–254 mm
D 963	3–300 mm

Planing/ Thickening

Absolute setting accuracy

Stability and durable precision

Four trapezoidal support spindles ensure utmost precision and high load bearing capacity. Vertical guides integrated into the side of the machine chassis absorb the resulting outfeed side pressure and guide the thickening table into position with an accuracy of a tenth of a millimetre.



The perfect feed speed for every type of wood and grain. From the clearly laid out operating panel you can adjust the feed speed intuitively and in seconds.

	Feed Rate
AD 531	6 m/min
AD 741	6+12 m/min
AD 941	6+12 m/min
AD 951	Continuously variable 4-16 m/min
D 951	Continuously variable 4-16 m/min
D 963	Continuously variable 4-16 m/min



Optional: Integrated adjustable rollers for the processing of workpieces with high resin or moisture content.



Thicknessing table control accurate to a tenth of a millimetre
Top class FELDER operating comfort
Constant repeat accuracy with "Power-Drive"



The fully electrical "Power-Drive" thickener table control offers the most precise adjustment and repeat accuracy. With a turn of the knob, you can quickly adjust the thickening height, then fine-adjust using the button. With the integrated LED-display, you can easily see the current actual value.

Everything at the touch of a button with "Digi-Drive"



The programmable "Digi-Drive" thickening table control makes it possible to enter the thickening height using the numeric keypad and the thickening bed positions itself automatically and precisely. Two integrated LED displays show the current target and actual values. To optimise production you can save incremental measurements and individual thickening table positions.

Machine equipment options	Handwheel with digital display	"Power-Drive"	"Digi-Drive"
AD 531	○	-	-
AD 741	S	○	-
AD 941	S	○	-
AD 951	S	○	○
D 951	S	○	○
D 963	-	S	○

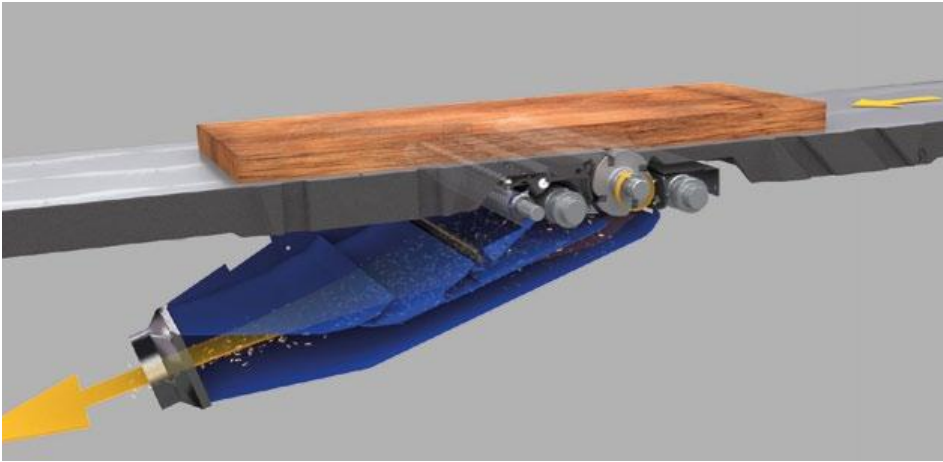
S ... Standard features ○ ... Option - ... not available



Your Felder, as individual as you!

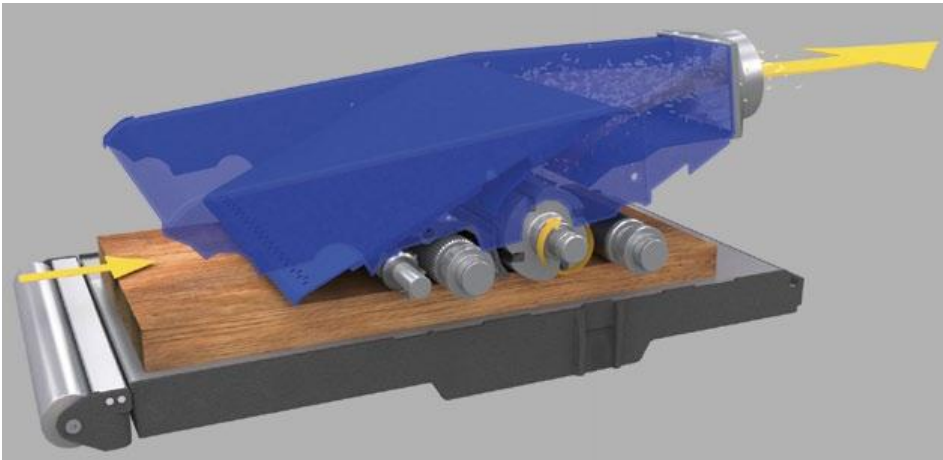
Planing with FELDER

Perfect extraction technology



A clean solution

The aerodynamically optimised construction of the dust extraction hood with its ample chip space guarantees an ideal chip extraction and clean working surface.



No more fluttering

Two pressure bars prevent the fluttering of the workpiece, in particular thinner pieces when thicknessing.



Pressure bar

FELDER system solutions Everything from a single provider

Your FELDER, as individual as you!

At Felder it is our company philosophy to offer you the exact machine that you require. This is why we offer you the possibility to select from the range of specifications and configure the machine that is perfect for your requirements.

Power feeders

A constant feeding speed achieves exact, precise results.

Scissor lifting table

The increased surface area makes it easier for you to operate your planer-thicknesser without the need for assistance.



Mortising unit attachment

Increases the usage options for your Felder machine and ensures maximum flexibility.



Your Felder, as individual as you!

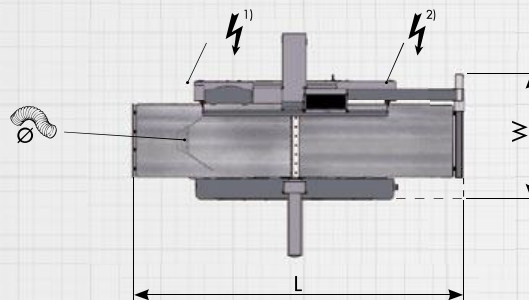
The Planer/Thicknessers



	AD 531	AD 741
Planer table length	1,500 mm	2,000 mm
Max. depth of cut Planer/Thicknesser	5/5 mm	4/4 mm
Surface planing width	310 mm	410 mm
Thicknessing width	306 mm	404 mm
Min.-max. thicknessing height	4-220 mm	3-230 mm
4.0 HP (3.0 kW) S6/40 %	S	S
5.5 HP (4.0 kW) S6/40 %	○	○
7.5 HP (5.5 kW) S6/40 %	-	○
10.0 HP (7.35 kW) S6/40 %	-	○
13.5 HP (10.0 kW) S6/40 %	-	-
Height (closed)	1,160 mm	1,043 mm
Height (open)	1,370 mm	1,485 mm
Working height	890 mm	890 mm
L	1,644 mm	2,168 mm
W	633 mm	765 mm
Extraction connection Ø Planer/Thicknesser	120 mm	120 mm
Acoustic noise level [dB (A)] in accordance with EN ISO 3746 when switched on but not planing***	88 ¹ /86 ²	84 ¹ /83 ²
Acoustic noise level [dB (A)] in accordance with EN ISO 3746 whilst planing***	95 ¹ /96 ²	91 ¹ /91 ²
Acoustic noise level at the workstation [dB (A)] in accordance with EN ISO 11202 when switched on but not planing***	75 ¹ /71 ² /73 ³	74 ¹ /69 ² /69 ³
Acoustic noise level at the workstation [dB (A)] in accordance with EN ISO 11202 whilst planing***	80 ¹ /78 ² /80 ³	83 ¹ /79 ² /78 ³

***An allowance must be made to compensate for tolerances with the specified emission values K= 4 dB (A); S ... Standard configuration ○ ... Option - ... not available;
 1 ... Planing unit 2 ... Thickness planer unit working position 1 3 ... Thickness planer unit working position 2 1,2,3 ... Measured using the SilentPower® spiral cutterblock

Scale
1:50



Symbolic image AD 531, AD 741,
AD 941, AD 951, A 941, A 951

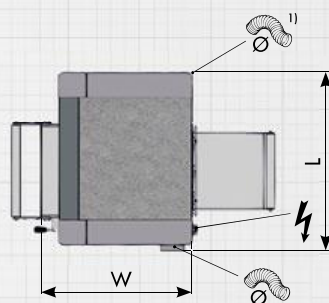
¹ Power connection AD 531, AD 741, AD 951, A 951
² Power connection AD 941, A 941



AD 941	AD 951	D 951	D 963	A 941	A 951	A 951 L
2,200 mm	2,250 mm	-	-	2,200 mm	2,250 mm	2,700 mm
5/5 mm	5/8 mm	8 mm	8 mm	5 mm	5 mm	8 mm
410 mm	510 mm	-	-	410 mm	510 mm	510 mm
404 mm	504 mm	504 mm	630 mm	-	-	-
3-250 mm	3-254 mm	3-254 mm	3-300 mm	-	-	-
S	-	-	-	S	-	-
○	S	S	-	○	S	S
○	○	○	-	○	○	○
○	○	○	S	○	○	○
-	○	○	○	-	○	-
1,270 mm	1,270 mm	1,085 mm	1,135 mm	1,270 mm	1,270 mm	1,270 mm
1,510 mm	1,650 mm	1,820 mm	1,890 mm	1,510 mm	1,650 mm	-
890 mm	890 mm	-	-	890 mm	890 mm	896 mm
2,360 mm	2,395 mm	1,030 mm	1,233 mm	2,360 mm	2,395 mm	2,700 mm
815 mm	900 mm	957 mm	1,087 mm	815 mm	900 mm	1,041 mm
120 mm	140 mm	140 mm	160 mm	120 mm	140 mm	140 mm
85 ¹ /83 ²	85 ¹ /83 ²	83 ²	84 ²	84 ¹	85 ¹	87 ¹
92 ¹ /91 ²	92 ¹ /91 ²	91 ²	90 ²	91 ¹	92 ¹	90 ¹
73 ¹ /71 ² /72 ³	73 ¹ /71 ² /72 ³	71 ² /72 ³	72 ² /67 ³	74 ¹	73 ¹	73 ¹
82 ¹ /76 ² /77 ³	82 ¹ /76 ² /77 ³	76 ² /77 ³	79 ² /76 ³	83 ¹	82 ¹	80 ¹



Further information about the technical data, individual configuration options and all noise level values can be found on the internet at www.felder.at



Symbolic image D 951, D 963

¹⁾ Extraction connection (optional)

Dimensions given can vary if special options are selected