

REIGN® DIMMER SWITCH

Date _____

Project Notes _____

High performance, in-line dimming with a seamless look. REIGN Wall Mount LED Dimmer Switches are the stylish companion for inline dimming capability from non-dimmable drivers.

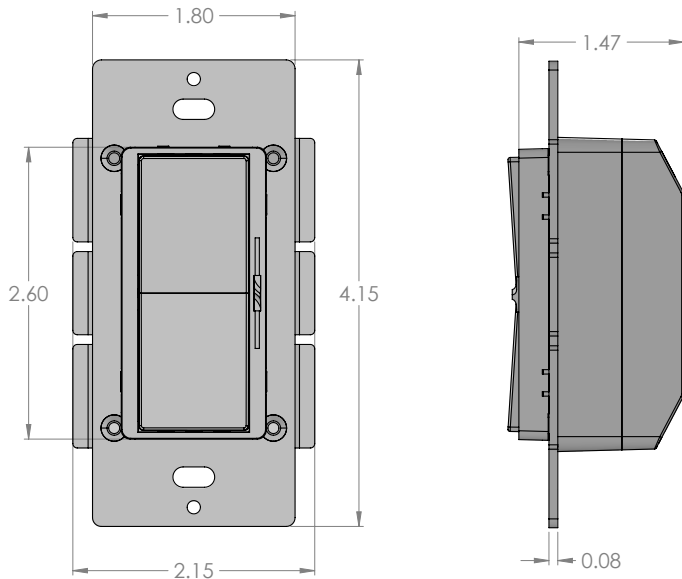
FEATURES

- 100%-0% diming
- Fits decora faceplates
- Enables dimming for Constant voltage drivers
- ETL Listed
- 5-year limited warranty



Diode LED	Model	Color
DI		
	REIGN	WH

MEASUREMENTS



Dimming Type	PWM
Input Voltage	12 - 24VDC
Output Voltage	12 - 24VDC
Maximum Load	12V-60W, 24V-100W
Dimming Range	0-100
Connections	Bare Wire
Ambient Temperature	-4 ~ 122°F (-20 ~ 50°C)
Operating Temperature	-4 ~ 176°F (-20 ~ 80°C)
Environment	Indoor
Dimensions	
Certifications	UL Certified
Included Items	Mounting Screws
Warranty	5 years

REIGN® DIMMER SWITCH

High performance, in-line dimming with a seamless look. REIGN Wall Mount LED Dimmer Switches are the stylish companion for inline dimming capability from non-dimmable drivers.

Date _____

Project Notes _____

WIRING CONNECTIONS

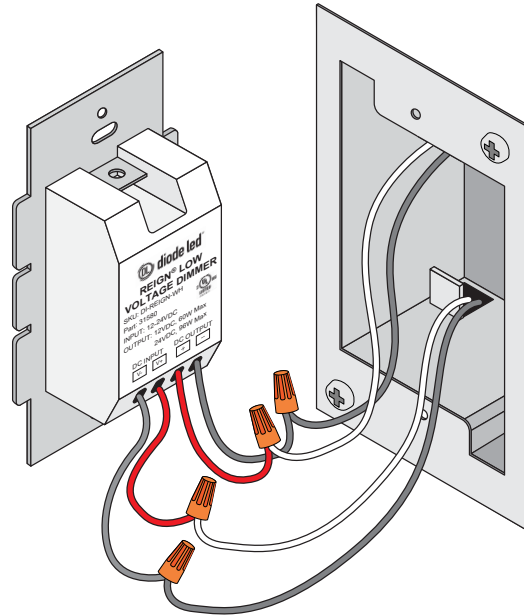
WARNING:

- Turn OFF High Voltage AC Power at the main breaker before installation.
- Never install low and high voltage wiring in the same wall box. A physical divider must exist when ganging low voltage and high voltage controls.

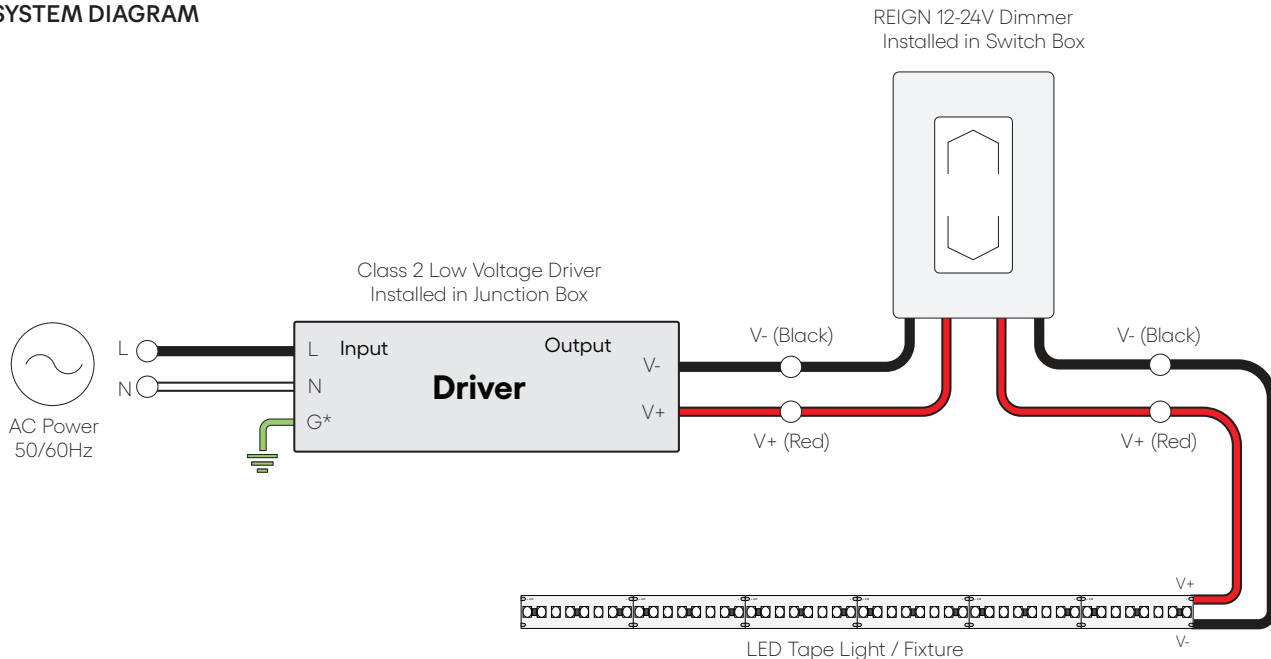
WIRING DIRECTIONS:

- Wire REIGN Dimmer Between Driver and Fixture.
- Only Use Copper Wiring.
- DO NOT CONNECT TO HIGH VOLTAGE POWER.

Attach INPUT of dimmer to driver.
Attach OUTPUT of dimmer to LED fixture.



SYSTEM DIAGRAM



REIGN® DIMMER SWITCH

High performance, in-line dimming with a seamless look. REIGN Wall Mount LED Dimmer Switches are the stylish companion for inline dimming capability from non-dimmable drivers.

Date _____

Project Notes _____

SAFETY / WARNINGS / DISCLOSURES

1. Install in accordance with national and local electrical code regulations.
2. This product is intended to be installed and serviced by a qualified, licensed electrician.
3. Only install with a Class 2 DC Constant Voltage LED driver.
4. Only use copper wiring. Use wires rated for at least 176°F (80°C) and certified for use with external connection of electrical equipment.
5. Each maximum run requires a dedicated power feed from the driver. Do not extend beyond the recommended maximum run length.
6. Tape light, attached wire leads, and additional extension cables, connectors, etc., are not rated for in-wall installation unless otherwise noted. Tape light and attached wire leads are field-cuttable.
7. Ensure applicable wire is installed between driver, fixture, and any controls in-between. When choosing wire, factor in voltage drop, amperage rating, and type (in-wall rated, wet location rated, etc.). Inadequate wire installation could overheat wires, and cause fire.
8. Do not install in environment where excessive heat may exist (ex. close proximity to fireplace, etc.) See Ambient Temperature ratings
9. Do not modify product beyond instructions or warranty will be void.
10. Actual color may vary from what is pictured on this sheet and other print materials due to the limitations of photographic processes.
11. We reserve the right to modify and improve the design of our fixtures without prior notice. We cannot guarantee to match existing installed fixtures for subsequent orders or replacements in regards to product appearance, CCT, or lumen output.

WARRANTY

Limited Warranty

- 5 Years

This warranty does not include the additional accessories referenced in this specification sheet. Complete warranty details for fixtures and additional accessories are available at www.diodeled.com/limited-warranty/ within the Policies section. For warranty related questions please contact product support.

Consumer's Acknowledgment

Elemental LED, Inc. stands behind its products when they are used properly and according to our specifications. By purchasing our products, the purchaser agrees and acknowledges that lighting design, configuration and installation is a complex process, wherein seemingly minor factors or changes in layout and infield adjustments can have a significant impact on an entire system. Choosing the correct components is essential. Elemental LED is able to work with the original purchaser to make an appropriate product selection to the extent of the limited information that the customer can provide, but it is virtually impossible for Elemental LED to design a system that foresees every unknown factor. For this reason, this Warranty does not cover problems caused by improper design, configuration or installation issues. Any statement from a Elemental LED employee or agent regarding a customer's bill of goods and/or purchase order is NOT an acknowledgment that the products purchased are designed and configured correctly. The purchase agrees and acknowledges that it is the customer's responsibility to adhere strictly to all information contained in the Product Specification Sheets.

There is often more than one way to design, configure and layout an LED lighting application properly to achieve the same lighting effect. Elemental LED strongly recommends that licensed professionals be used in the design and installation of lighting systems that include Elemental LED products. The specifications include important information that a designer and installer should carefully review and strictly follow. Qualified designers and certified and/or licensed installers, with access to the final installation environment, customer goals, and Elemental LED product specifications can make the requisite decisions appropriate for a successful finished lighting application.