



Super Alphago

www.alphagofitness.com.au

Assembly Instruction

Smith Machine SP024



Directory

Directory -----	1
Safety Precautions -----	2
Final Assembly Drawing -----	3
List of Parts -----	4-6
Installation Step -----	7-17
Maintenance -----	18
Waranty -----	19

Safety Precautions

In order to ensure your safety, please read the following note

1. Please read Safety Precautions before using it. Study and understand the instructions and all warning labels are necessary.

(It is recommended to be familiar with the normal operation and use of the device before using this product. Relevant information is available in this specification and local retailers)

2. Please keep this specification, and ensure that all warning labels are clear and complete .

3. This product recommends that more than two people install.

4. Please consult your doctor for advice if it is for rehabilitation training.

5. Before you start exercising. Please ensure you keep children away from this product.

6. Please check all cables regularly. And do not use if there is any wear and tear, as it may cause a certain risk to you.

7. Please maintain the extensibility of your hands, limbs, and clothes, so that you can safely use this product.

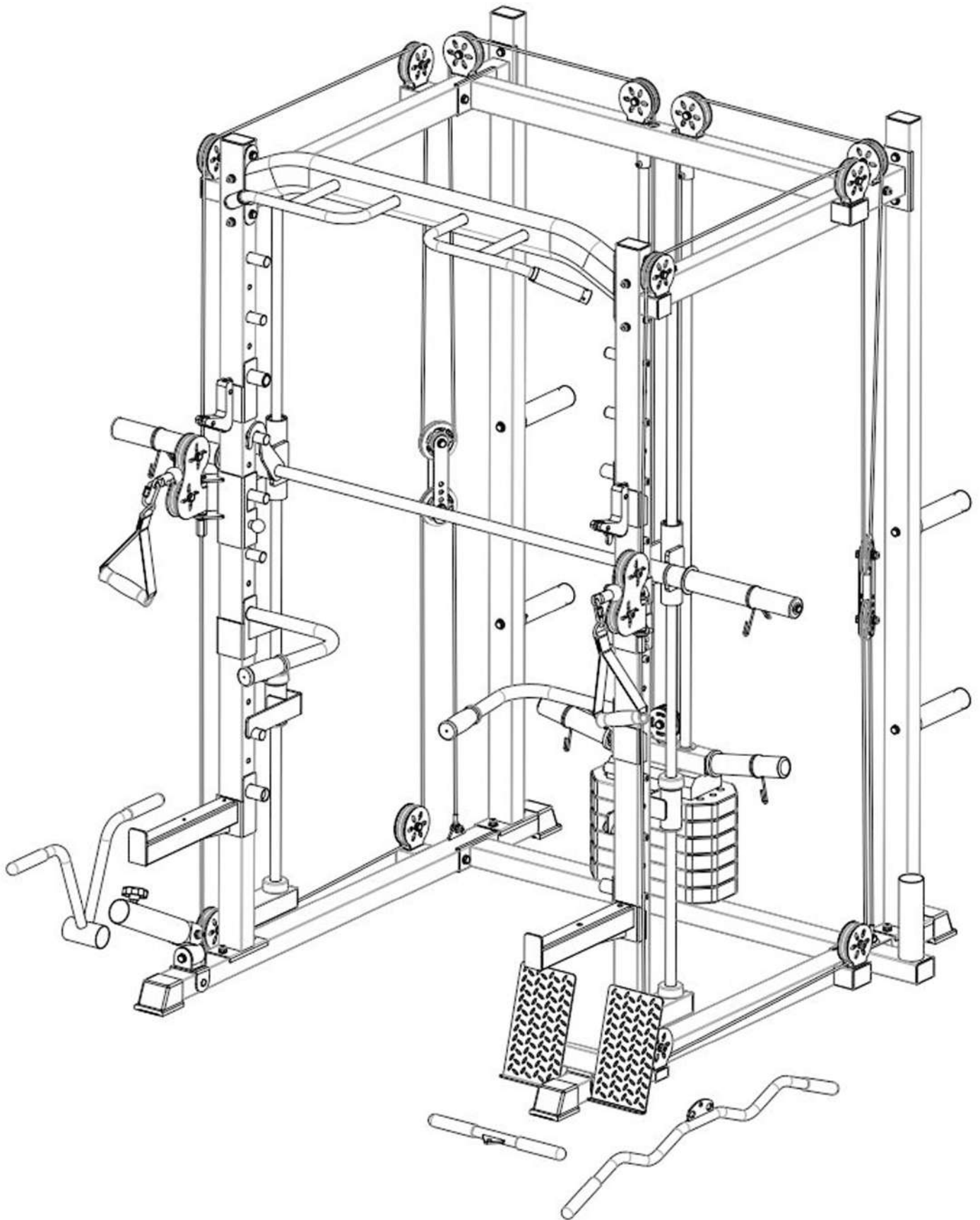
8. Please pay attention to any possible signs of machinery, including wear and tear of parts, loosening of hardware and welding cracks. If any of the above signs are found, stop using this device immediately and contact our after-sales service department .

9. You can use the internal hexagonal wrench to complete the assembly .

10. Maximum training load of this instrument: 120KG is limited to 100KG body use .

11. The final interpretation of the company is owned by the company, products are subject to change without prior notice




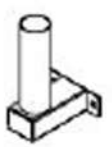































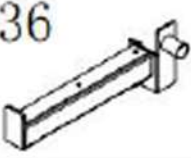









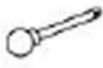




Assembly Drawing






















List of Parts

No.	Description	Qty	No.	Description	Qty
1	Welded Rear Horizontal Stick Ground Pipe	1	38	Welded Sleeve Hanging Rod	4
2	Welded Right Floor Pipe	1	39	Landmine Handle	1
3	Welded Left Floor Pipe	1	40	Straight Row Bar Attachment	1
4	Welded Barbell Rack Frame	1	41	Curl Bar Handle	1
5	Welded Left Anterior Vertical Tube 1	1	42	Counterweight Block (Large)	6
6	Welded Right Front Vertical Tube 1	1	43	Counterweight Block (Small)	1
7	Welded Rear Vertical Pipe	2	44	Slider Adjustment Sheet	4
8	Welded Upper Left Tube	1	45	Internal Casing	2
9	Welded Upper Right-side Tube	1	46	Ball Stud	2
10	25 Pipe Guide Rod	2	47	Sleeve	6
11	Welded Horizontal Pipe of Hanging Ring Sheet	1	48	Spring Collar	4
12	Selection Lever	1	49	Large Shock Pad	6
13	Small Single Pulley Frame	1	50	Weight Selection Pin	1
14	Welded Front Upper Beam Pipe	1	51	M10 Knob	1
15	Welded Upper Horizontal Pipe	1	52	Big Pulley	20
16	Left Primer	1	53	Small Pulley	1
17	Right Primer	1	54	Type C Buckle	2
18	Welded Hold Rod	1	55	Hand Pull Ring	2
19	Smith Guide Rod	2	56	Cable A	2
20	Welded Sliding Sleeve	2	57	Cable B	1
21	Left Safety Bar	1	58	25 Short Light Axis	20
22	Right Safety Bar	1	59	Bolt M10X70	20
23	Barbell Sleeve	2	60	Bolt M10X90	12
24	Welded Left Adjustment U-seat	1	61	Bolt M10X20	12
25	Welded Right Adjustment U-seat	1	62	Bolt M10X45	21
26	Welded Bird Pulley Box	2	63	Φ10 Flat Gasket	122
27	Rope Buckle Silk	2	64	M10 Nut	57
28	Welded Pattern Plate	1	65	Φ10 Flat Pad	2
29	Landmine Post	1	66	Bolt M10X16	20
30	Barrel Steering Frame	1	67	Bolt M8X16	4
31	Welded Double U-seat	1	68	Bolt M8X40	2
32	Double Bar Left Hand	1	69	Bolt M10X80	2
33	Double Bar Right Hand	1	70		
34	Left Shelf	1	71		
35	Right Shelf	1	72		
36	Left Protection Frame	1	73		
37	Right Protection Frame	1	74		

List of Parts

1 	2 	3 	4 	5 
6 	7 	8 	9 	10 
11 	12 	13 	14 	15 
16 	17 	18 	19 	20 
21 	22 	23 	24 	25 
26 	27 	28 	29 	30 
31 	32 	33 	34 	35 
36 	37 	38 	39 	40 
41 	42 	43 	44 	45 
46 	47 	48 	49 	50 

List of Parts

51 	52 	53 	54 	55 
56 	57 	58 	59 	60 
61 	62 	63 	64 	65 
66 	67 	68 	69 	70

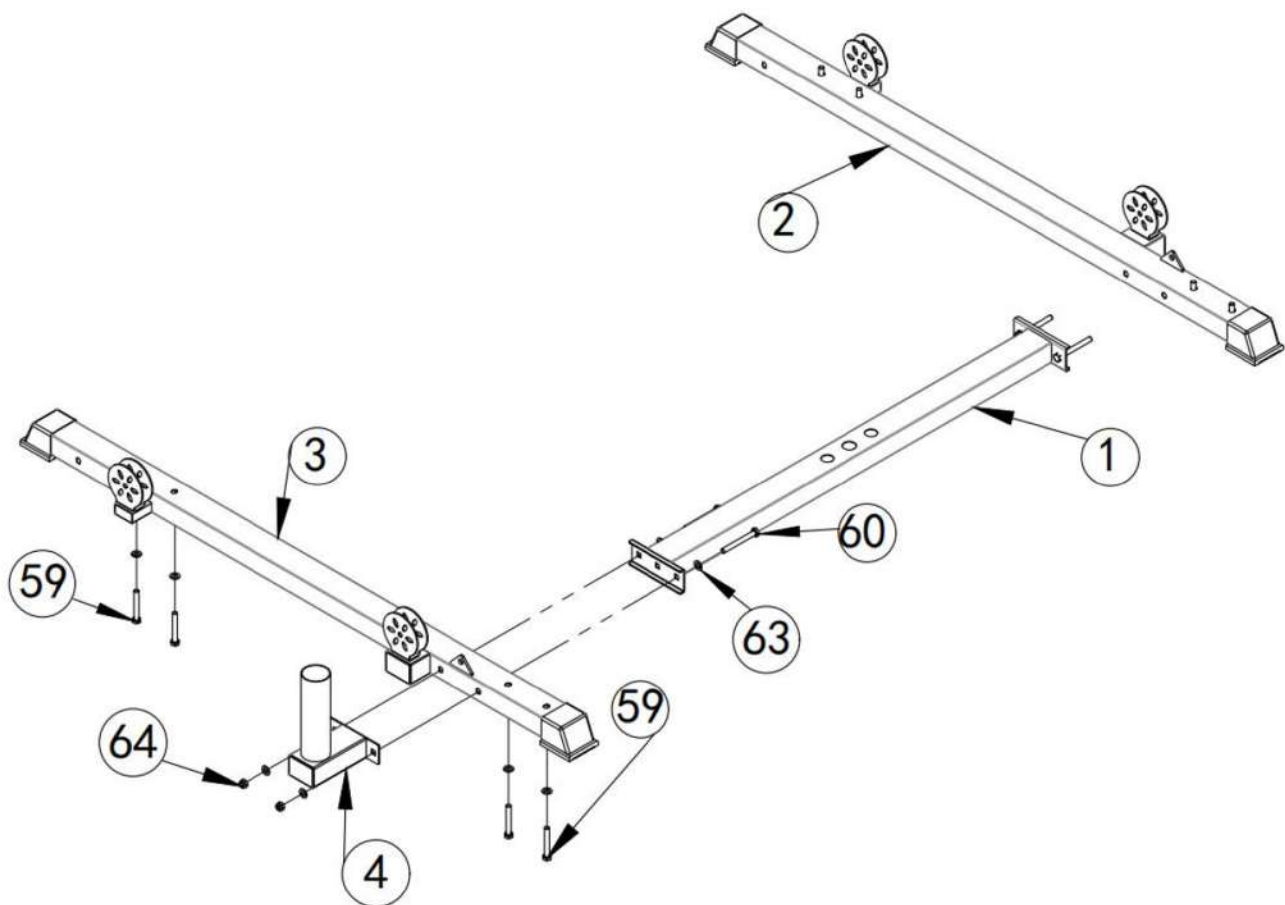
Installation Instructions



NOTE:

1. Gaskets shall be placed at both ends of the bolt (against bolt head and nut), as otherwise stated.
2. The initial assembly is to tighten all bolts and nuts by hand, and to tighten them with wrenches when fully assembled.
3. Some spare parts have been pre-assembled in the factory.
4. This product is recommended for installation by more than two people.

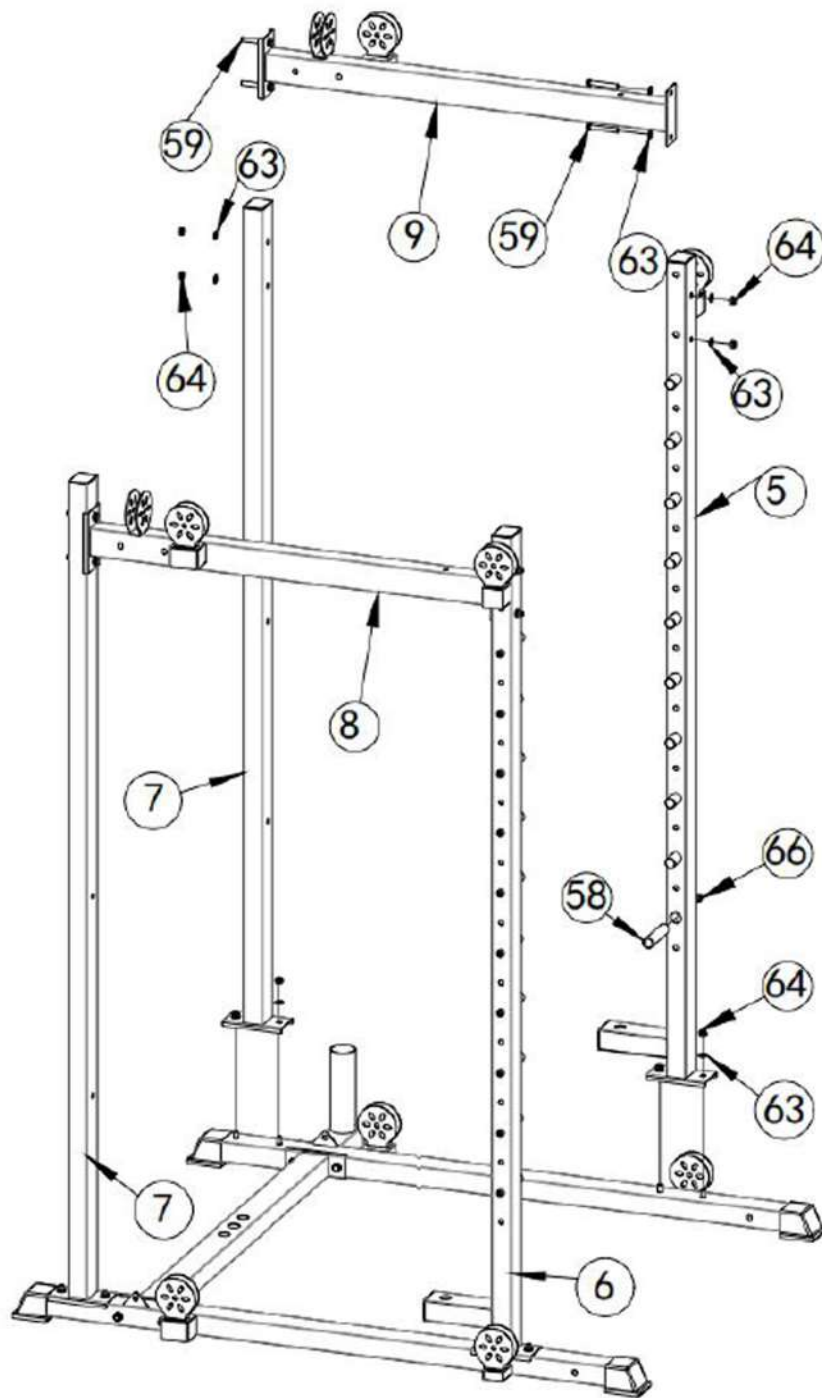
Installation Instructions



STEP 1

1. Insert the bolts (#59), flat spacers (#63) onto (#3 and #2) as shown.
2. Install (#2) to (#1) as shown and secure with bolts (#60), flat spacers (#63) and nut (#64).
3. Install (#3) to (#1) as shown, on the other side (#3) and secure with bolts (#60), flat spacers (#63) and nut (#64).

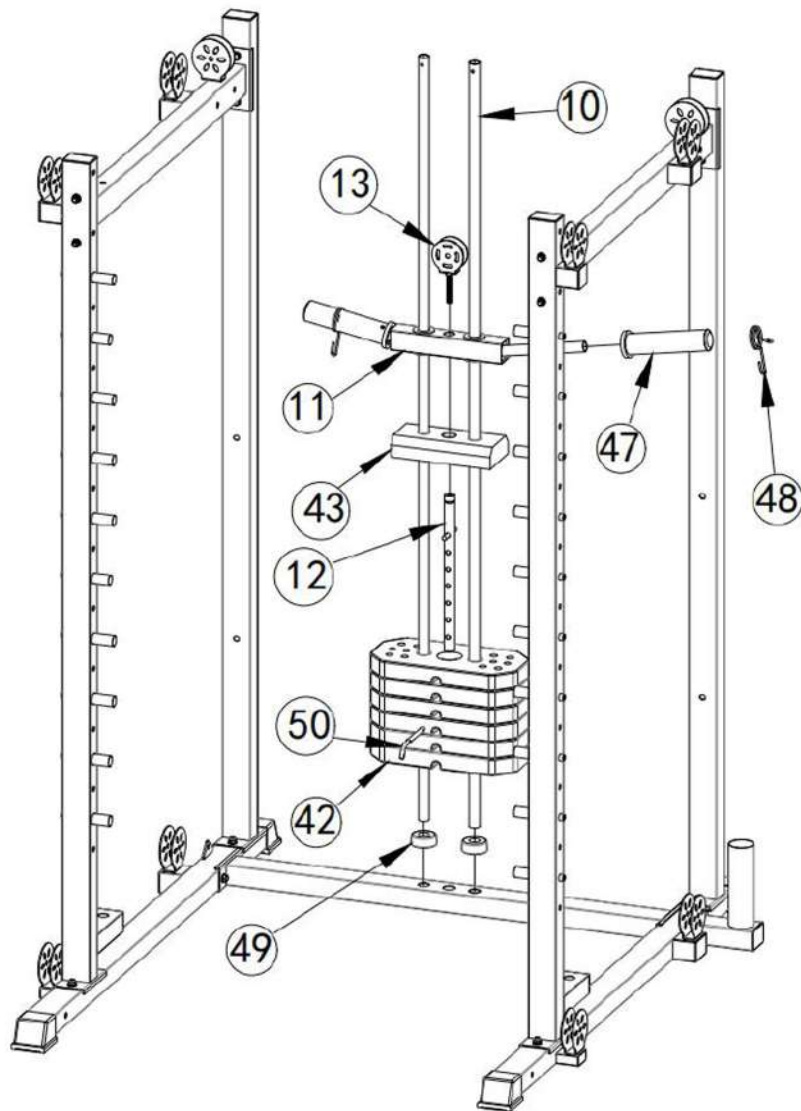
Installation Instructions



STEP 2

1. Install (#5) and (#7) to (#2) and tighten with flat spacers (#63) and nut (#64).
2. Place (#9) in the middle of (#5) and (#7) and secure with bolts (#59), flat spacers (#63), and nut (#64) as shown.
3. Attach (#58) and (#66) to (#5) as shown in Fig.
4. Repeat on the other side for part (#6), (#7) and (#8).

Installation Instructions



STEP 3

1. Install (#10) into the (#1) hole as shown, then (#49) into (#10). Add the counter block (#42) into (#10)

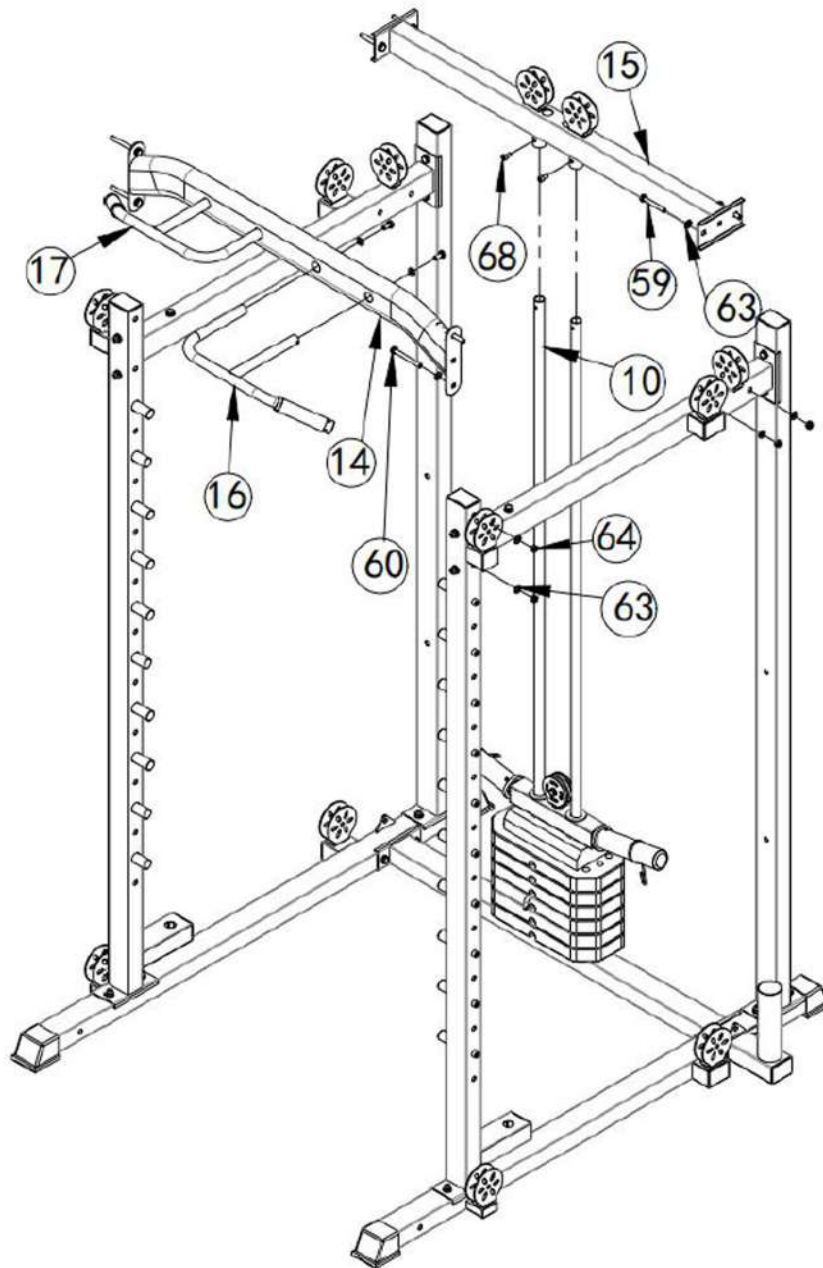
(Note that the counter block groove portion is uniformly down) and insert (#42) into the middle hole for (#12).

2. Put the counterweight block (small) (#43) into (#10) and then place (#11) in (#10). Finally add (#13) into (#12).

3. Attach (#47) to (#11) as shown. Part (# 48) goes into (# 47) when you load additional weight plates of your own (additional weight plate sold separately).

NOTE: The direction of the weight block (plug the weight pin) must go down

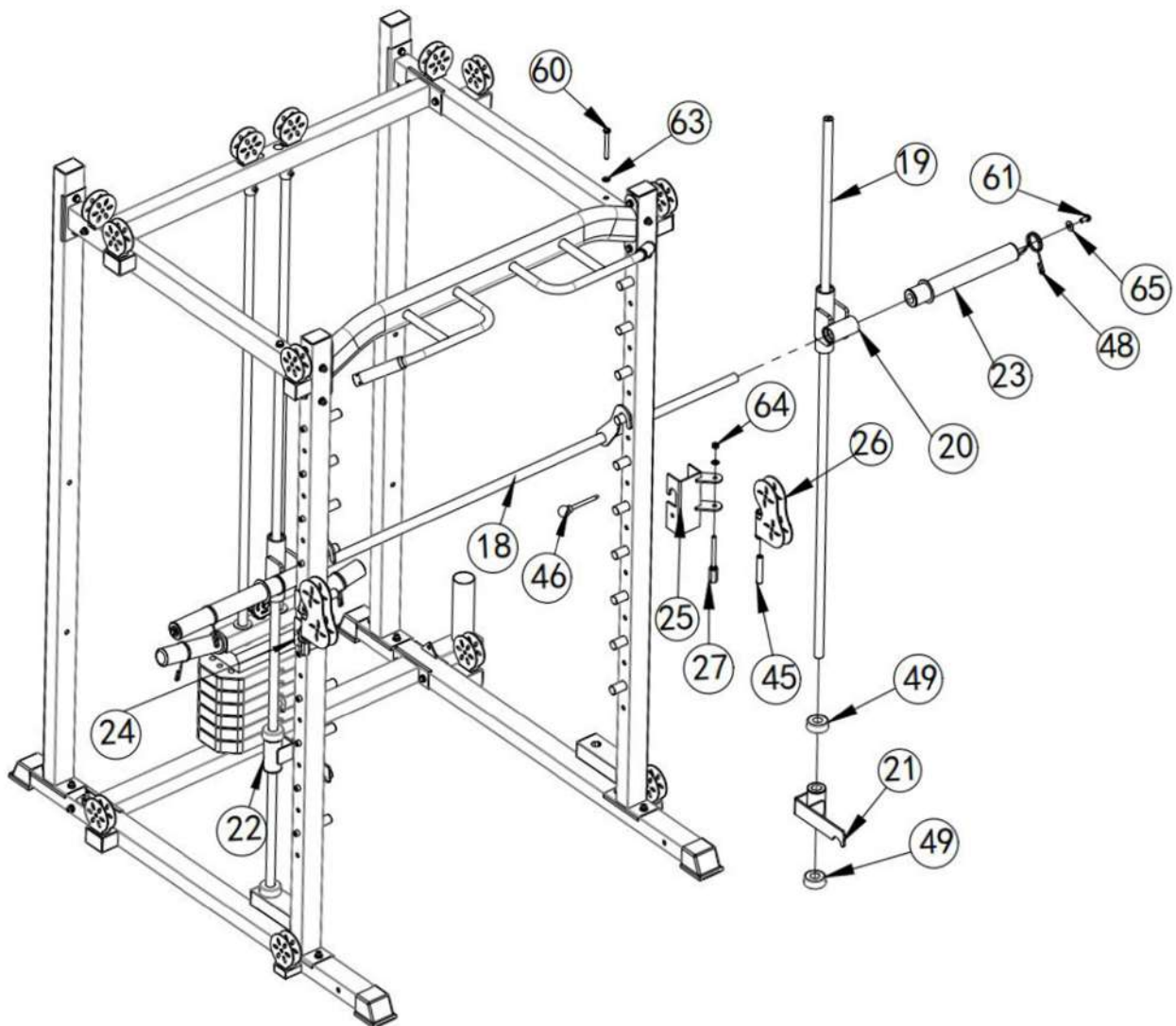
Installation Instructions



STEP 4

1. Attach (#15) onto (#10), then both sides to (#8) and (#9). Secure with bolts (#59), flat spacers (#63), nut (#64). After, secure screw (#68) into (#10).
2. Install (#16) and (#17) onto (#14) and secure with a bolt (#61) and flat spacer (#63).
3. The loaded (#14) sides were connected to (#5) and (#6), respectively, and fixed with bolts (#60), flat spacers (#63), and nut (#64).

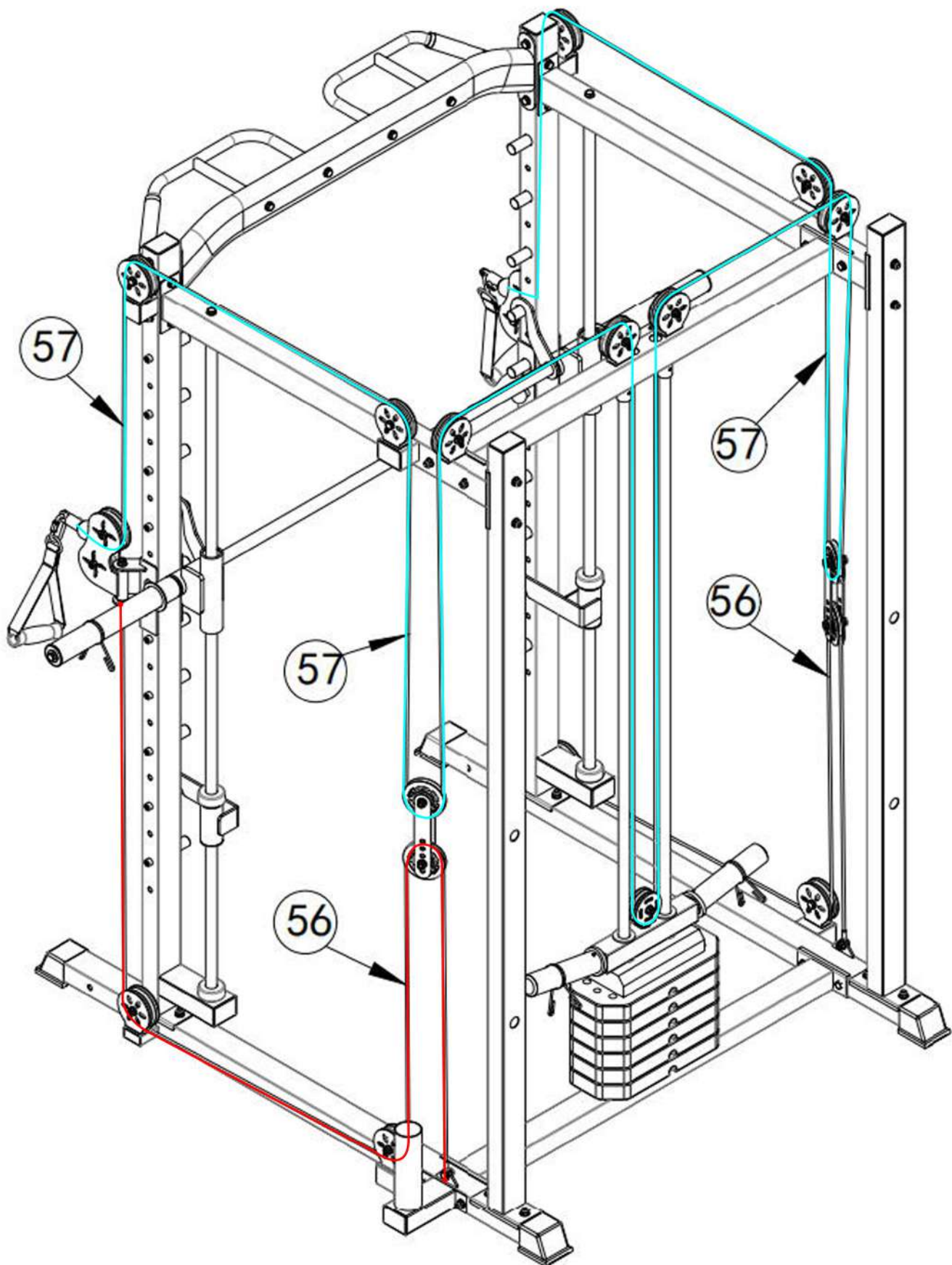
Installation Instructions



STEP 5

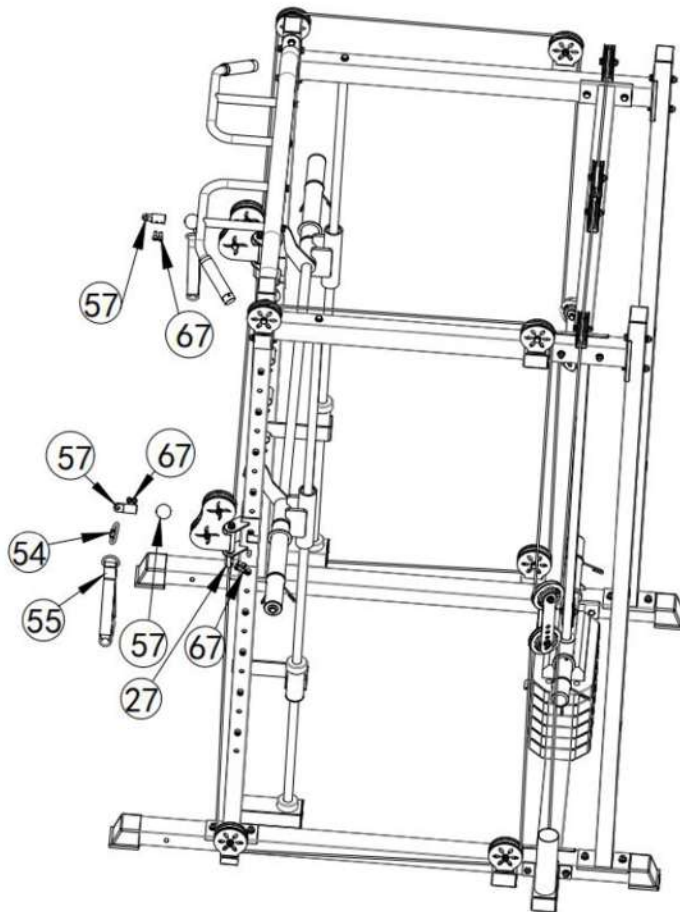
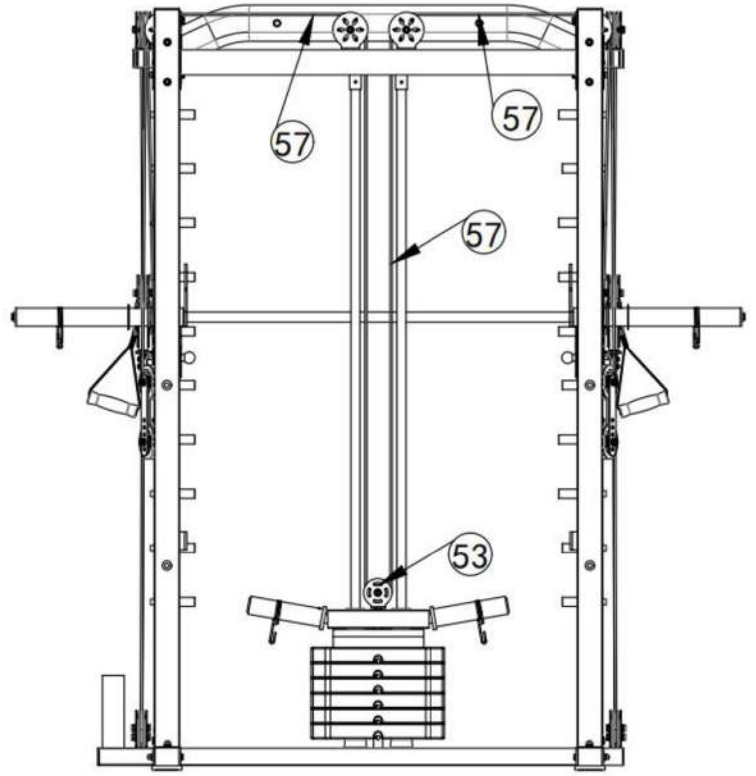
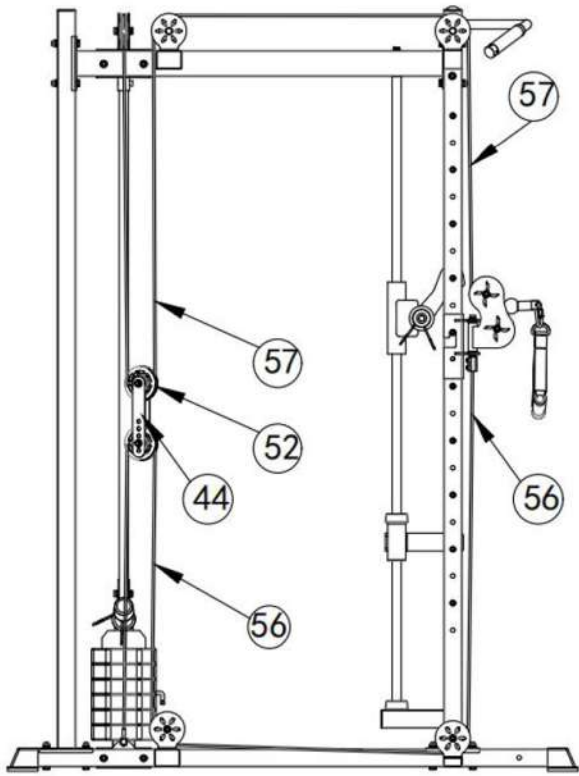
1. Attach (#49) large shock pad, (#21) left safety bar, another (#49) and (#20) welded sliding sleeve onto (#19), repeat on the other side.
2. Install (#19) and (#20) into (#18) welded hold rod. Then Insert (#19) into (#5) and (#6) holes, then secure the upper end with bolts (#60) and flat spacer (#63).
3. Secure (#23) barbell sleeve onto (#18) and secure with bolts (#61) and flat spacer (#65). Add the spring collar (#48) to (#23).
4. Attach (#25) to (#5) as shown in the figure and secure with (#46) ball stud. Place (#45) internal casing into (#26) then install (#26) to (#25) using (#27), flat spacer (#63) and nut (#64). Repeat on the other side.

Installation Instructions



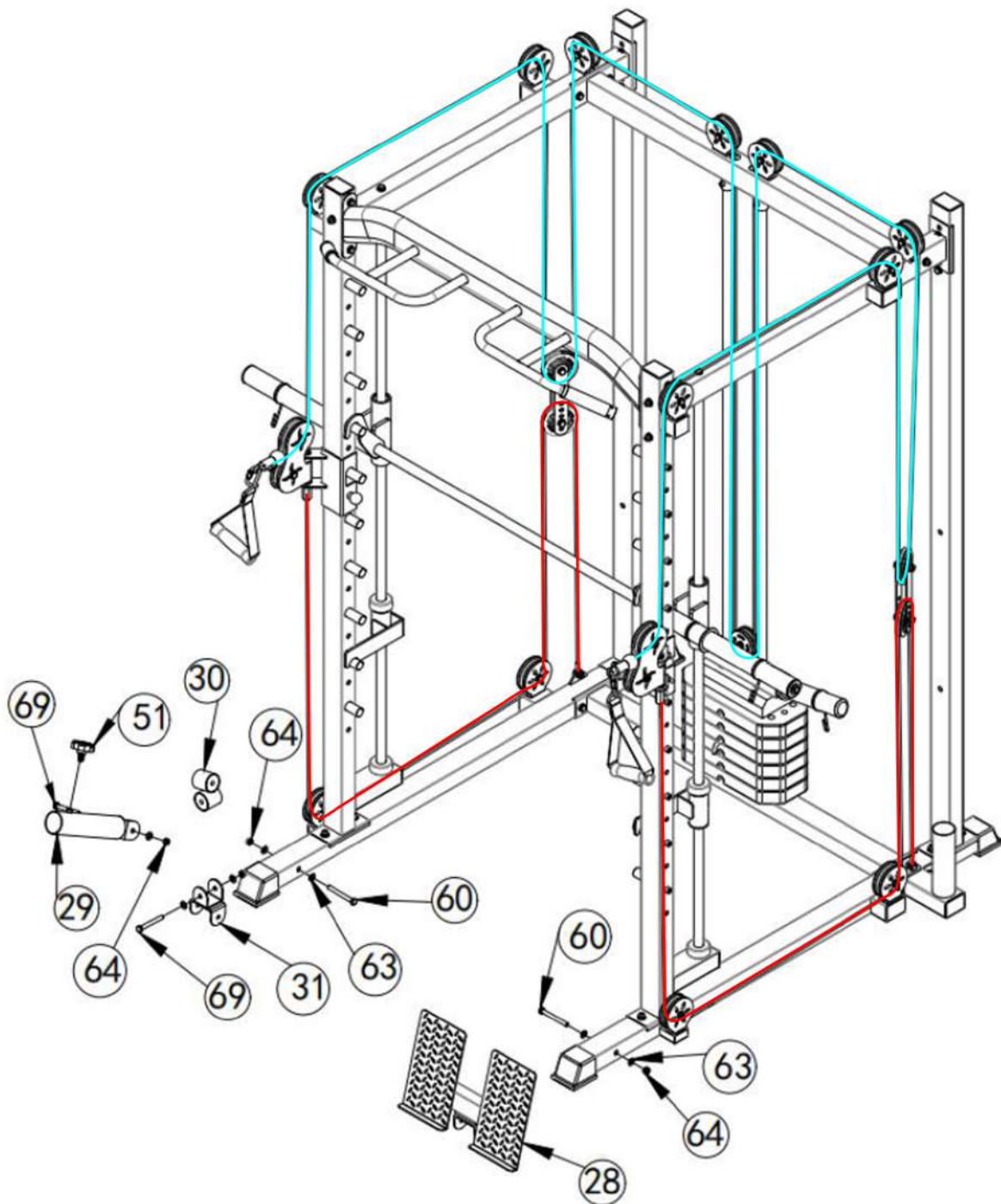
NOTE: Be sure to install the cable before installing the pulley

Installation Instructions



NOTE: Be sure to install the cable before installing the pulley

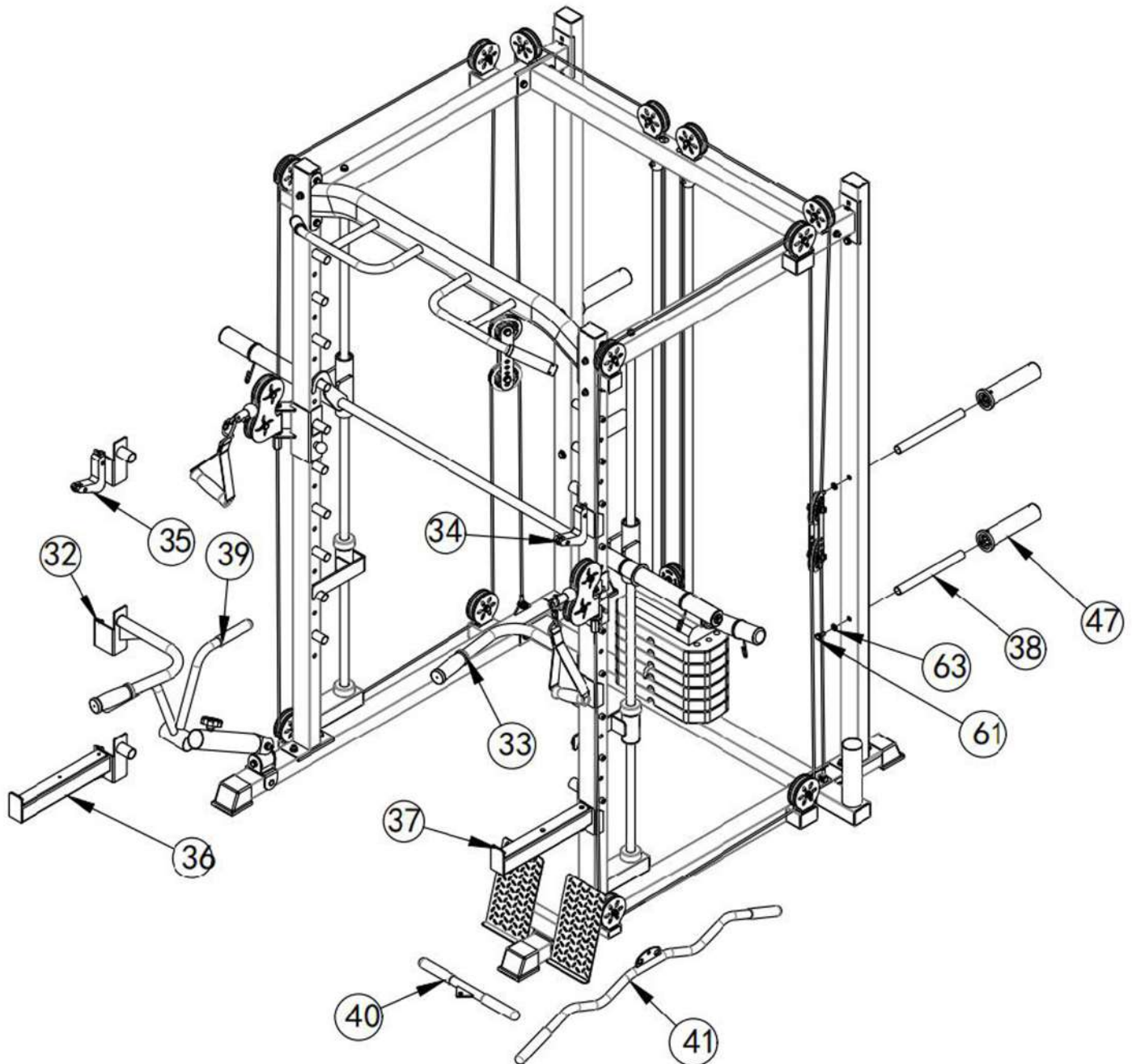
Installation Instructions



STEP 6

1. Install (#28) onto (#2) and secure with bolts (#60), flat spacers (#63) and nut (#64).
2. Install (#31) onto (#3) and secure with bolts (#60), flat gasket (#63) and nut (#64). Then secure (#30) onto (#31) and (#29) with bolts (#69), flat gasket (#63) and nut (#64). Finally, screw (#51) into (#29)

Installation Instructions



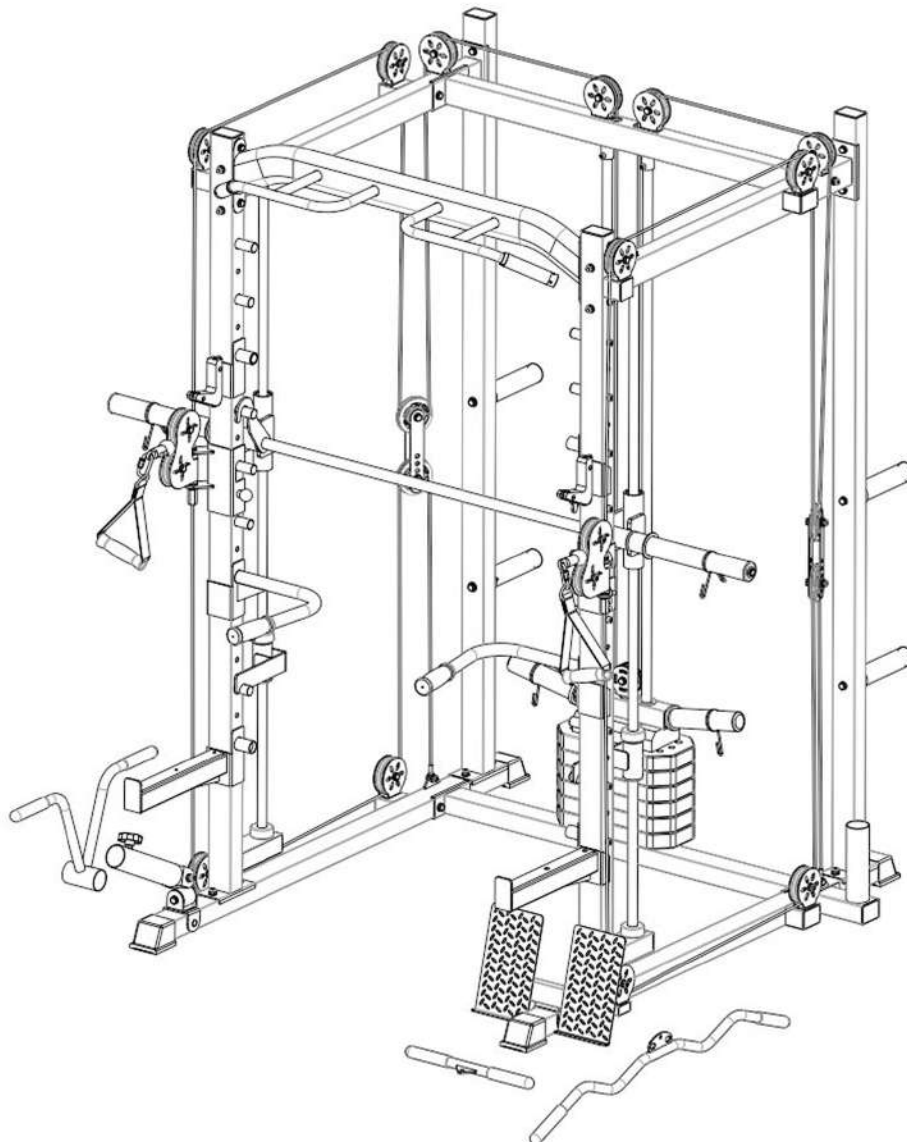
STEP 7

1. Install (#38) to (#7) as shown and secure with bolts (#61) and flat spacers (#63). Then insert (#47) onto (#38).
2. Attach (#32), (#35), and (#36) to (#6) and repeat on the other side.

Installation Instructions

Almost There!

1. Please tight all the bolts on your machine.
2. Now your machine has fully assembled.
3. Please make sure all the wheels and cables are completely settled before every use.
4. In the first stage of use, make certain adjustments to the wire rope according to the actual situation.



Maintenance

In order to prolong the service life of the instrument, the parts and components must be lubricated on time. This product has already carried on the preliminary lubrication to the instrument before leaving the factory. However, the necessary lubrication and maintenance between the guide rod and the weight plate must be carried out after a certain period of use.

Note:

1. Do not use edible oil or butter. It is recommended to use sewing oil. Therefore, pulley and wire rope should be regularly checked for signs of wear.
2. Check and adjust the tension of wire rope on a regular basis.
3. Regularly check all moving parts and make sure there are no signs of wear and damage. If there is any problem, user must stop immediately and contact our after-sales department.
4. During inspection, it is necessary to make sure that all bolts and nuts are completely fixed. If any bolts or nuts connection are loosened, please lock it in time.
5. Check for cracks in welds.
6. Failure to perform daily maintenance may result in personal injury or equipment damage.

Warranty

This machine has 3 years warranty for main frame and 1 year for parts.

No warranty is granted under any of the following circumstances:

1. Out of the warranty period.
2. Users modify the product structure by themselves.
3. Damage caused by human factors or natural disasters.