



Marking Products



Tools and Accessories

Line Master

Line Marking Machine

Features & Benefits

- Ergonomic design with built-in side line attachment
- Heavy duty steel construction
- Lightweight, removable handle for spot marking
- Easy to transport
- Includes utility tray and storage for up to 5 cans of Dy-Mark's Line Marking Paint and Turf Master Paint
- Line width adjustable between approximately 60mm and 100m



Line Master

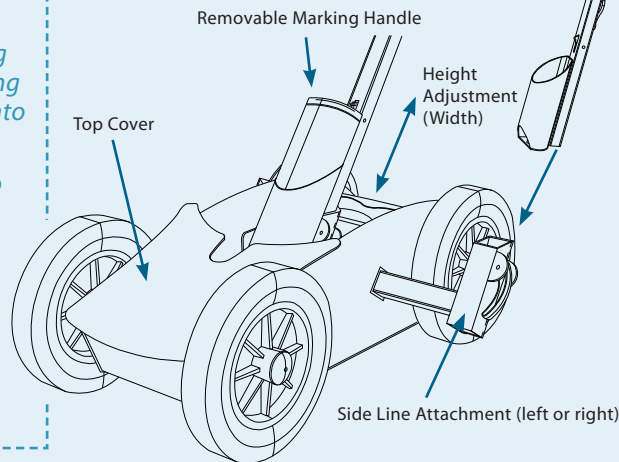
Ref. Code

Line Master Line Marking Machine

41800203

Tips:

- > Do not overtighten locking mechanism when unfolding the handle and latching into place
- > Use the masking wheels to sharpen line edges
- > To mark lines close to walls or machinery, insert the Spot Marking Handle into the Side Line Attachment and lock into place



Removable Marking Handle

Latch handle into place and tighten screws



Line Marking Paint Turf Master Paint

Dy-Mark's Line Master Machine is designed to be used with Line Marking Paint and Turf Master Paint.

NATIONAL SALES & ENQUIRIES

Ph: 1300 396 275 • Fax: 1300 360 440 • E-mail: sales@dymark.com.au • Web: www.dymark.com.au

