



Wing Matthew Hilton

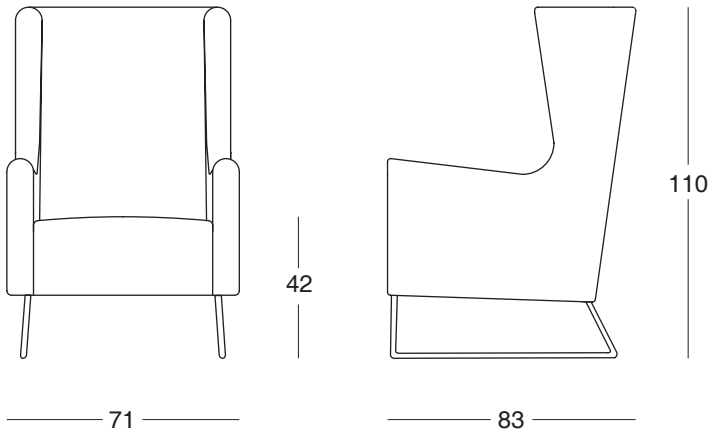
A modern interpretation of a traditional Wingback chair, the sharp defined angles and high back produce a formal look while providing extra support and comfort.

Flat fronted arms on brushed stainless steel legs, or domed arms on turned oak legs.

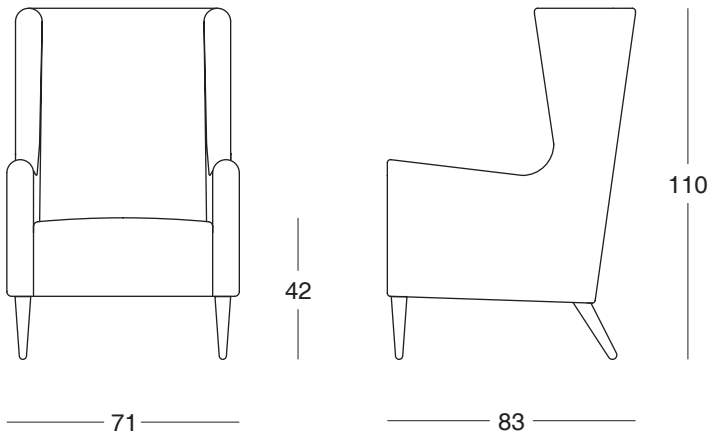
Made in Norfolk, UK.



1



2



Wing

Matthew Hilton

- 1 Armchair with brushed stainless steel legs
- 2 Armchair with turned oak legs