

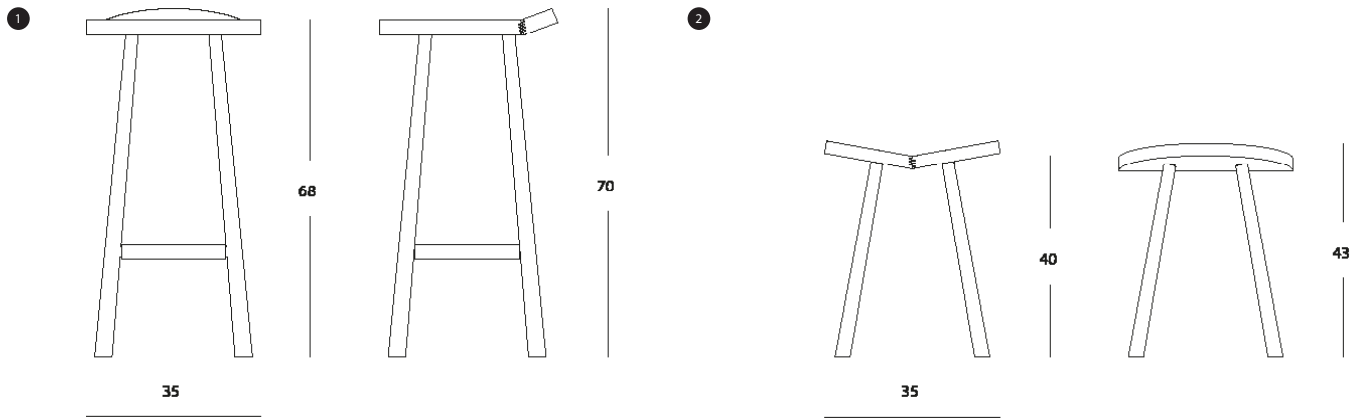


Ulrik Stool Alex Hellum

Each stool features beautifully executed joinery details that allow the seats to be constructed from two separate parts. Full of personality and poise, the designs are comfortable and playful with a wit all of their own. They both have a solid ash seat and turned ash legs with a natural oil or stained black finish.

Made in the UK.





Ulrik Stool

Alex Hellum

- 1 Bar stool
- 2 Stool