



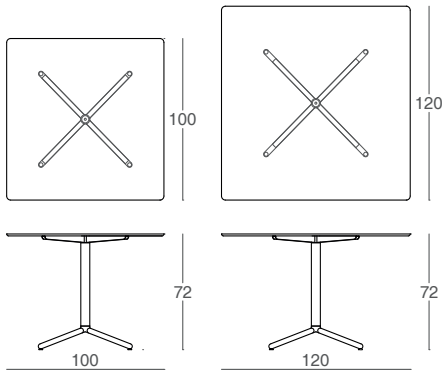
## Two Three Four Terence Woodgate

The Two three four table is designed for a wide range of environments and applications, both commercial and domestic. It is available with a square or circular top, as a table or desk system. The mild steel column bases come with three or four legs and with a black powder-coated or polished chrome finish. Available with a solid core laminate, laminate or veneered top in standard or bespoke sizes and finishes.

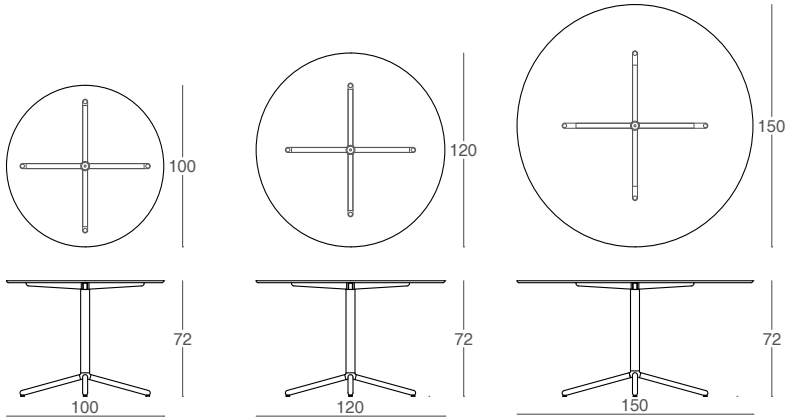
Made in the UK.



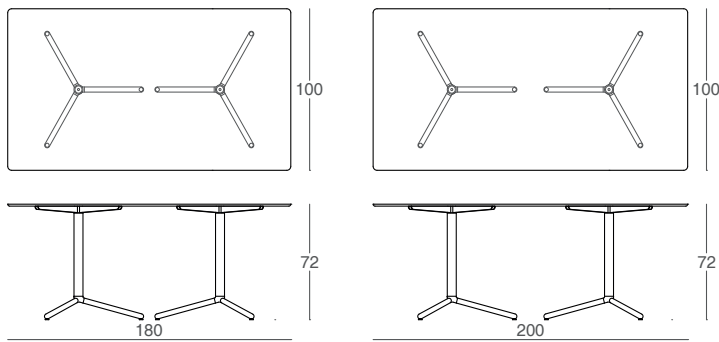
1



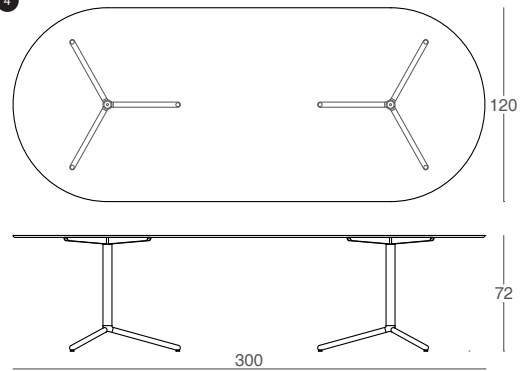
2



3



4



# Two Three Four Terence Woodgate

- 1 Square table
- 2 Round table
- 3 Rectangular table
- 4 Oval table