





# Peggy by PearsonLloyd

Peggy is a table system created for the modern workplace or home, appropriate for working, meeting, eating or socialising. It is a reassuringly durable design, made in solid wood using advanced manufacturing techniques.

Well proportioned in all its different versions, Peggy has a refined aesthetic, created by the subtle rotation of the oval leg and the elliptical support arm. A sense of visual poise is achieved by the consistent 45-degree angle of the leg to the tabletop corner.

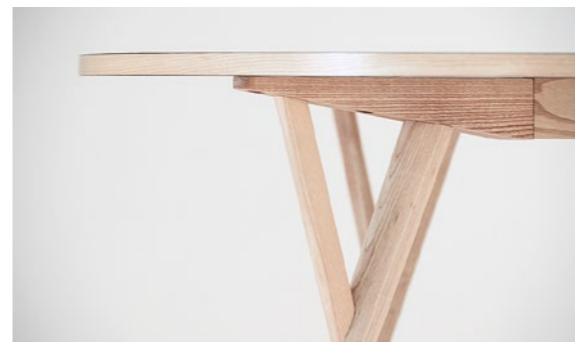
PearsonLloyd are a London based design studio founded in 1997 by Luke Pearson and Tom Lloyd. They are known for a collaborative approach, for their work on aircraft interiors and as experts in workplace design.



SCP  
135-139 Curtain Road  
London EC2A 3BX  
+44 20 7749 7399  
contracts@scp.co.uk  
www.scp.co.uk



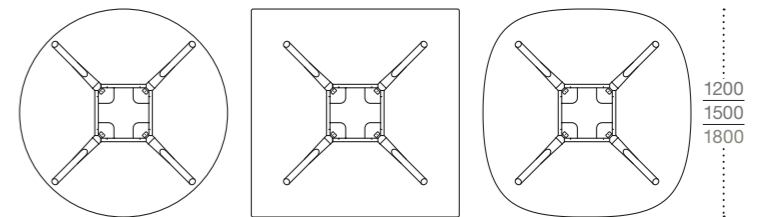




### Round | Square | Squound

A classic table suitable for meeting rooms, kitchen and dining spaces. With a round or square top, or the alternative squound shape: the square with rounded corners.

Standard and bespoke sizes available.

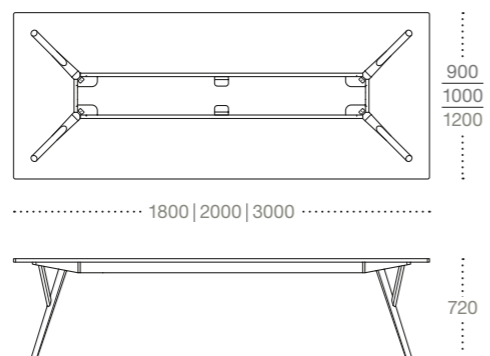




## Rectangle

For use as a working, meeting or dining table, or as a desk.

Standard and bespoke sizes available.



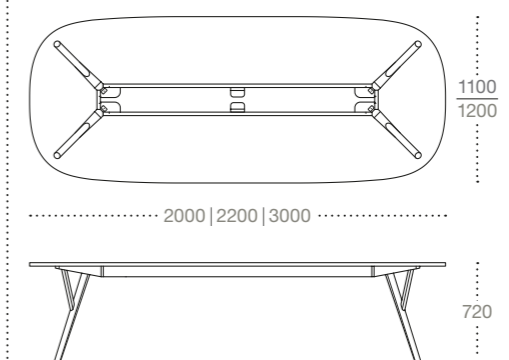




### Elliptical

A softer edged alternative to the standard rectangle, good for tight spaces, or meeting rooms where more attendees need to fit it.

Standard and bespoke sizes available.

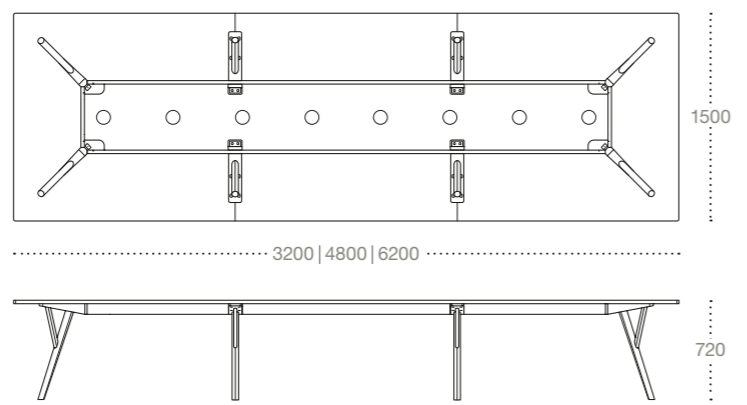




### Workbench

The workbench is ideal for multi-use spaces, where it functions effectively as a workstation, canteen table, meeting or boardroom table, or as the central hub of a modern workplace.

Deeper than other versions, it is available in standard and bespoke sizes.



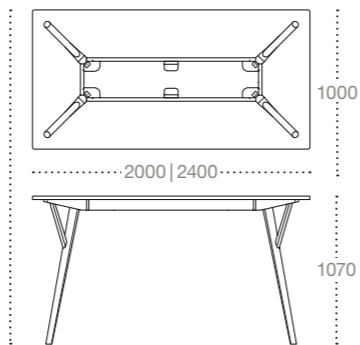




## Standing

A tall version of the table designed for working or meeting while standing or sitting on high stools. Ideal for breakout and occasional workplace settings.

Standard and bespoke sizes available.



## Power, Data & Cable Management

### Tabletop options

- Brushed stainless steel 80mm diameter round grommet
- Standard size cut out with lid
- Bespoke size cut out with lid
- Bespoke size hinged access flap

### Cable tray options

- Standard size metal cable tray in matt black
- Standard size metal cable tray with power and data module in matt black



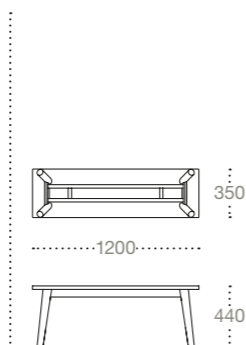
- 1 Standard cut out with lid closed
- 2 Standard cut out with lid open
- 3 Brushed stainless steel 80mm diameter round grommet



## Bench

A low bench created for use with the table system. Ideal for meeting, kitchen and canteen settings.

One size only.



## Finishes

The table base and frame is made from solid ash. The standard tabletops are 25mm thick, finished in Abet 410 snow white laminate, with solid ash lipping. Other coloured laminate, wood veneers and linoleum finishes are available. Stained table edges and bases can also be specified.



- 1 Solid ash table, 25mm tabletop in Abet 410 snow white laminate tabletop
- 2 Walnut stained solid ash table, 25mm tabletop in Abet 410 snow white laminate with walnut stained lipping.



