

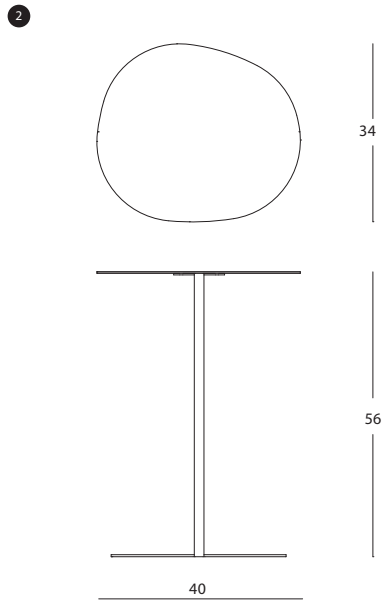
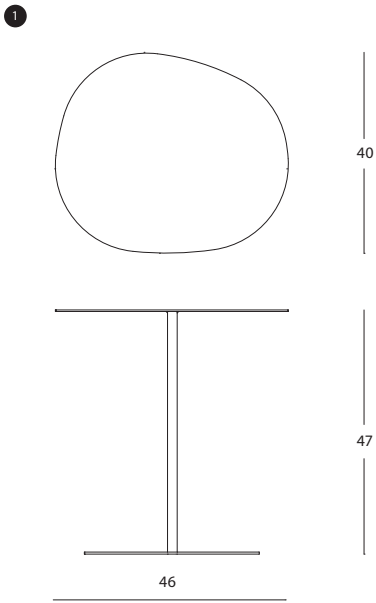


## Lily Lucy Kurrein

The Lily side table successfully blends refined construction with a lack of formal reference to shape. The table, made entirely from powder-coated steel, has an organically shaped top and base. The side table is available in three colourways: light grey, navy or white.

Made in Norfolk, UK.





---

# Lily

## Lucy Kurrein

- 1 Low side table
- 2 High side table