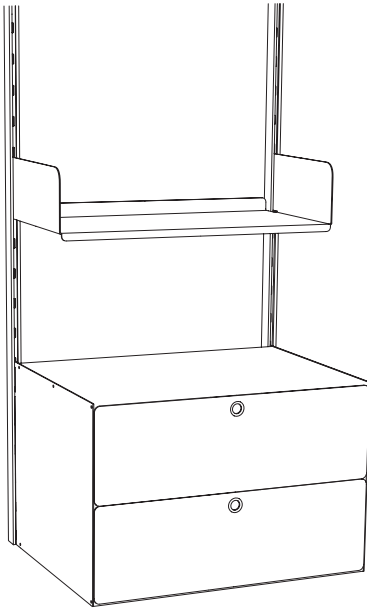


# K1 WALL SYSTEM







K1 is a modular system composed of uprights, shelves and accessories. It allows to create bookshelves, office areas, wardrobe or displays. The large range of components, available in different dimensions, and the essential style of this system allow it to fit with any type of place.



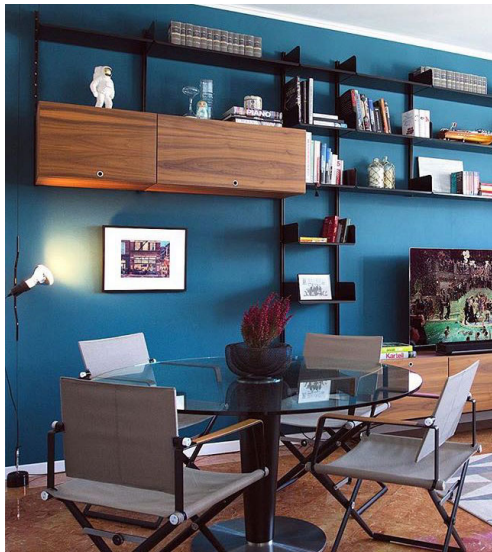
## WORKING PRINCIPLE

This product works thanks to a rack system. Only the uprights are fixed to the wall while all other elements are hooked to the uprights without screws. These elements can be eventually moved.

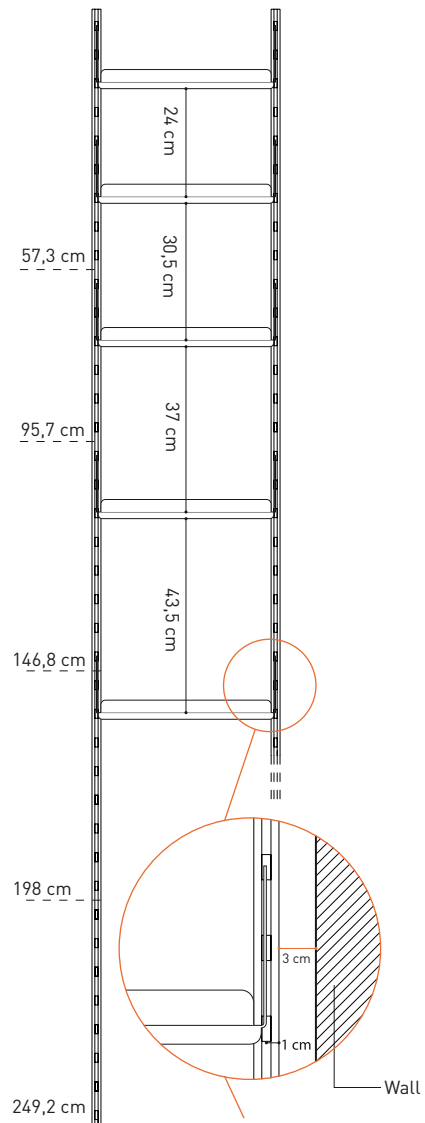
## FINISHES

-  Anodised aluminium
-  Matte white RAL 9010
-  Matte black RAL 9005
-  Oak wood
-  Walnut wood
-  Matte white lacquered RAL 9010

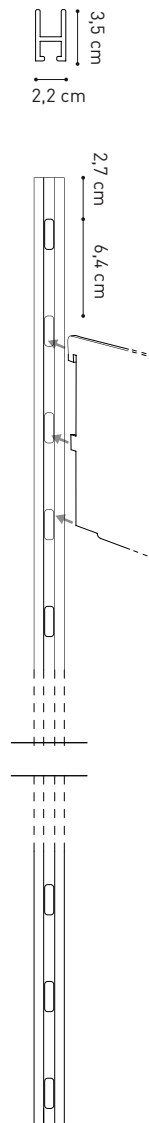
On request, components can be custom-made or coated with a special RAL colour.



## WALL UPRIGHTS



Always leave at least 3 cm between the lateral walls and the side uprights of the unit.



 COMPATIBLE WALLS

 Bricks

 CAPACITY  
per span  
**250 kg**

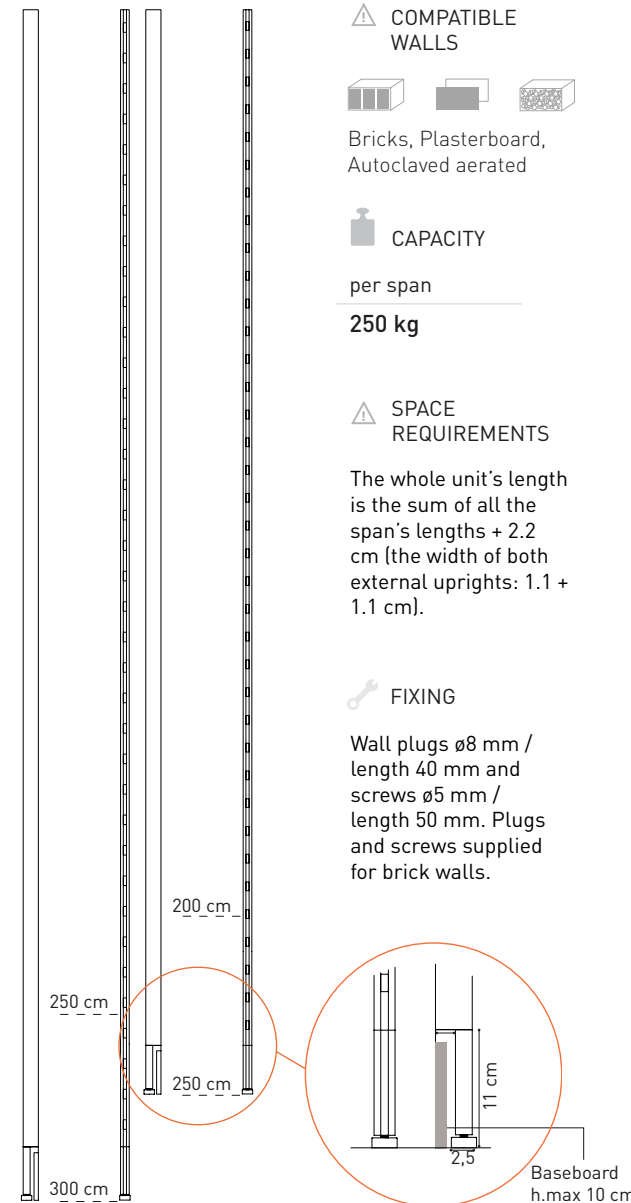
 SPACE REQUIREMENTS

The whole unit's length is the sum of all the span's lengths + 2.2 cm (the width of both external uprights: 1.1 + 1.1 cm).

 FIXING

Wall plugs  $\varnothing 8$  mm / length 40 mm and screws  $\varnothing 5$  mm / length 50 mm. Plugs and screws supplied for brick walls.

## FLOOR UPRIGHTS



 COMPATIBLE WALLS

 Bricks, Plasterboard, Autoclaved aerated

 CAPACITY  
per span  
**250 kg**

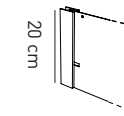
 SPACE REQUIREMENTS

The whole unit's length is the sum of all the span's lengths + 2.2 cm (the width of both external uprights: 1.1 + 1.1 cm).

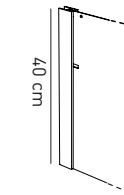
 FIXING

Wall plugs  $\varnothing 8$  mm / length 40 mm and screws  $\varnothing 5$  mm / length 50 mm. Plugs and screws supplied for brick walls.

## UPRIGHTS FOR CABINETS

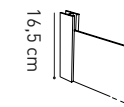


Flush cut below



Flush cut above and below.


## UPRIGHTS FOR SINGLE SHELVES



Flush cut above and below.

 COMPATIBLE WALLS

 Bricks

 CAPACITY  
per span  
**250 kg**

 SPACE REQUIREMENTS

The whole unit's length is the sum of all the span's lengths + 2.2 cm (the width of both external uprights: 1.1 + 1.1 cm).

 FIXING

These uprights can be fixed **only on bricks walls** (no plasterboard). Chemical anchor bolts are mandatory. In alternative, use the standard uprights.

# K1 ALUMINIUM SHELVES

## STANDARD FINISHES



✂ Customised matte or glossy coating (RAL code) available. Contact the technical office.

### COMPONENTS

### MEASUREMENTS

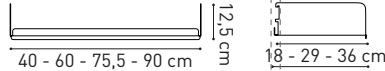
### ASSEMBLY

### CAPACITY AND ALIGNMENT

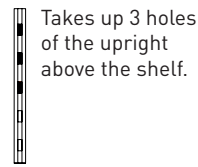
### CUSTOM-MADE

### NOTES AND TIPS

#### REGULAR SHELF



Wall to shelf distance: 1.4 cm



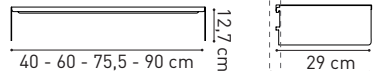
40 cm	60 cm	75 cm	90 cm
30 kg	25 kg	20 kg	15 kg

Does not align in depth with the big wood panel and with the cabinets.

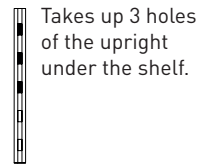
✂ Dimensions max: 90x36 cm  
To order, contact the technical office.

Crea una superficie continua affiancando più ripiani.

#### INVERTED SHELF



Wall to shelf distance: 1.4 cm

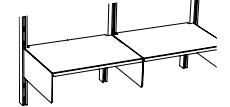


40 cm	60 cm	75 cm	90 cm
30 kg	25 kg	20 kg	15 kg

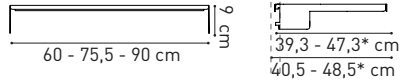
Does not align in depth with the big wood panel and with the cabinets.

✂ Dimensions max: 90x36 cm  
To order, contact the technical office.

Create a continuous surface by putting inverted shelves side

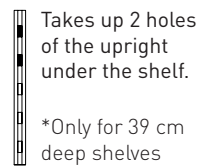


#### DEEP SHELF



Wall to shelf distance: 1.4 cmW

\*Only for 60 and 75.5 cm shelves.



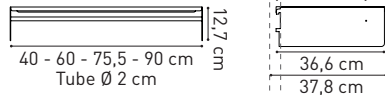
	60 cm	75 cm	90 cm*
	25 kg	20 kg	15 kg

Aligns in depth with the big wood panel and with the cabinets.

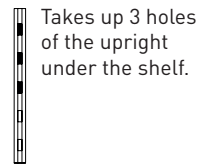
✂ Dimensions max: 90x36 cm  
To order, contact the technical office.

Create a continuous long surface or use this shelf as a desk or a TV support.

#### HANGING RAIL SHELF



Wall to shelf distance: 1.4 cm



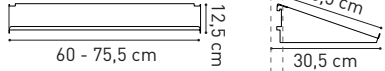
40 cm	60 cm	75 cm	90 cm
30 kg	25 kg	20 kg	15 kg

Does not align in depth with the big wood panel and with the cabinets.

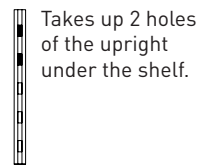
✂ Dimensions max: 90x36 cm  
To order, contact the technical office.

The tube is slightly uncentred on the shelf's side. Can be centred on request.

#### INCLINED SHELF



Wall to shelf distance: 1.4 cm

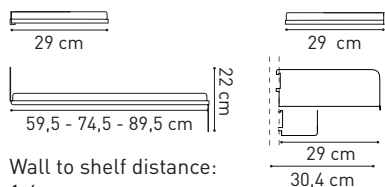
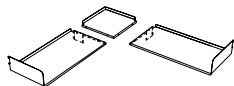


	60 cm	75 cm
	25 kg	20 kg

✂ Dimensions max: 90x36 cm  
To order, contact the technical office..

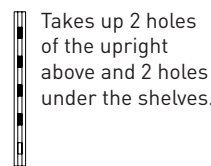
Can be used in a wardrobe as a shoes rack or as a lectern to display books in a bookshelf.

#### CORNER SHELVES



Wall to shelf distance: 1.4 cm


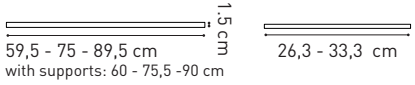
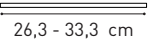


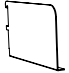
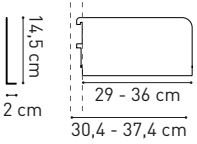

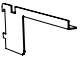
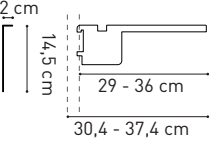


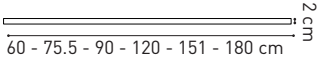
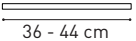


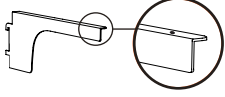
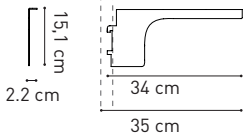

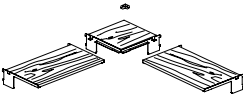
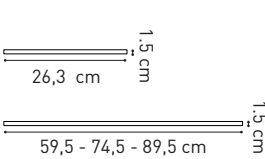
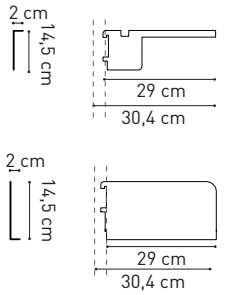


Composed of three pieces to order together



	60 cm	75 cm	90 cm
	25 kg	20 kg	15 kg

✂ The corner shelves cannot be custom-made.

The angle of the walls must be perfectly 90° and the wall should not have any irregularities.

COMPONENT	MEASUREMENTS	ASSEMBLY	CAPACITY AND ALIGNMENTS	CUSTOM-MADE	NOTES AND TIPS								
<b>SMALL WOOD PANEL</b> 	 59,5 - 75 - 89,5 cm with supports: 60 - 75,5 - 90 cm Wall to shelf distance: 3.5 cm	 26,3 - 33,3 cm	 <table border="1"> <tr> <td>60 cm</td> <td>75 cm</td> <td>90 cm</td> </tr> <tr> <td><b>15 kg</b></td> <td><b>15 kg</b></td> <td><b>15 kg</b></td> </tr> </table> <p>75 and 90 cm shelves are reinforced with an inner double aluminium sheet.</p>	60 cm	75 cm	90 cm	<b>15 kg</b>	<b>15 kg</b>	<b>15 kg</b>	 Dimensions max: 90x36 cm To order, contact the technical office.	The small wood panel must be used with a pair of lateral or inferior metal supports.		
60 cm	75 cm	90 cm											
<b>15 kg</b>	<b>15 kg</b>	<b>15 kg</b>											
<b>LATERAL METAL SUPPORTS</b> 	 14,5 cm 1 cm 29 - 36 cm 30,4 - 37,4 cm Aligns in height and depth to the regular shelf.	 Takes up 2 holes of the upright above the panel.											
<b>INFERIOR METAL SUPPORTS</b> 	 2 cm 1 cm 14,5 cm 29 - 36 cm 30,4 - 37,4 cm Aligns in height and depth to the regular shelf and in height to the cabinets.	 Takes up 2 holes of the upright under the panel.											
<b>LARGE WOOD PANEL</b> 	 60 - 75.5 - 90 - 120 - 151 - 180 cm Wall to shelf distance: 3.5 cm	 36 - 44 cm	 <table border="1"> <tr> <td>60 cm</td> <td>75 cm</td> <td>90 cm</td> </tr> <tr> <td><b>25 kg</b></td> <td><b>20 kg</b></td> <td><b>15 kg</b></td> </tr> </table> <p>Aligns in height and depth to the deep shelf and to the cabinets.</p>	60 cm	75 cm	90 cm	<b>25 kg</b>	<b>20 kg</b>	<b>15 kg</b>	 Dimensions max: 180x44 cm To order, contact the technical office.	Create a long continuous surface and use this panel as a desk or as a TV support.		
60 cm	75 cm	90 cm											
<b>25 kg</b>	<b>20 kg</b>	<b>15 kg</b>											
<b>PAIR OF METAL BRACKETS</b> 	 15,1 cm 2,2 cm 34 cm 35 cm Holes for panel fixing	 Takes up 3 holes of the upright under the panel.			The large wood panel must be used with a pair of brackets per span.								
<b>CORNER WOOD PANELS</b> 	 26,3 cm 1,5 cm 59,5 - 74,5 - 89,5 cm Wall to shelf distance: 3.5 cm	 2 cm 14,5 cm 29 cm 30,4 cm 2 cm 14,5 cm 29 cm 30,4 cm Takes up 3 holes of the upright above the panels and 2 under the panels.	 <table border="1"> <tr> <td>Angle</td> <td>60 cm</td> <td>75 cm</td> <td>90 cm</td> </tr> <tr> <td><b>18 kg</b></td> <td><b>25 kg</b></td> <td><b>20 kg</b></td> <td><b>15 kg</b></td> </tr> </table>	Angle	60 cm	75 cm	90 cm	<b>18 kg</b>	<b>25 kg</b>	<b>20 kg</b>	<b>15 kg</b>	 The corner panels cannot be custom-made.	The angle of the walls must be perfectly 90° and the wall should not have any irregularities.
Angle	60 cm	75 cm	90 cm										
<b>18 kg</b>	<b>25 kg</b>	<b>20 kg</b>	<b>15 kg</b>										
Composed of three panels to order together	Wall to shelf distance: 3.5 cm												



# K1 ALUMINIUM CABINETS

✂ Cabinets cannot be custom-made.

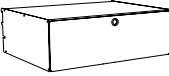
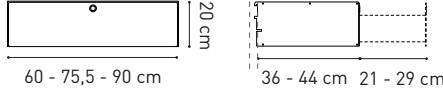
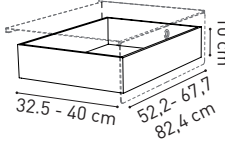
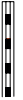


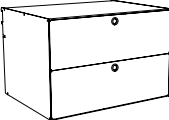
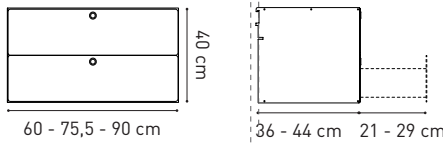
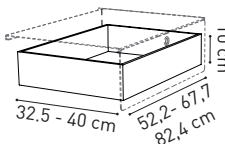



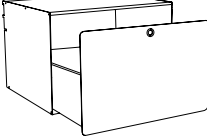
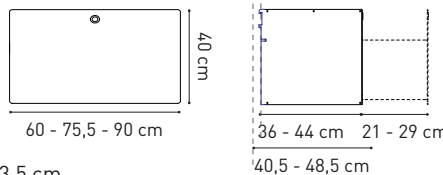
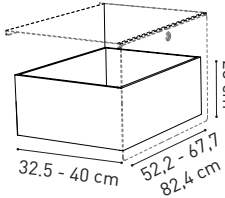



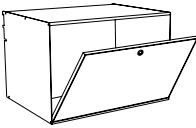
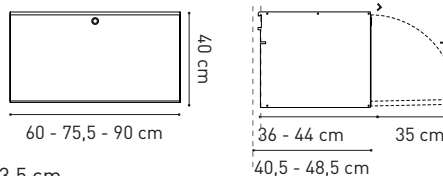
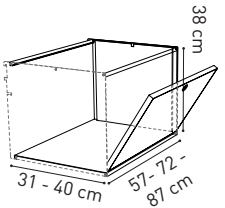



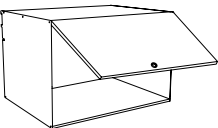
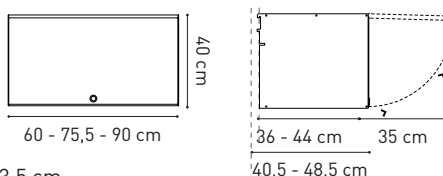
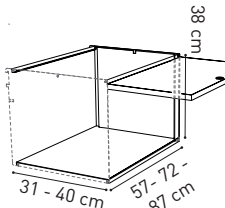



## STANDARD FINISHES

Aluminium Anodised

Matte white RAL 9010

Matte black RAL 9005

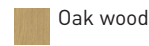
✂ Customised matte or glossy coating (RAL code) available. Contact the technical office.

COMPONENT	MEASUREMENTS	INNER DIMENSIONS	ASSEMBLY	CAPACITY	NOTES AND TIPS												
<b>SINGLE DRAWER</b> 	 60 - 75,5 - 90 cm 20 cm 36 - 44 cm 21 - 29 cm 40,5 - 48,5 cm	 32,5 - 40 cm 52,2 - 67,7 82,4 cm 10 cm	Birch plywood inner drawer.  Takes up 4 holes of the upright under the top of the cabinet.	 <table border="1"> <tr> <td>top 60 cm</td> <td>top 75 cm</td> <td>top 90 cm</td> </tr> <tr> <td><b>20 kg</b></td> <td><b>16 kg</b></td> <td><b>12 kg</b></td> </tr> <tr> <td colspan="3">inner drawer</td> </tr> <tr> <td colspan="3"><b>25 kg</b></td> </tr> </table>	top 60 cm	top 75 cm	top 90 cm	<b>20 kg</b>	<b>16 kg</b>	<b>12 kg</b>	inner drawer			<b>25 kg</b>			A cable hole placed on the back of the cabinet is available on request. 
top 60 cm	top 75 cm	top 90 cm															
<b>20 kg</b>	<b>16 kg</b>	<b>12 kg</b>															
inner drawer																	
<b>25 kg</b>																	
<b>DOUBLE DRAWER</b> 	 60 - 75,5 - 90 cm 40 cm 36 - 44 cm 21 - 29 cm 40,5 - 48,5 cm	 32,5 - 40 cm 52,2 - 67,7 82,4 cm 10 cm	Birch plywood inner drawer.  Takes up 7 holes of the upright under the top of the cabinet.	 <table border="1"> <tr> <td>top 60 cm</td> <td>top 75 cm</td> <td>top 90 cm</td> </tr> <tr> <td><b>20 kg</b></td> <td><b>16 kg</b></td> <td><b>12 kg</b></td> </tr> <tr> <td colspan="3">inner drawer</td> </tr> <tr> <td colspan="3"><b>25 kg</b></td> </tr> </table>	top 60 cm	top 75 cm	top 90 cm	<b>20 kg</b>	<b>16 kg</b>	<b>12 kg</b>	inner drawer			<b>25 kg</b>			A cable hole placed on the back of the cabinet is available on request. 
top 60 cm	top 75 cm	top 90 cm															
<b>20 kg</b>	<b>16 kg</b>	<b>12 kg</b>															
inner drawer																	
<b>25 kg</b>																	
<b>BIG DRAWER</b> 	 60 - 75,5 - 90 cm 40 cm 36 - 44 cm 21 - 29 cm 40,5 - 48,5 cm	 32,5 - 40 cm 52,2 - 67,7 82,4 cm 23 cm	Birch plywood inner drawer.  Takes up 7 holes of the upright under the top of the cabinet.	 <table border="1"> <tr> <td>top 60 cm</td> <td>top 75 cm</td> <td>top 90 cm</td> </tr> <tr> <td><b>20 kg</b></td> <td><b>16 kg</b></td> <td><b>12 kg</b></td> </tr> <tr> <td colspan="3">inner drawer</td> </tr> <tr> <td colspan="3"><b>25 kg</b></td> </tr> </table>	top 60 cm	top 75 cm	top 90 cm	<b>20 kg</b>	<b>16 kg</b>	<b>12 kg</b>	inner drawer			<b>25 kg</b>			A cable hole placed on the back of the cabinet is available on request. 
top 60 cm	top 75 cm	top 90 cm															
<b>20 kg</b>	<b>16 kg</b>	<b>12 kg</b>															
inner drawer																	
<b>25 kg</b>																	
<b>UNIT WITH TOP DOWN DOOR</b> 	 60 - 75,5 - 90 cm 40 cm 36 - 44 cm 35 cm 40,5 - 48,5 cm	 31 - 40 cm 57 - 72 - 87 cm 38 cm	 Takes up 7 holes of the upright under the top of the cabinet.	 <table border="1"> <tr> <td>60 cm</td> <td>75 cm</td> <td>90 cm</td> </tr> <tr> <td><b>20 kg</b></td> <td><b>16 kg</b></td> <td><b>12 kg</b></td> </tr> </table>	60 cm	75 cm	90 cm	<b>20 kg</b>	<b>16 kg</b>	<b>12 kg</b>	A cable hole placed on the back of the cabinet is available on request. 						
60 cm	75 cm	90 cm															
<b>20 kg</b>	<b>16 kg</b>	<b>12 kg</b>															
<b>UNIT WITH BOTTOM UP DOOR</b> 	 60 - 75,5 - 90 cm 40 cm 36 - 44 cm 35 cm 40,5 - 48,5 cm	 31 - 40 cm 57 - 72 - 87 cm 38 cm	 Takes up 7 holes of the upright under the top of the cabinet.	 <table border="1"> <tr> <td>60 cm</td> <td>75 cm</td> <td>90 cm</td> </tr> <tr> <td><b>20 kg</b></td> <td><b>16 kg</b></td> <td><b>12 kg</b></td> </tr> </table>	60 cm	75 cm	90 cm	<b>20 kg</b>	<b>16 kg</b>	<b>12 kg</b>	A cable hole placed on the back of the cabinet is available on request. 						
60 cm	75 cm	90 cm															
<b>20 kg</b>	<b>16 kg</b>	<b>12 kg</b>															

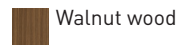
# K1 WOOD CABINETS

✂ Cabinets cannot be custom-made.

STANDARD FINISHES



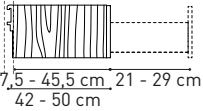
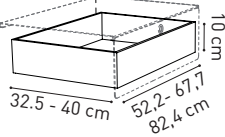


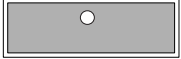
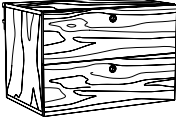

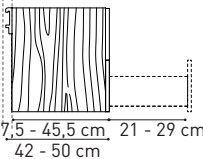
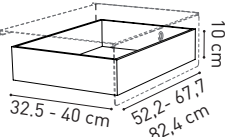


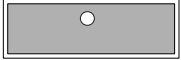
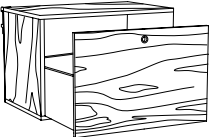

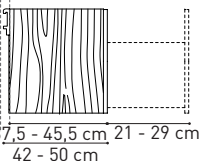
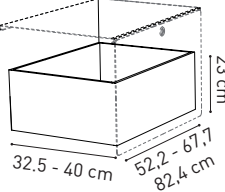


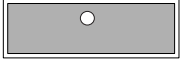
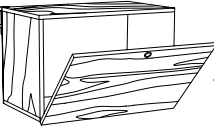

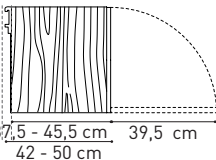
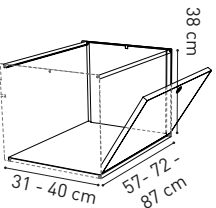




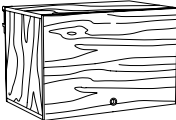

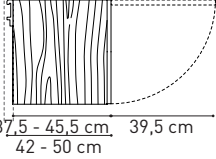
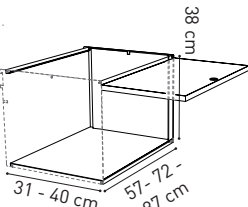






Oak wood



Walnut wood

✂ Other wood finishes are not available.

COMPONENT	MEASUREMENTS	INNER DIMENSIONS	ASSEMBLY	CAPACITY	NOTES AND TIPS												
<b>SINGLE DRAWER</b> 	 60 - 75,5 - 90 cm  37,5 - 45,5 cm, 21 - 29 cm 42 - 50 cm	 32.5 - 40 cm, 52.2 - 67.7, 82.4 cm 10 cm	 Takes up 4 holes of the upright under the top of the cabinet.	 <table border="1"> <tr> <td>top 60 cm</td> <td>top 75 cm</td> <td>top 90 cm</td> </tr> <tr> <td><b>13 kg</b></td> <td><b>11 kg</b></td> <td><b>9 kg</b></td> </tr> <tr> <td colspan="3">inner drawer</td> </tr> <tr> <td colspan="3"><b>25 kg</b></td> </tr> </table>	top 60 cm	top 75 cm	top 90 cm	<b>13 kg</b>	<b>11 kg</b>	<b>9 kg</b>	inner drawer			<b>25 kg</b>			A cable hole placed on the back of the cabinet is available on request. 
top 60 cm	top 75 cm	top 90 cm															
<b>13 kg</b>	<b>11 kg</b>	<b>9 kg</b>															
inner drawer																	
<b>25 kg</b>																	
<b>DOUBLE DRAWER</b> 	 60 - 75,5 - 90 cm  37,5 - 45,5 cm, 21 - 29 cm 42 - 50 cm	 32.5 - 40 cm, 52.2 - 67.7, 82.4 cm 10 cm Birch plywood inner drawer.	 Takes up 7 holes of the upright under the top of the cabinet.	 <table border="1"> <tr> <td>top 60 cm</td> <td>top 75 cm</td> <td>top 90 cm</td> </tr> <tr> <td><b>13 kg</b></td> <td><b>11 kg</b></td> <td><b>9 kg</b></td> </tr> <tr> <td colspan="3">inner drawer</td> </tr> <tr> <td colspan="3"><b>25 kg</b></td> </tr> </table>	top 60 cm	top 75 cm	top 90 cm	<b>13 kg</b>	<b>11 kg</b>	<b>9 kg</b>	inner drawer			<b>25 kg</b>			A cable hole placed on the back of the cabinet is available on request. 
top 60 cm	top 75 cm	top 90 cm															
<b>13 kg</b>	<b>11 kg</b>	<b>9 kg</b>															
inner drawer																	
<b>25 kg</b>																	
<b>BIG DRAWER</b> 	 60 - 75,5 - 90 cm  37,5 - 45,5 cm, 21 - 29 cm 42 - 50 cm	 32.5 - 40 cm, 52.2 - 67.7, 82.4 cm 23 cm Birch plywood inner drawer.	 Takes up 7 holes of the upright under the top of the cabinet.	 <table border="1"> <tr> <td>top 60 cm</td> <td>top 75 cm</td> <td>top 90 cm</td> </tr> <tr> <td><b>13 kg</b></td> <td><b>11 kg</b></td> <td><b>9 kg</b></td> </tr> <tr> <td colspan="3">inner drawer</td> </tr> <tr> <td colspan="3"><b>25 kg</b></td> </tr> </table>	top 60 cm	top 75 cm	top 90 cm	<b>13 kg</b>	<b>11 kg</b>	<b>9 kg</b>	inner drawer			<b>25 kg</b>			A cable hole placed on the back of the cabinet is available on request. 
top 60 cm	top 75 cm	top 90 cm															
<b>13 kg</b>	<b>11 kg</b>	<b>9 kg</b>															
inner drawer																	
<b>25 kg</b>																	
<b>UNIT WITH TOP DOWN DOOR</b> 	 60 - 75,5 - 90 cm  37,5 - 45,5 cm, 39,5 cm 42 - 50 cm	 31 - 40 cm, 57 - 72 - 87 cm 38 cm	 Takes up 7 holes of the upright under the top of the cabinet.	 <table border="1"> <tr> <td>60 cm</td> <td>75 cm</td> <td>90 cm</td> </tr> <tr> <td><b>13 kg</b></td> <td><b>11 kg</b></td> <td><b>9 kg</b></td> </tr> </table>  A vertical or a horizontal divider can be added.	60 cm	75 cm	90 cm	<b>13 kg</b>	<b>11 kg</b>	<b>9 kg</b>	A cable hole placed on the back of the cabinet is available on request. 						
60 cm	75 cm	90 cm															
<b>13 kg</b>	<b>11 kg</b>	<b>9 kg</b>															
<b>UNIT WITH A BOTTOM UP DOOR</b> 	 60 - 75,5 - 90 cm  37,5 - 45,5 cm, 39,5 cm 42 - 50 cm	 31 - 40 cm, 57 - 72 - 87 cm 38 cm	 Takes up 7 holes of the upright under the top of the cabinet.	 <table border="1"> <tr> <td>60 cm</td> <td>75 cm</td> <td>90 cm</td> </tr> <tr> <td><b>13 kg</b></td> <td><b>11 kg</b></td> <td><b>9 kg</b></td> </tr> </table>  A vertical or a horizontal divider can be added.	60 cm	75 cm	90 cm	<b>13 kg</b>	<b>11 kg</b>	<b>9 kg</b>	A cable hole placed on the back of the cabinet is available on request. 						
60 cm	75 cm	90 cm															
<b>13 kg</b>	<b>11 kg</b>	<b>9 kg</b>															

Wall to cabinet distance: 3,5 cm

Wall to cabinet distance: 3,5 cm

Wall to cabinet distance: 3,5 cm

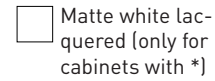
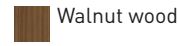
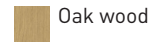
Wall to cabinet distance: 3,5 cm

Wall to cabinet distance: 3,5 cm

# K1 WOOD CABINETS

✂ Cabinets cannot be custom-made.

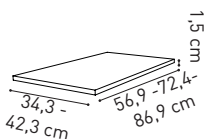
STANDARD FINISH



✂ Other wood finishes are not available.

COMPONENT	MEASUREMENTS	INNER DIMENSIONS	ASSEMBLY	CAPACITY	NOTES AND TIPS						
<b>STORAGE UNIT h. 20 cm*</b> 	20 cm 60 - 75,5 - 90 cm 36 - 44 cm 40,5 - 48,5 cm	17 cm 34,5 - 42,5 cm 57 - 72,5 - 87 cm	Takes up 4 holes of the upright under the top of the cabinet.	<table border="1"> <tr> <td>60 cm</td> <td>75 cm</td> <td>90 cm</td> </tr> <tr> <td><b>13 kg</b></td> <td><b>11 kg</b></td> <td><b>9 kg</b></td> </tr> </table>	60 cm	75 cm	90 cm	<b>13 kg</b>	<b>11 kg</b>	<b>9 kg</b>	A cable hole placed on the back of the cabinet is available on request. 
60 cm	75 cm	90 cm									
<b>13 kg</b>	<b>11 kg</b>	<b>9 kg</b>									
<b>STORAGE UNIT h. 40 cm*</b> 	40 cm 60 - 75,5 - 90 cm 36 - 44 cm 40,5 - 48,5 cm	37 cm 34,5 - 42,5 cm 57 - 72,5 - 87 cm	Takes up 7 holes of the upright under the top of the cabinet.	<table border="1"> <tr> <td>top 60 cm</td> <td>top 75 cm</td> <td>top 90 cm</td> </tr> <tr> <td><b>13 kg</b></td> <td><b>11 kg</b></td> <td><b>9 kg</b></td> </tr> </table> A vertical or a horizontal divider can be added.	top 60 cm	top 75 cm	top 90 cm	<b>13 kg</b>	<b>11 kg</b>	<b>9 kg</b>	A cable hole placed on the back of the cabinet is available on request. 
top 60 cm	top 75 cm	top 90 cm									
<b>13 kg</b>	<b>11 kg</b>	<b>9 kg</b>									
<b>STORAGE UNIT WITH A SINGLE DOOR</b> 	40 cm 60 cm 37,5 - 45,5 cm 42 - 50 cm	1,5 cm 37 cm 34,5 - 42,5 cm 57 cm	Takes up 7 holes of the upright under the top of the cabinet.	<table border="1"> <tr> <td>top 60 cm</td> <td>top 75 cm</td> <td>top 90 cm</td> </tr> <tr> <td><b>20 kg</b></td> <td><b>16 kg</b></td> <td><b>12 kg</b></td> </tr> </table> A vertical or a horizontal divider can be added.	top 60 cm	top 75 cm	top 90 cm	<b>20 kg</b>	<b>16 kg</b>	<b>12 kg</b>	A cable hole placed on the back of the cabinet is available on request. 
top 60 cm	top 75 cm	top 90 cm									
<b>20 kg</b>	<b>16 kg</b>	<b>12 kg</b>									
<b>STORAGE UNIT WITH A DOUBLE DOOR</b> 	40 cm 75,5 - 90 cm 37,5 - 45,5 cm 42 - 50 cm	1,5 cm 37 cm 34,5 - 42,5 cm 72,5 - 87 cm	Takes up 7 holes of the upright under the top of the cabinet.	<table border="1"> <tr> <td>60 cm</td> <td>75 cm</td> <td>90 cm</td> </tr> <tr> <td><b>20 kg</b></td> <td><b>16 kg</b></td> <td><b>12 kg</b></td> </tr> </table> A vertical or a horizontal divider can be added.	60 cm	75 cm	90 cm	<b>20 kg</b>	<b>16 kg</b>	<b>12 kg</b>	A cable hole placed on the back of the cabinet is available on request. 
60 cm	75 cm	90 cm									
<b>20 kg</b>	<b>16 kg</b>	<b>12 kg</b>									

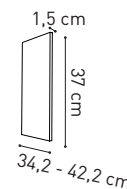
## HORIZONTAL DIVIDER



	60 cm	75 cm	90 cm
	<b>20 kg</b>	<b>16 kg</b>	<b>12 kg</b>

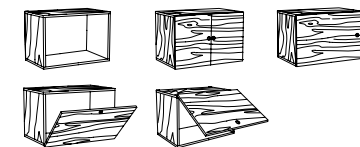
Can be added afterwards and placed at 5 different heights.

## VERTICAL DIVIDER



Cannot be added afterwards.

Dividers compatible with the cabinets:

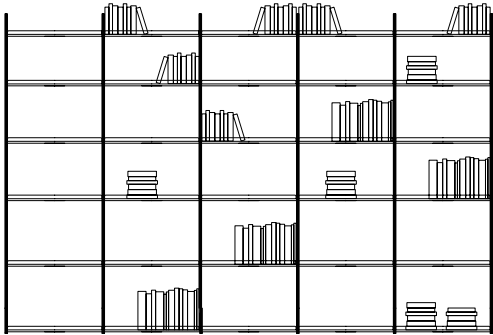


# K1 COMPOSITIONS EXAMPLES

Since the K1 is a modular system, each composition is unique and designed according to your needs.

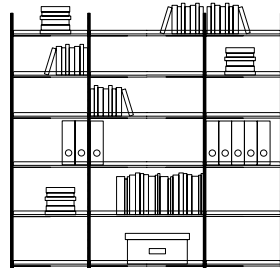
## BOOKSHELVES | LARGE UNIT

h. 146 cm | l. 379.5 cm



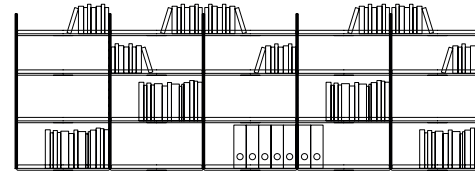
## BOOKSHELVES | MEDIUM UNIT

h. 198 cm | l. 212 cm



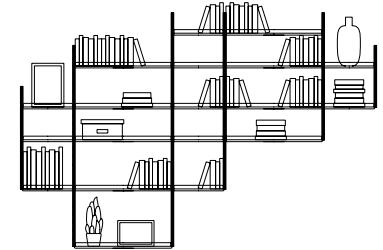
## BOOKSHELVES | STRIP UNIT

h. 125 cm | l. 379.5 cm



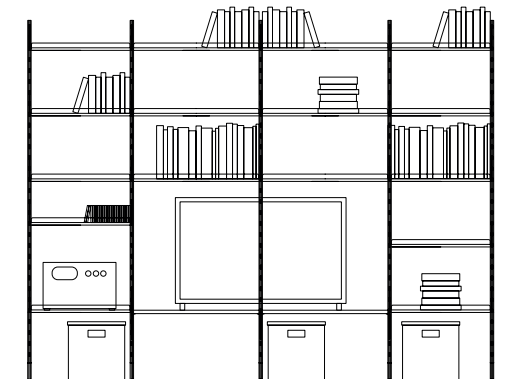
## BOOKSHELVES | FREE FORM

h. 170 cm | l. 273 cm



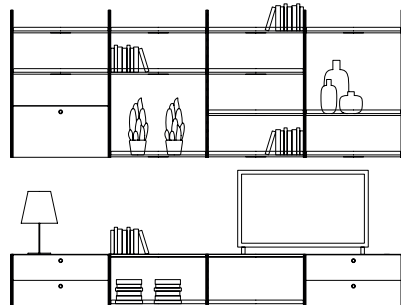
## HI-FI AREA | ONE STRUCTURE

h. 200 cm | l. 273 cm



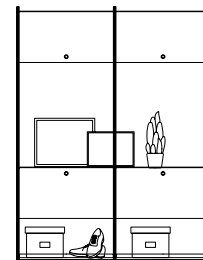
## TV AREA | TWO STRUCTURES

upper unit: h. 115 cm | l. 304 cm  
lower unit: h. 40 cm | l. 304 cm



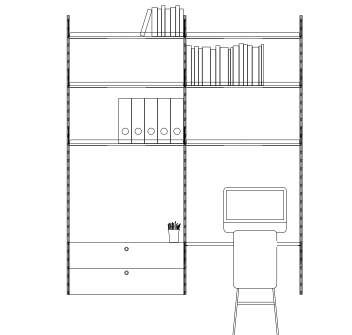
## DOORWAY AREA

h. 198 cm | l. 122 cm



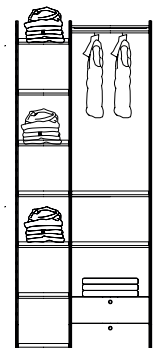
## OFFICE AREA

h. 200 cm | l. 273 cm






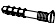
## WARDROBE

h. 249 cm | l. 102 cm





# K1 HARDWARE

HARDWARE	SCRWING TYPE	LENGTH / HEIGHT	DIAMETER
 Wall plugs	-	40 mm	6 mm
 Wall screwa	Philips / flat head	50 mm	thread: 5 mm / head: 7 mm
 Screws for upright's fixing	Philips / flat head	4 mm	thread: 4 mm / head: 7 mm
 Metal expansion wall plugs	-	40 mm	inner: 4 mm

# K1 CLEANING AND CARE TIPS

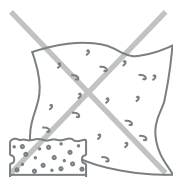
## METAL COMPONENTS



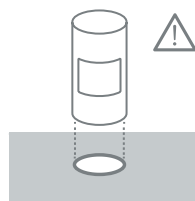
For regular cleaning, use a dish detergent and a wet cloth.



Do not use products that contains acetone, vinegar or ammonia.



Do not use abrasive sponges or cleaning creams that can scratch the surfaces.



Chemical products such as room fragrances can create stains that can permanently damage the surfaces.

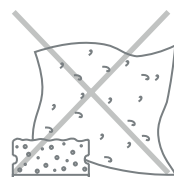
## ELEMENTI IN LEGNO



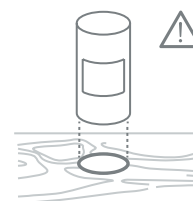
For a regular cleaning use a smooth cloth (wet or dry).



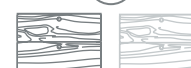
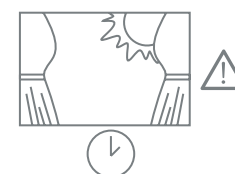
Do not use products that contains acetone, vinegar or ammonia.



Do not use buffers or microfiber clothes that can scratch the surfaces.



Fat stains of vegetal or animal origin and acid liquids such as sodas can permanently damage the surfaces.



Wood is a living material that has natural color and grain variations. Lights and sun rays create color variations over the time.



Surfaces are sealed with a high quality coat. We recommend to not expose the wood components to a too dry or too wet air. Otherwise, and in spite of the coating, the wood pieces could deform.