



Grove Matthew Hilton

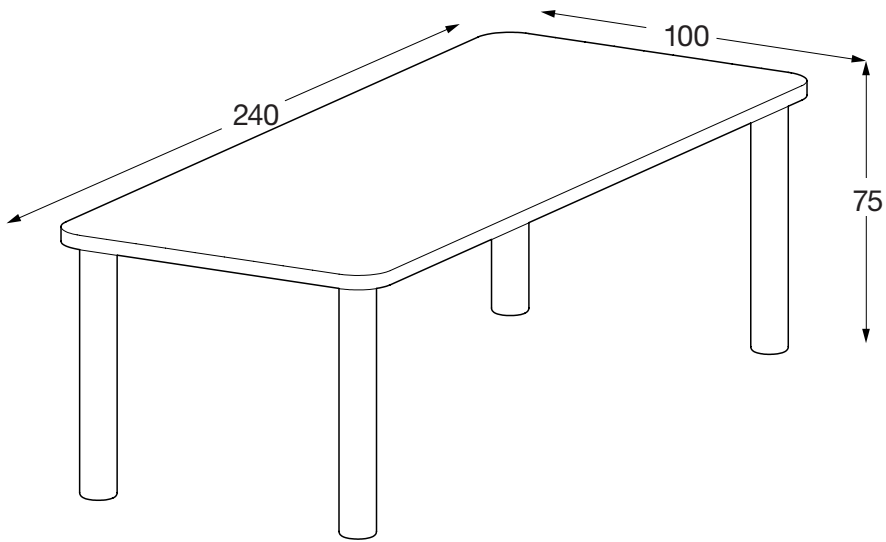
A dining table that is pared down to essential elements. It has large cylindrical legs and a top with gently curved edges. The design is of good scale, and has a poise and stature to it. The details are intentionally reductionist and give the table a modest character.

A versatile and strong design that appears to have legs in the four corners, but they are actually inlaid a little from the edge. This is made possible by a complex joint concealed underneath, which combines a metal plate with custom fixings to create an extremely strong connection.



Made from FSC European oak.
Manufactured in Lithuania, EU.

1



Grove
Matthew Hilton

1 Dining Table