



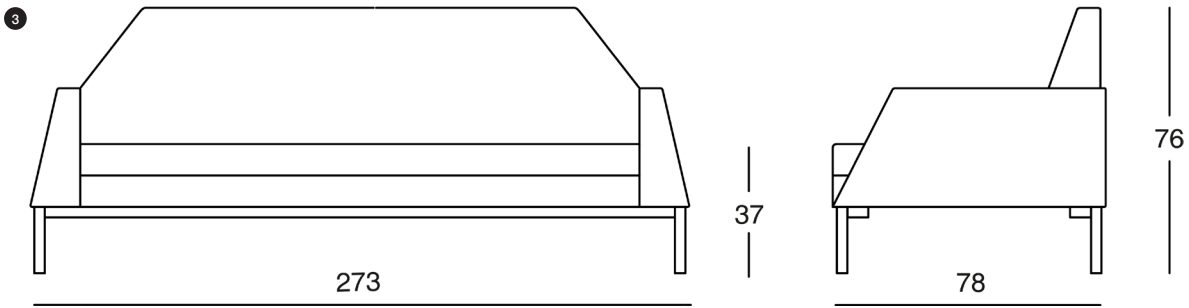
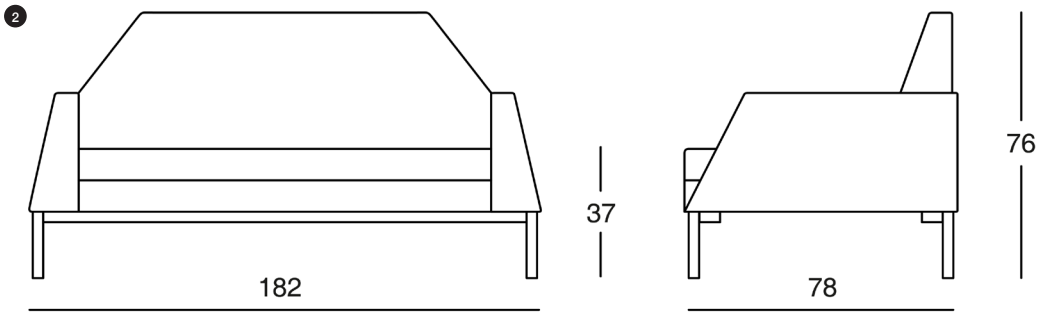
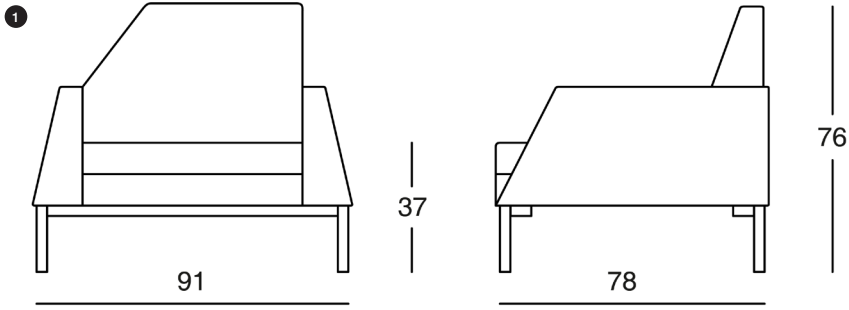
Folk Gareth Neal

An upholstery collection by designer Gareth Neal, produced in collaboration with fashion brand Folk.

Comprised of an armchair and a two and three seat sofa, the collection is fully upholstered in surplus Folk fabric, with the addition of a specially created removable saddle bag, which is made from surplus leather from SCP's specialist upholstery factory in Norfolk.

This project brings together two British companies with a reputation for understated elegance, high-quality manufacturing and idiosyncratic style. The project seeks to explore the possibilities and limitations of cyclic manufacturing, the potential of sharing materials and the need for greater permanence in what we produce.





Folk

Gareth Neal

- 1 Armchair
- 2 2 seat sofa
- 3 3 seat sofa